



### Pressure Switch for neutral gases and liquids

- For neutral gases and liquids
- Models normally open contact, normally closed contact or change-over contact
- Switching point can be adjusted with grub screw



Product variants described in the data sheet may differ from the product presentation and description.

#### Type description

The pressure switch is used to convert adjustable pneumatic signals into electrical signals.



## Table of contents

<b>1. General technical data</b>	<b>3</b>
1.1. Normally open contact, AF19 .....	3
1.2. Normally open/Normally closed contact/changeover contact, AF24 .....	3
1.3. Changeover contact, flange mounting .....	4
<b>2. Dimensions</b>	<b>4</b>
2.1. Normally open contact, AF19 .....	4
2.2. Normally open/Normally closed contact/changeover contact, AF24 .....	5
2.3. Changeover contact, flange mounting .....	5
<b>3. Product operation</b>	<b>5</b>
3.1. Functional overview .....	5
<b>4. Ordering information</b>	<b>6</b>
4.1. Bürkert eShop – Easy ordering and quick delivery .....	6
4.2. Bürkert product filter .....	6
4.3. Ordering chart .....	6
4.4. Ordering chart accessories .....	7

## 1. General technical data

### 1.1. Normally open contact, AF19

Product properties	
<b>Material</b>	
Housing	Brass
Diaphragm	NBR, others on request
Dimensions	More detailed information can be found in the chapter "2. Dimensions" on page 4.
Switching function	Normally open contact
Mechanical life	10 <sup>6</sup>
Protection class	IP00 (IP20, with protection cap)
<b>Electrical data</b>	
Reference voltage	Max. 42 V
Switching current	Max. 2 A
<b>Performance data</b>	
Setting range	1...10 bar
Bursting pressure	20 bar
Switch-back difference	10...15 %
Switching frequency	Max. 200/min.
<b>Medium data</b>	
Medium	Air
Medium temperature	-25 to +85 °C

### 1.2. Normally open/Normally closed contact/changeover contact, AF24

Product properties	
<b>Material</b>	
Housing	Galvanised steel, stainless steel, brass
Diaphragm	<b>Version 1:</b> NBR-Diaphragm <b>Version 2:</b> UR-Dichtung
Dimensions	More detailed information can be found in the chapter "2. Dimensions" on page 4.
Switching function	Normally open contact, normally closed contact or changeover contact
Mechanical life	10 <sup>6</sup>
Design	<b>Version 1:</b> Spring-loaded diaphragm <b>Version 2:</b> Spring-loaded piston
Protection class	IP00 (IP20, with protection cap)
<b>Electrical data</b>	
Reference voltage	Max. 42 V
Switching current	Max. 2 A
<b>Performance data</b>	
Setting range	<b>Version 1:</b> 0,5...2 bar / 1...10 bar <b>Version 2:</b> 10...70 bar / 50...200 bar
Bursting pressure	<b>Version 1:</b> 10 bar / 20 bar <b>Version 2:</b> 120 bar / 300 bar
Switch-back difference	15...25 %
Switching frequency	Max. 200/min.
<b>Medium data</b>	
Medium	Air, hydraulic oil, oil emulsion, water
Medium temperature	-25 to +85 °C

### 1.3. Changeover contact, flange mounting

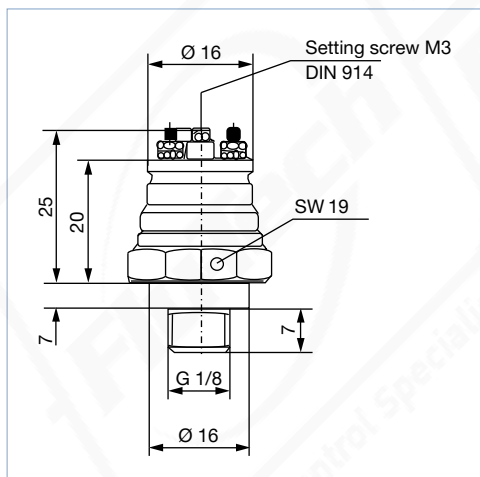
Product properties	
<b>Material</b>	
Housing	Galvanised steel, stainless steel, brass
Diaphragm	<b>Version 1:</b> NBR diaphragm <b>Version 2:</b> UR seal
Dimensions	More detailed information can be found in the chapter <b>"2. Dimensions"</b> on page 4.
Switching function	Changeover contact
Mechanical life	10 <sup>6</sup>
Design	<b>Version 1:</b> Spring-loaded diaphragm <b>Version 2:</b> Spring-loaded piston
Protection class	IP65 cable plug type Type 2518
Electrical data	
Reference voltage	Max. 250 V
Switching current	Max. 5 A
Performance data	
Setting range	<b>Version 1:</b> 0,3...2 bar / 1...10 bar <b>Version 2:</b> 1...70 bar / 50...200 bar
Bursting pressure	<b>Version 1:</b> 20 bar / 20 bar <b>Version 2:</b> 250 bar / 300 bar
Switch-back difference	15...25 %
Switching frequency	Max. 200/min.
Medium data	
Medium	Air, hydraulic oil, oil emulsion, water
Medium temperature	-25 to +85 °C

## 2. Dimensions

### 2.1. Normally open contact, AF19

**Note:**

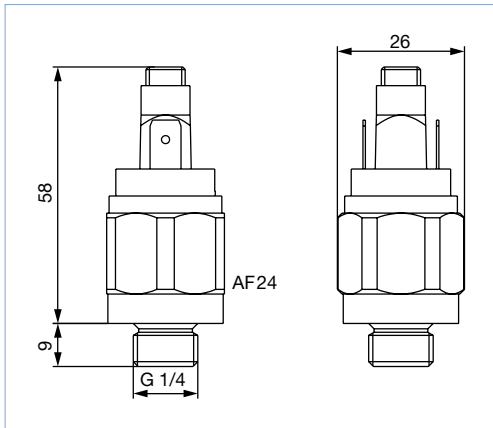
Dimensions in mm



## 2.2. Normally open/Normally closed contact/changeover contact, AF24

**Note:**

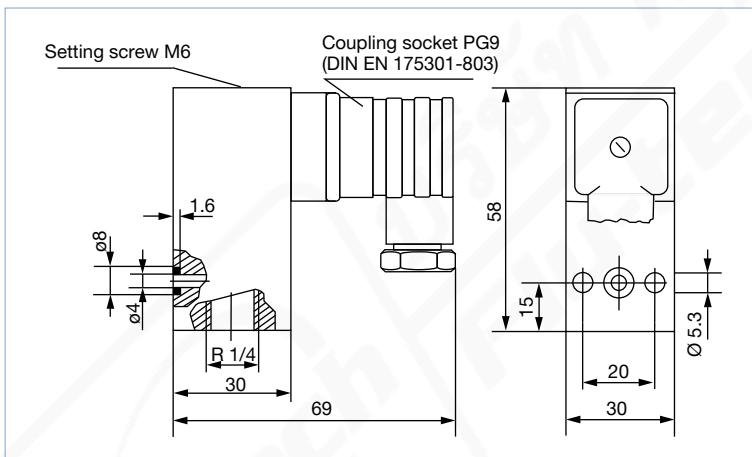
Dimensions in mm



## 2.3. Changeover contact, flange mounting

**Note:**

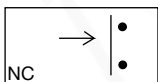
Dimensions in mm



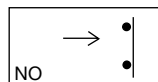
## 3. Product operation

### 3.1. Functional overview

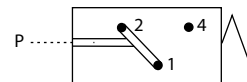
**NO normally open contact**



**NC normally closed contact**




**Changeover contact**



## 4. Ordering information

### 4.1. Bürkert eShop – Easy ordering and quick delivery




**Bürkert eShop – Easy ordering and fast delivery**

You want to find your desired Bürkert product or spare part quickly and order directly? Our online shop is available for you 24/7. Sign up and enjoy all the benefits.

[Order online now](#)

### 4.2. Bürkert product filter



**Bürkert product filter – Get quickly to the right product**

You want to select products comfortably based on your technical requirements? Use the Bürkert product filter and find suitable articles for your application quickly and easily.

[Try out our product filter](#)



### 4.3. Ordering chart

**Note:**

Further versions on request

Size	Version	Setting range	Article no.
AF19	NO - normally open contact	1 ... 10 bar	780494
AF24	NO - normally open contact	0.5 ... 2 bar	772503
		1 ... 10 bar	780496
		10 ... 70 bar	787283
		50 ... 200 bar	787284
	NC - normally closed contact	0.5 ... 2 bar	772500
		1 ... 10 bar	780495
		10 ... 70 bar	787286
	Changeover contact	50 ... 200 bar	787287
		0.5 ... 2 bar	772506
1 ... 10 bar		772515	
Flange mounting	Changeover contact	10 ... 70 bar	772524
		50 ... 200 bar	772536
		0.3 ... 2 bar	784230
		1 ... 10 bar	780499
		10 ... 70 bar	787289
		50 ... 200 bar	787290

## 4.4. Ordering chart accessories

Version	Article no.
Protection cap for AF19 switch	780498 
Protection cap for AF24 switch	780497 
Cable plug Type 2518 for flange mounting switch	315329 