



I/O module, IP20

- Configurable input and output modules for analogue and digital signals
- Integrated diagnostic possibilities such as wire break, short circuit detection
- Installation and disassembly without tools
- Colour-coded push-in connectors to avoid wiring errors
- Available modules: 8DI, 8DO, 4AI, 4AO

Product variants described in the data sheet may differ from the product presentation and description.

Can be combined with

	Type ME43 Fieldbus gateway	▶
	Type 8741 Mass flow controller (MFC)/mass flowmeter (MFM) for gases	▶
	Type 8652 AirLINE - the valve island optimised for process automation	▶
	Type 8316 Pressure measuring device	▶
	Type 6027 Direct-acting 2/2 way plunger valve	▶

Type description

Bürkert I/O modules Type ME44 for extending the fieldbus gateway Type ME43 are used both to capture sensor signals and to specify set-point values or switching operations.

The analogue modules read analogue sensor signals (e.g. from pressure transmitters) or specify analogue set-point values (e.g. for a flow controller). The further processing of input signals, e.g. via a fieldbus to a higher field level, or the targeted output of set-point signals is configured via the fieldbus gateway Type (ME43).

The digital modules can be used for the feedback of switches or the output of switching signals. Once again, a configuration in Type ME43 specifies how these inputs and outputs are processed or controlled.

The I/O modules Type ME44 are plugged onto a so-called backplane, which in turn is connected to the gateway Type ME43. Up to nine modules Type ME44 can be connected via three backplanes to one gateway Type ME43. Electronic modules Type ME43 and ME44 are part of the Bürkert EDIP (Efficient Device Integration Platform) concept. They facilitate the integration of field level devices (e.g. valves or sensors) in the higher control level. All I/Os of the modules comply with IEC 61131-2.

DTS 1000353026 EN Version: N Status: RL (released | freigegeben | validé) printed: 13.04.2023

FLU-TECH CO. LTD.

Email: sales@flutech.co.th **Website:** https://flutech.co.th

Tel: 02-384-6060, 086-369-5871-3 **Fax:** 02-384-5701 **LINE OA:** @flutech.co.th

Address (HQ): 845/3-4, Moo 3, Theparak Rd., T. Theparak, A. Mueang Samut Prakan, Samut Prakan, 10270, Thailand



Table of contents

1. General technical data	3
1.1. I/O-Module.....	3
1.2. 4AI-Module (Analogue input module)	3
1.3. 4AO-Module (Analogue output module)	4
1.4. 8DI-Module (Digital input module)	4
1.5. 8DO-Module (Digital output module, P activated).....	5
2. Dimensions	6
3. Device/Process connections	7
3.1. Electrical assignment and circuit diagram for 4AI module.....	7
3.2. Electrical assignment and circuit diagram for 4AO module.....	7
3.3. Electrical assignment and circuit diagram for 8DI module	8
3.4. Electrical assignment and circuit diagram for 8DO module.....	8
4. Product design and assembly	9
4.1. Product assembly	9
5. Ordering information	9
5.1. Bürkert eShop – Easy ordering and quick delivery	9
5.2. Bürkert product filter	9
5.3. Ordering chart	10
5.4. Ordering chart accessories.....	10

1. General technical data

1.1. I/O-Module

Product properties	
Dimensions	Detailed information can be found in chapter "2. Dimensions" on page .
Weight	0.300 kg
Material	
Body	Polycarbonate
LED Status	RGB LED based on NAMUR NE107, status LEDs per channel
Approvals and certificates	
Zulassung	
CE	Safety
UL	Safety
EMC	EN 61326-1, EN-61000-6-2, EN-61000-6-4
Environment and installation	
Ambient temperature	-20 °C...+60 °C
Storage temperature	-30 °C...+80 °C
Degree of protection	IP20 acc. to EN 60529 / IEC 60529
Height above sea level (environment)	Max. 2000 m

1.2. 4AI-Module (Analogue input module)

Product properties	
Configurable input (AI as DI)	AI can also be used as DI (configuration via Software Tool Communicator ▶)
Diagnosis	Detection of error conditions (at 3.5 mA and 22 mA according to NAMUR NE43) Detection of an interruption in current input (open loop)
Safety	Reverse polarity protection, protection against over voltage (up to at least ±30 V)
Electrical data	
Electrical version	Current input or voltage input
Operating voltage	24 V DC +/- 10 % (via Backplane BPX3)
Cross-section of connectable conductors	0.20...1.5 mm ² / AWG 16...24
Operating mode	0...20 mA 4...20 mA 0...10 V 0...5 V 0...2 V
Accuracy	±0.1 % Full Scale Range (FSR) Temperature coefficient: Current input: ±35 ppm FSR/K Voltage input: ±40 ppm FSR/K
Input impedance	Current measurement at 25 °C ≤ 110 Ohm Voltage measurement at 25 °C ≥ 115 kOhm
Maximum sensor supply	50 mA per channel
Max. current of module	25 mA
Electrical isolation	For system bus on backplane, no separation between the inputs, all channels have a common reference potential

1.3. 4AO-Module (Analogue output module)

Product properties	
Diagnosis	Short-circuit detection for voltage output (max. 16 mA) Detection of an interruption in current input (open loop)
Safety	Protection against over voltage (up to at least ± 30 V)
Electrical data	
Electrical version	Current output or voltage output
Operating voltage	24 V DC +/- 10 % (via Backplane BPX3)
Conductor connection cross section	0.20...1.5 mm ² / AWG 16...24
Operating mode	0...20 mA 4...20 mA 0...10 V 0...5 V 0...2 V
Loop impedance	<900 Ohm for current output
Accuracy	± 0.1 % FSR Temperature coefficient: 14 ppm FSR/K Zero-Scale Error: +0.22 % FSR
Max. current per output channel	50 mA at 900 Ohm load and current output (with smaller load the current also decreases)
Electrical isolation	For system bus on backplane, no separation between the inputs, all channels have a common reference potential

1.4. 8DI-Module (Digital input module)

Product properties	
Diagnosis	Open-circuit detection with 2-wire sensors, short-circuit detection with 3-wire sensors
Safety	Protection against over voltage (up to at least ± 30 V)
Electrical data	
Electrical version	2-wire sensor, 3-wire sensor, mechanical limit switches (all inputs can be configured as frequency inputs)
Operating voltage	24 V DC +/- 10 % (via Backplane BPX3)
Conductor connection cross section	0.20...1.5 mm ² / AWG 16...24
Switching threshold	$V_{OFF} = 0...5$ V $V_{ON} = 10...30$ V
Input current of V_{ON} , typ. 24 V DC	Max. 5.7 mA per channel
Input type	Type1 and Type3 acc. to IEC 61131-2
Number of frequency inputs	8
Frequency input	Max. to 2.5 kHz
Input impedance	>4 kOhm
Sampling time/sampling frequency	1 ms...4 s / 0.25 Hz...1 kHz
Max. sensor power supply	8x 30 mA
Max. current consumption of module	30 mA
Electrical isolation	No, all channels have a common reference potential

1.5. 8DO-Module (Digital output module, P activated)

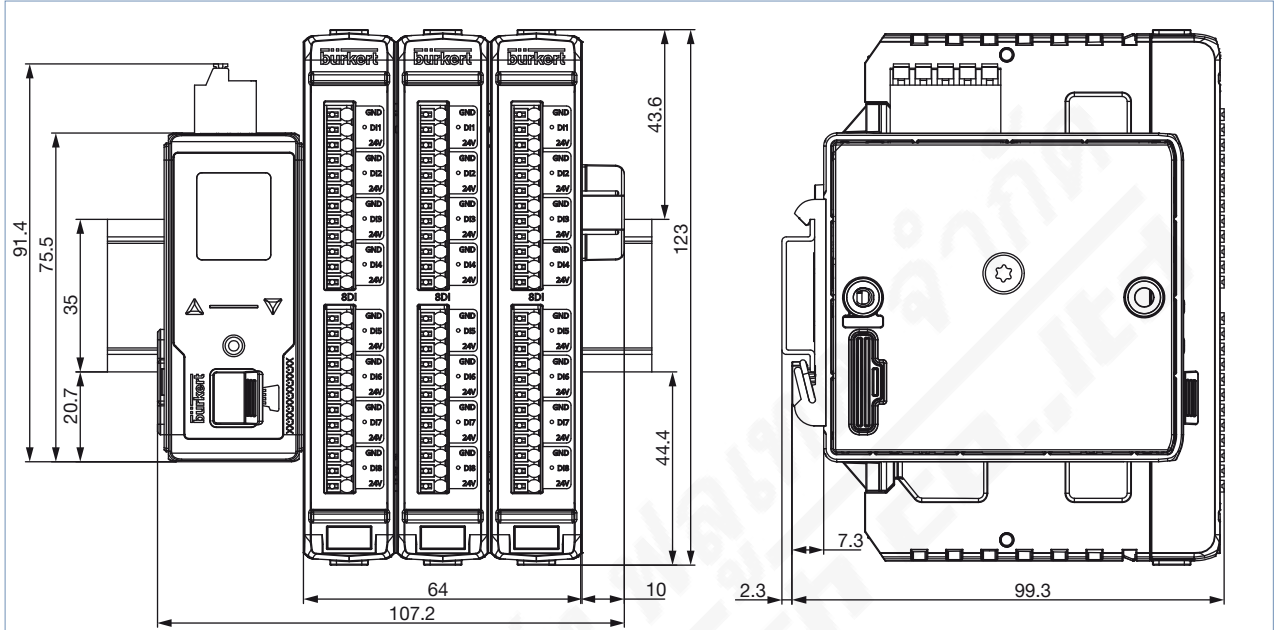
Product properties	
Diagnosis	Short-circuit detection
Safety	Protection against over voltage (up to at least ± 30 V)
Electrical data	
Electrical version	Voltage output
Operating voltage	24 V DC \pm 10 % (via Backplane BPX3)
Conductor connection cross section	0.20...1.5 mm ² / AWG 16...24
Operating mode	ON/OFF Switching signal with configured limit in ME43 PWM (Pulse Width Modulation) PFM (Pulse Frequency Modulation)
Running frequency	20 kHz configurable
Max. AUX current consumption	8 x 750 mA
Max. module current consumption	30 mA
Electrical isolation	For system bus on backplane, no separation between the inputs, all channels have a common reference potential

2. Dimensions

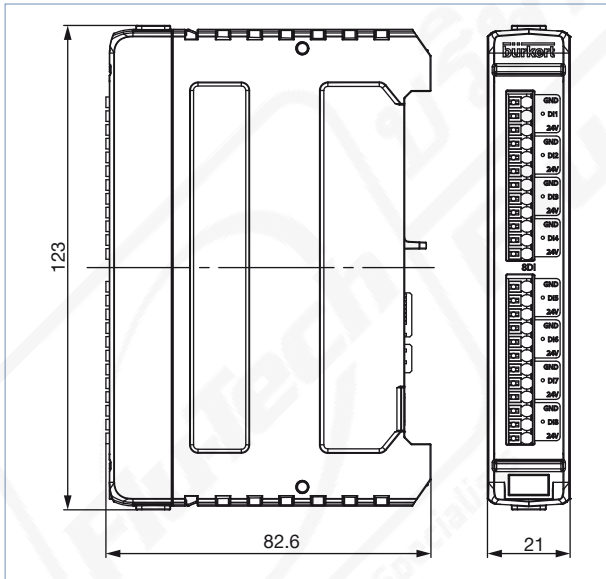
Note:

Dimensions in mm

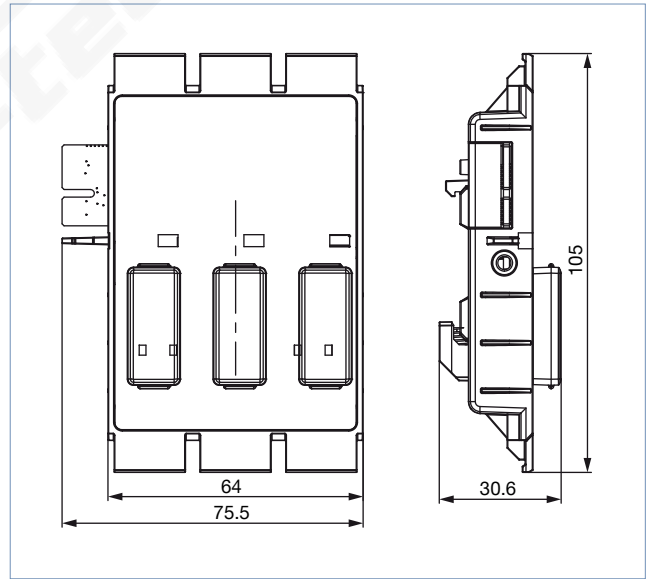
3 IO modules on 3-fold backplane to gateway Type ME43



IO module



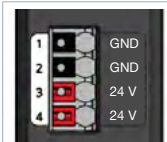
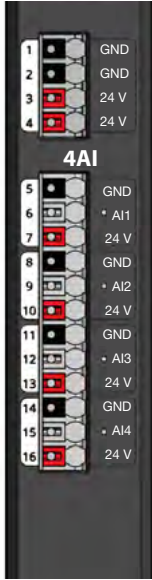
3-fold backplane



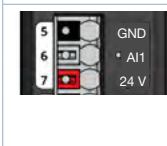
3. Device/Process connections

3.1. Electrical assignment and circuit diagram for 4AI module

AUX-Power is used for the power supply of the AI channels. A second AUX-Power connection can be used to supply another module.



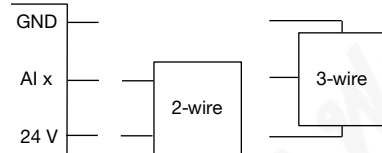
Pin assignment for AUX Power	Outer circuitry
GND	Ground
GND	Ground
24 V	AUX power supply voltage 24 V $\pm 10\%$
24 V	AUX power supply voltage 24 V $\pm 10\%$



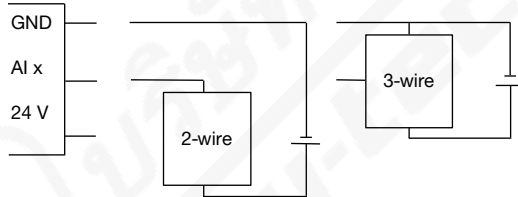
Pin assignment for analogue inputs	Outer circuitry
GND	Ground
AI1-AI4	Analogue input+
24 V	Supply voltage Output 24 V

Circuit diagram:

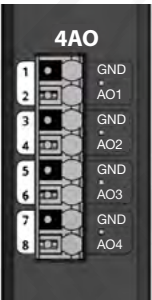
Internally powered (sensor is supplied via this module)



Externally powered (sensor is not supplied via module, but from another source)

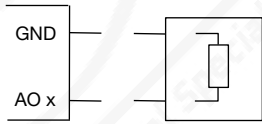


3.2. Electrical assignment and circuit diagram for 4AO module



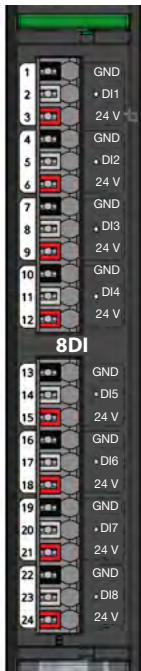
Pin assignment for analogue inputs	Outer circuitry
GND	Ground
AO1-AO4	Analogue output+

Circuit diagram:



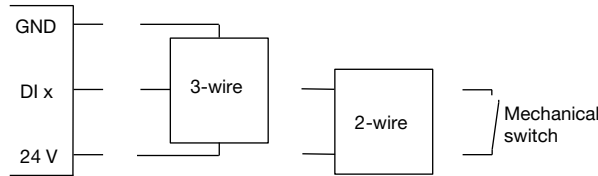
DTS 1000353026 EN Version: N Status: RL (released | freigegeben | validé) printed: 13.04.2023

3.3. Electrical assignment and circuit diagram for 8DI module



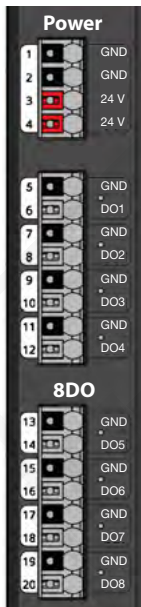
Pin assignment of analogue inputs		Outer circuitry
1	GND	Ground
2	DI1	Digital input
3	24 V	Power supply Output 24 V

Circuit diagram:



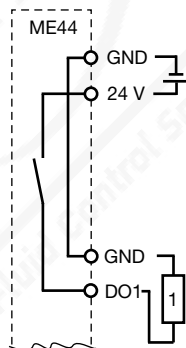
3.4. Electrical assignment and circuit diagram for 8DO module

AUX-Power is used for the power supply of the DO channels. A second AUX-Power connection can be used to supply another module.



Pin assignment for AUX Power		Outer circuitry
1	GND	Ground
2	GND	Ground
3	24 V	AUX power supply voltage 24 V ± 10 %
4	24 V	AUX power supply voltage 24 V ± 10 %
Pin assignment of digital outputs		Outer circuitry
5	GND	Ground
6	DO1	Digital output+

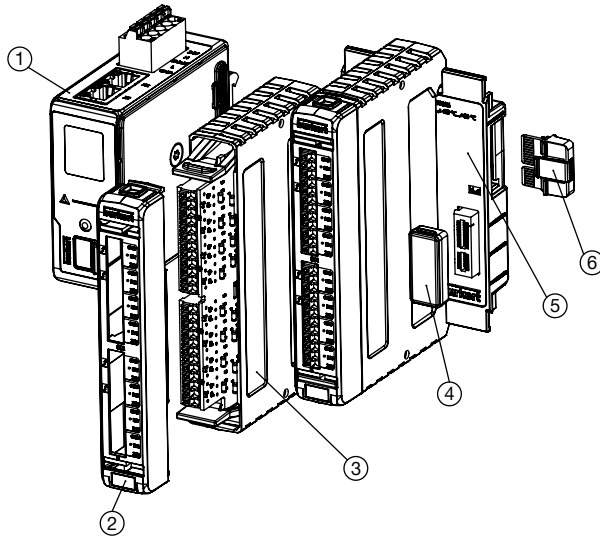
Circuit diagram:



DTS 1000353026 EN Version: N Status: RL (released | freigegeben | valide) printed: 13.04.2023

4. Product design and assembly

4.1. Product assembly



No.	Designation
1	Fieldbus gateway ME43
2	Connection panel of ME44
3	I/O-Module ME44
4	Cover for module slot of backplane
5	Backplane (3-fold) BPX3
6	Termination resistor

5. Ordering information

5.1. Bürkert eShop – Easy ordering and quick delivery



Bürkert eShop – Easy ordering and fast delivery

You want to find your desired Bürkert product or spare part quickly and order directly? Our online shop is available for you 24/7. Sign up and enjoy all the benefits.

[Order online now](#)

5.2. Bürkert product filter








Bürkert product filter – Get quickly to the right product










You want to select products comfortably based on your technical requirements? Use the Bürkert product filter and find suitable articles for your application quickly and easily.

[Try out our product filter](#)

5.3. Ordering chart

Description	Article no.
8 x digital inputs: 8DI module (ME44)	354316 
8 x digital outputs: 8DO module (ME44)	354317 
4 x analogue inputs: 4AI module (ME44)	354321 
4 x analogue outputs: 4AO module (ME44)	354325 
Backplane System Connect Type BPX3	307510 

5.4. Ordering chart accessories

Description	Article no.
Termination resistor (ready to plug in)	303833 
Power supply unit Type 1573 for DIN rail, 100...240 V AC / 24 V DC, 1.25 A, NEC Class 2 (UL 1310)	772438 
Power supply unit Type 1573 for DIN rail, 100...240 V AC / 24 V DC, 1 A, NEC Class 2 (UL 1310)	772361 
Power supply unit Type 1573 for DIN rail, 100...240 V AC / 24 V DC, 2 A, NEC Class 2 (UL 1310)	772362 
Power supply unit Type 1573 for DIN rail, 100...240 V AC / 24 V DC, 4 A	772363 
Micro SD card	774087 
büS stick set 1 (incl. cable (M12), stick with integrated terminating resistor, power supply and software) ¹⁾	772426 
büS stick set 2 (incl. cable (M12)), stick with integrated terminating resistor ¹⁾	772551 
Bürkert Communicator Software	LINK 

1) For space reasons, M12 single connectors may not be suitable for simultaneous use on the same side of a Y-distributor. In this case, please use a commercially available overmolded cable.