



2/2 way Plunger-Solenoid Valve with separating diaphragm

- Compact design
- Low electrical power consumption
- Short response times
- Hermetically sealing isolating diaphragm
- Non-metallic valve internals



Product variants described in the data sheet may differ from the product presentation and description.

Type description

Type 117 is a normally-closed direct-acting plunger-type solenoid valve with PTFE-coated diaphragm. The diaphragm isolates the fluid from the solenoid system. When deenergized (in circuit function A) the valve is closed by spring action. When energized, the solenoid armature is drawn in 2/2 way, G 1/8, UNF 1/4-28 FluidControl Systems against a spring to open the valve. The solenoid epoxy encapsulation efficiently dissipates the heat generated by the coil.



FLU-TECH CO. LTD.

Email: sales@flutech.co.th **Website:** <https://flutech.co.th>

Tel: 02-384-6060, 086-369-5871-3 **Fax:** 02-384-5701 **LINE OA:** @flutech.co.th

Address (HQ): 845/3-4, Moo 3, Theparak Rd., T. Theparak, A. Mueang Samut Prakan, Samut Prakan, 10270, Thailand

Table of contents

1. General technical data	3
2. Circuit functions	3
3. Materials	4
3.1. Chemical Resistance Chart – Bürkert resistApp.....	4
3.2. Material specifications.....	4
4. Dimensions	5
5. Ordering information	6
5.1. Bürkert eShop – Easy ordering and quick delivery.....	6
5.2. Bürkert product filter.....	6
5.3. Ordering chart.....	6
5.4. Ordering chart accessories.....	7

1. General technical data

Product characteristics

Materials

Body	ETFE (TEFZEL)
Seal	PTFE with EPDM PTFE with FKM

Max. viscosity	21 mm ² /s
Nominal operating mode	Continuous operation (duty cycle 100 %)
Protection class with cable plug	IP65

Electrical data

Operating voltages	12 V DC, 12 V DC battery, 24 V DC, 24 V UC, 220...230 V UC
Voltage tolerance	± 10 %
Electrical connections	Standard delivery: Cable plug DIN 43 650 Form B, 0...250 V, wires 300 mm length

Performance data

Response time

Opening	Approx. 20 ms
Closing	Approx. 20 ms
Electrical power consumption	4 W
Switching frequency	Up to 300 c.p.m.

Media data

Medium

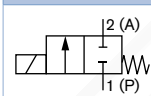
PTFE/EPDM	Alkalis, mineral acids and organic acids, washing and bleaching lyes
PTFE/FKM	Oxidising acids and lyes, saline solutions, oils and waste gases
Medium temperature	- 10 °C...+70 °C

Environment and installation

Max. ambient temperature	Max. + 55 °C
Installation position	Any, preferably with solenoid actuator face up

2. Circuit functions

Circuit function

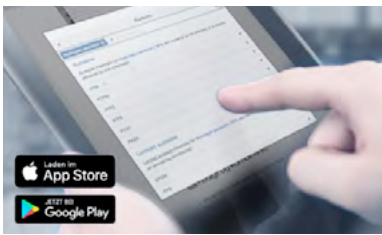


Description

Type: A, Solenoid valve
2/2 way
Direct-acting
Normally closed

3. Materials

3.1. Chemical Resistance Chart – Bürkert resistApp

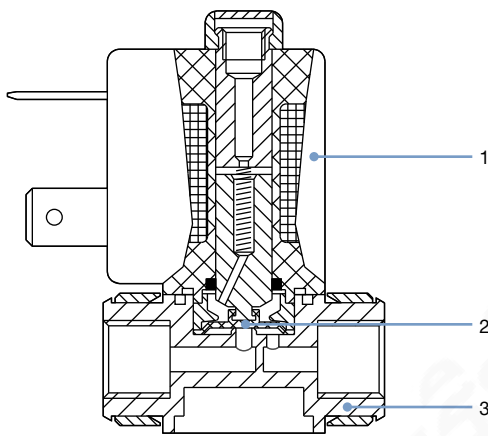


Bürkert resistApp – Chemical Resistance Chart

You want to ensure the reliability and durability of the materials in your individual application case? Verify your combination of media and materials on our website or in our resistApp.

[Start Chemical Resistance Check](#)

3.2. Material specifications



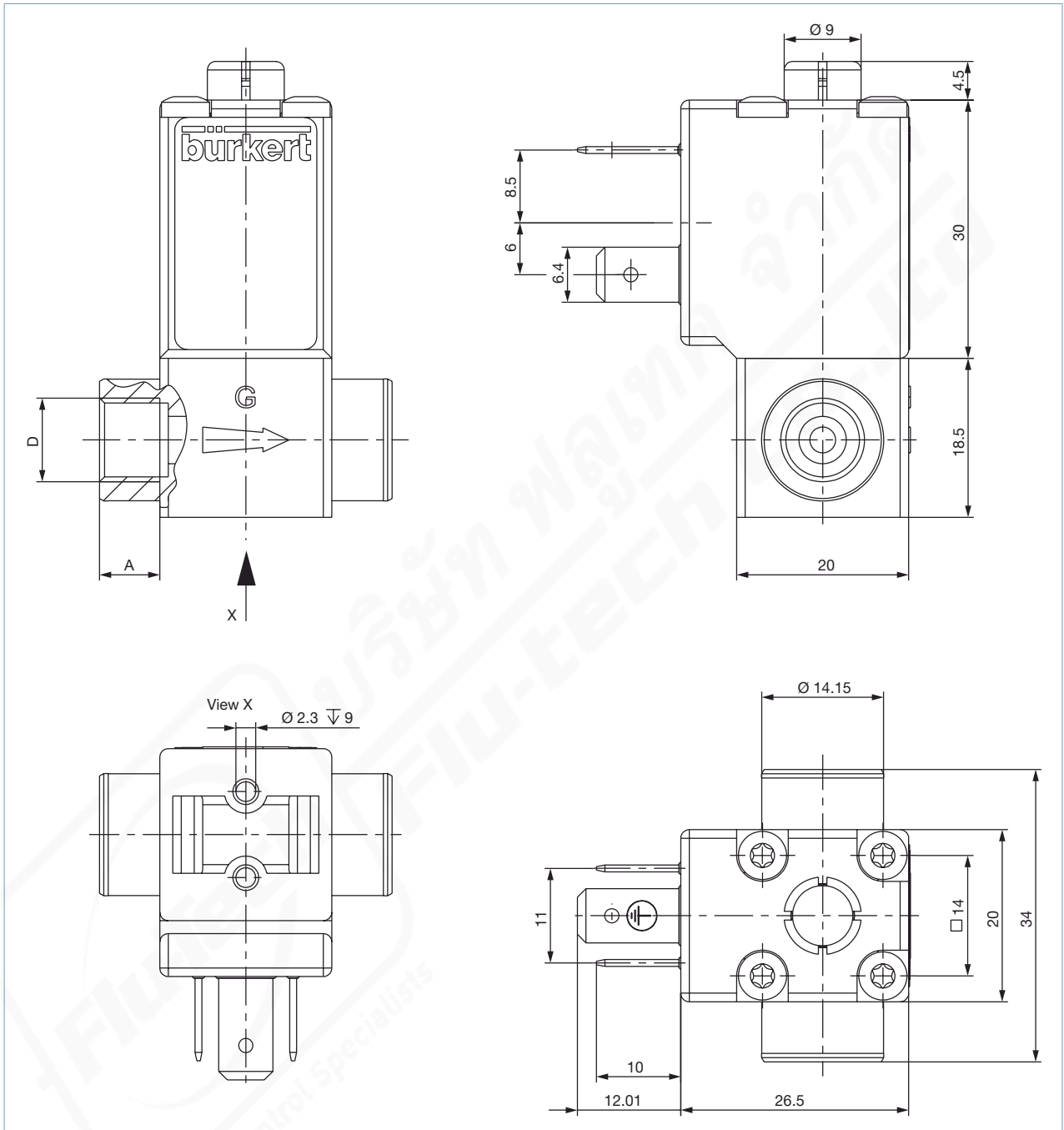
No.	Element	Material
1	Body	Epoxide
2	Separating diaphragms	PTFE/FKM, PTFE/EPDM
3	Valve body	ETFE (TEFZEL)

DTS 1000010903 EN Version: H Status: RL (released | freigegeben | validé) printed: 22.05.2019

4. Dimensions

Note:

D = G 1/8, UNF and NPT




D	A
G 1/8	8
NPT 1/8	7
UNF 1/4...28	8

DTS 1000010903 EN Version: H Status: RL (released | freigegeben | validé) printed: 22.05.2019

5. Ordering information

5.1. Bürkert eShop – Easy ordering and quick delivery

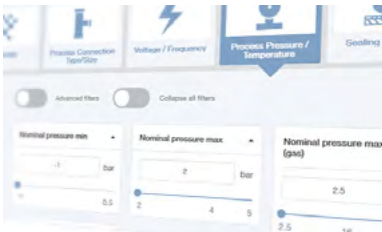


Bürkert eShop – Easy ordering and fast delivery

You want to find your desired Bürkert product or spare part quickly and order directly? Our online shop is available for you 24/7. Sign up and enjoy all the benefits.

[Order online now](#)

5.2. Bürkert product filter



Bürkert product filter – Get quickly to the right product

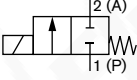
You want to select products comfortably based on your technical requirements? Use the Bürkert product filter and find suitable articles for your application quickly and easily.

[Try out our product filter](#)

5.3. Ordering chart

Note:

- All valves with ETFE body (TEFZEL)
- Please note that the cable plug must be ordered separately, see **“5.4. Ordering chart accessories”** on page 7 or separate data sheet for **Type 2507** ▶.

Circuit function	Nominal diameter	Port connection	K _v value water [m ³ /h]	Pressure range [bar]	Seal material	Voltage/Frequency	Article no.	
	[mm]					[V/Hz]		
A, Solenoid valve 2/2 way direct acting normally closed 	1.2	G 1/8	0.045	0...2	PTFE/FKM	24/UC	064929	
	1.6	G 1/8	0.06	0...1.5	PTFE/EPDM	24/DC	057606	
						24/UC	058206	
						PTFE/FKM	12 V DC battery	085529
						24/DC	056664	
						24/UC	041763	
	2.0	G 1/8	0.09	0...1.0	PTFE/EPDM	220...230/UC	057839	
						24/DC	043698	
						24/UC	068170	
					PTFE/FKM	220...230/UC	021301	
						24/DC	040947	
						24/UC	058062	
220...230/UC						021186		
2.4	G 1/8	0.10	0...1.0	PTFE/EPDM	24/DC	056878		
					24/UC	021352		
					220...230/UC	022140		
				PTFE/FKM	12/DC	042215		
					24/DC	056535		
24/UC	047399							
220...230/UC	056630							

5.4. Ordering chart accessories

Note:

- Delivery of cable plug includes a flat seal and a fixing screw in steel (thick-film passivated).
- For other cable plug versions see separate data sheet for **Type 2507** ▶.

Description		Article no.
Cable plug		
None (standard)	0...250 V AC/DC	423845 ☒
With LED	24 V UC	423849 ☒