



10 mm socket for Bürkert small solenoid valves

- Installation width 10 mm
- Cable and stranded wire version available
- Contact clearance in grid dimension 2.54 mm
- Latching



Product variants described in the data sheet may differ from the product presentation and description.

Can be combined with

	Type 6144 ▶ 3/2-way flipper solenoid valve, direct-acting
	Type 0127 ▶ Direct-acting 2/2 or 3/2 way Rocker-Solenoid Valve with separating diaphragm
	Type 6628 ▶ 2/2 or 3/2 way Twin-Power Rocker-Solenoid Valve with separating diaphragm
	Type 6624 ▶ 2/2 and 3/2 way Bürkert TwinPower rocker solenoid valve with separating diaphragm

Type description

Plug connection with latching lug for contacting Bürkert solenoid valves with rectangular plug connector. This robust and affordable plug connection has become well established for all Bürkert small solenoid valves in the fields of analysis technology and process pneumatics. Besides stranded wire and cable versions, push-in connectors for printed circuit board (PCB) installation are also available.

DTS 1000274823 EN Version: E Status: RL (released | freigegeben | validé) printed: 15.12.2020

FLU-TECH CO. LTD.

Email: sales@flutech.co.th **Website:** <https://flutech.co.th>

Tel: 02-384-6060, 086-369-5871-3 **Fax:** 02-384-5701 **LINE OA:** @flutech.co.th

Address (HQ): 845/3-4, Moo 3, Theparak Rd., T. Theparak, A. Mueang Samut Prakan, Samut Prakan, 10270, Thailand



Table of contents

1. General Technical Data	3
2. Product versions	3
3. Dimensions	4
3.1. Cable version with straight push-in connector	4
3.2. Cable version with angled push-in connector	5
3.3. Flying leads version	6
3.4. Push-in connector for PCB mounting.....	7
4. Ordering information	8
4.1. Bürkert eShop – Easy ordering and quick delivery.....	8
4.2. Bürkert product filter.....	8
4.3. Ordering chart.....	8
Cable version with straight Push-in connector	8
Cable version with angled Push-in connector	8
Flying leads version	8
Push-in connector for self-assembly.....	8
Push-in connector for PCB mounting.....	8

1. General Technical Data

Product properties	
Dimensions	Detailed information can be found in chapter "3. Dimensions" on page 4.
Material	
Body	Cable version with straight push-in connector: POM and PA Cable version with angled push-in connector: ABS Flying leads version: POM PCB mounting: PA
Contact	Brass gilded
Coating	PVC
External cable diameter	Cable version with straight push-in connector: approx. 4.1 mm (2 pin), approx. 4.2 mm (3 pin) Cable version with angled push-in connector: approx. 3.3 mm Flying leads version: approx. 1.35 mm (0.14 mm ²), approx. 1.5 mm (0.25 mm ²)
Core cross-section	Cable version with straight push-in connector: 0.25 mm ² Cable version with angled push-in connector: 0.14 mm ² Flying leads version: 0.14 mm ² oder 0.25 mm ²
Cable outlet	Straight or angled
Locking	Yes
Cable ends	Cable version with straight push-in connector: end ferrule Cable version with angled push-in connector: not stripped Flying leads version: blank
Minimum bending radius	
Cable version	Single bend: 10 x outer diameter Multiple bending: 15 x outer diameter
Flying leads version	Single bend: 5 x outer diameter Multiple bending: 10 x outer diameter
Electrical data	
Nominal voltage	0...50 V AC/DC
Maximum current rating	1 A
Contact resistance	Approx. 20 mOhm
Environment and installation	
Degree of protection	IP30
Ambient temperature	-10...80°C

2. Product versions

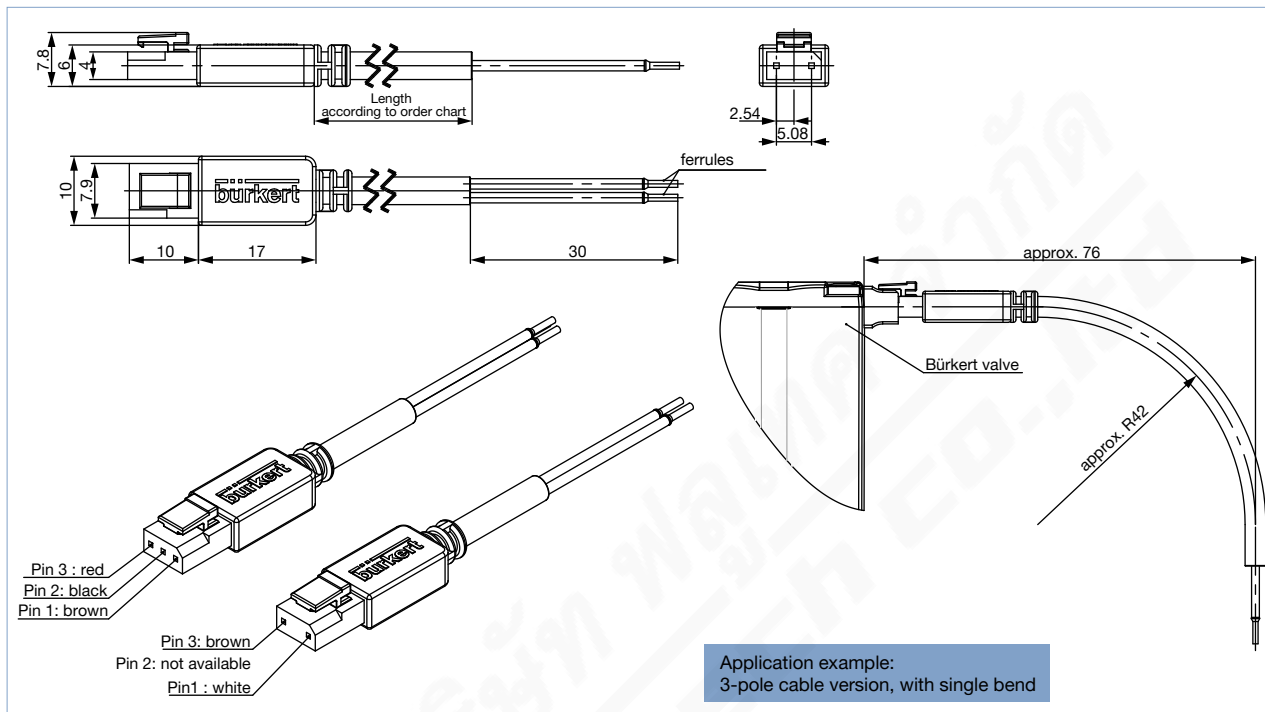
Cable version with straight push-in connector (coating color grey)	Cable version with straight push-in connector (coating color black)	Cable version with angled push-in connector
Flying leads version	Push-in connector for self-assembly	Push-in connector for PCB mounting

3. Dimensions

3.1. Cable version with straight push-in connector

Note:

Dimensions in mm



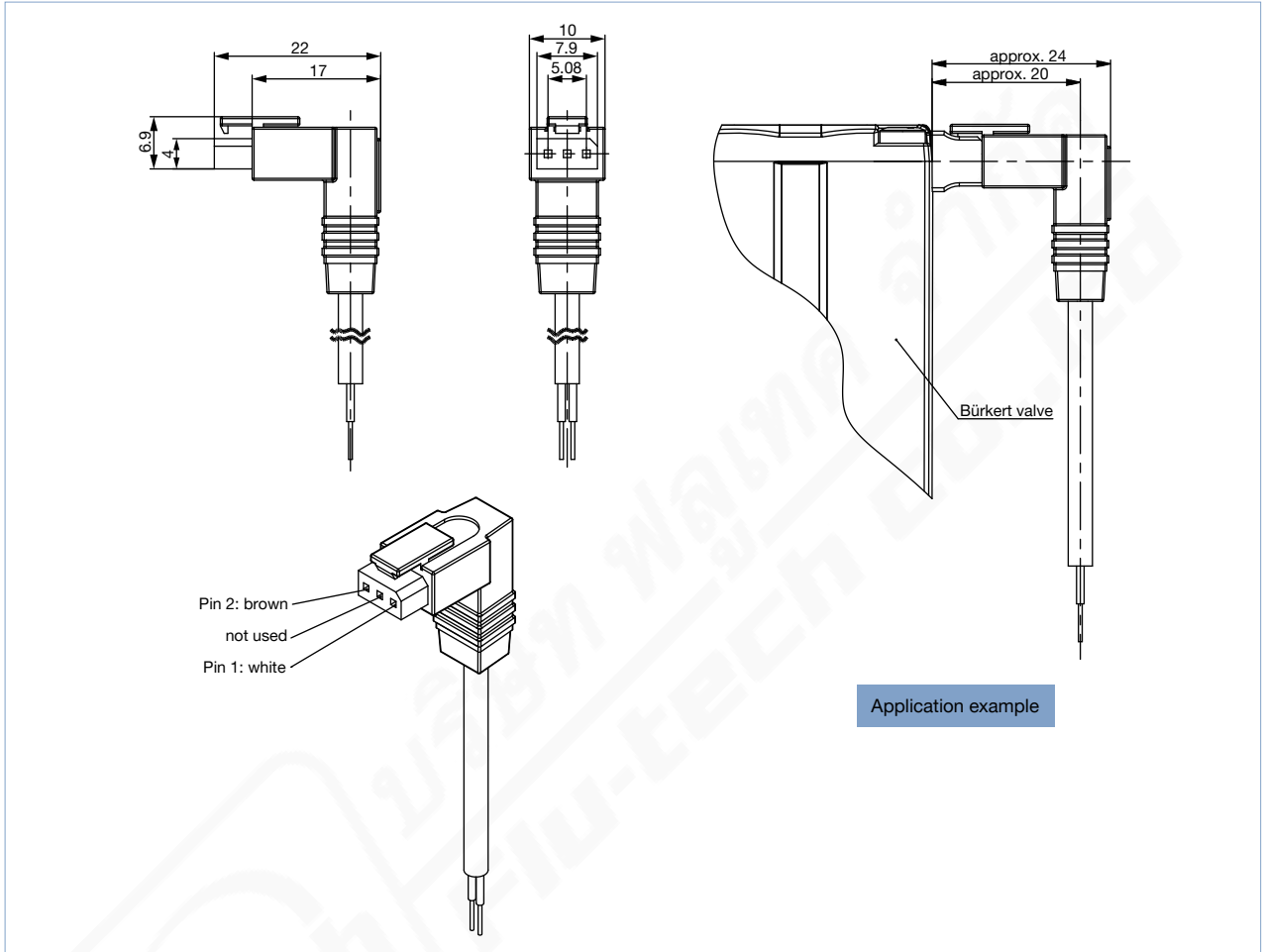
Description	Cable length	Article no.
2 pin push-in connector, coating color grey		
	0.5 m	260807
	3.0 m	252572
	5.0 m	255194
3 pin push-in connector, coating color black		
	0.5 m	260833
	3.0 m	252573


DTS 1000274823 EN Version: E Status: RL (released | freigegeben | validé) printed: 15.12.2020

3.2. Cable version with angled push-in connector

Note:

- Dimensions in mm
- Plug with cable outlet at the top on request

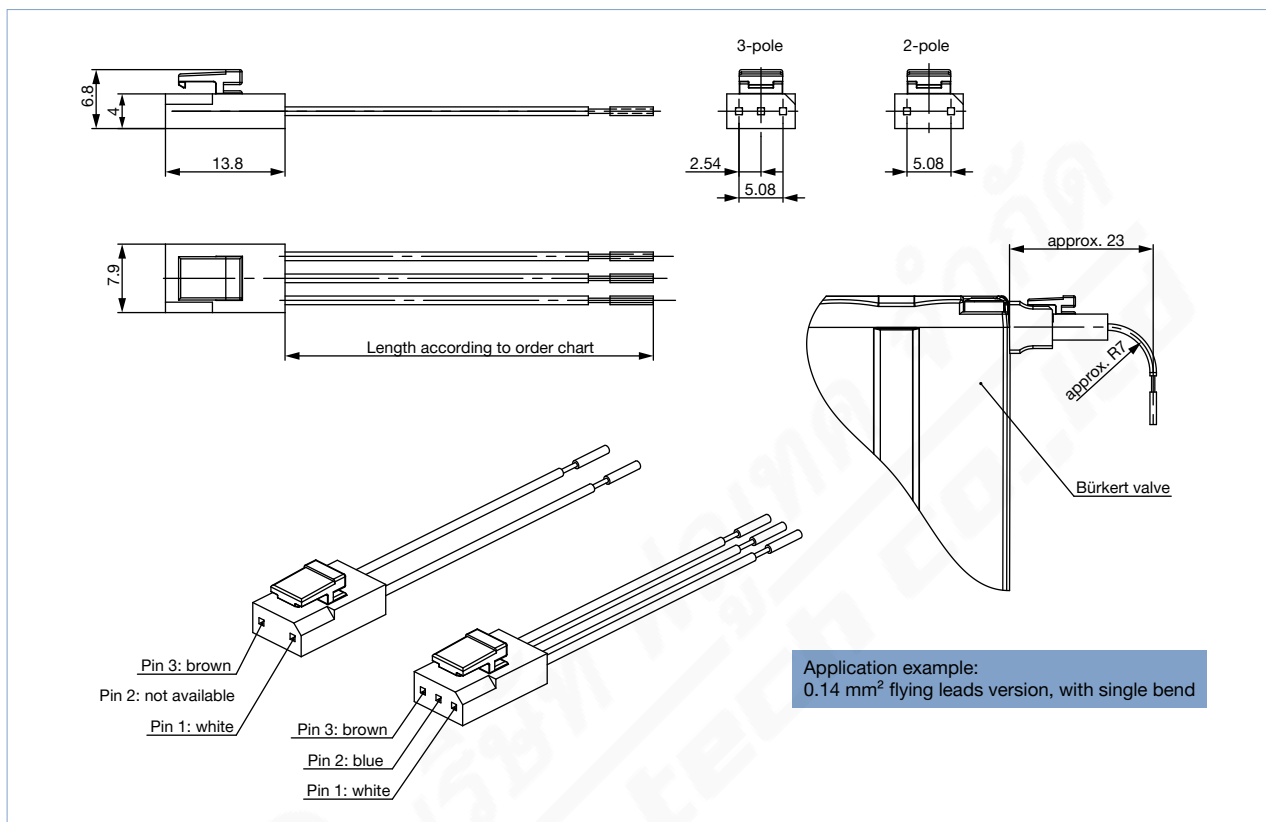


Description	Cable length	Article no.
 2 pin push-in connector, coating color grey	3.0 m	381035
	5.0 m	auf Anfrage

DTS 1000274823 EN Version: E Status: RL (released | freigegeben | valide) printed: 15.12.2020

3.3. Flying leads version

Note:
Dimensions in mm



Application example:
0.14 mm² flying leads version, with single bend

Flying leads version

Description	Core cross-section	Flying leads length	Number of terminals	Article no.
Push-in connector with single flying leads				
	0.14 mm ²	300 mm	2	644068
		600 mm	2	162144
		300 mm	3	212968
	0.25 mm ²	300 mm	2	262346
		600 mm	2	262351
		300 mm	3	262350

Connector self-assembly

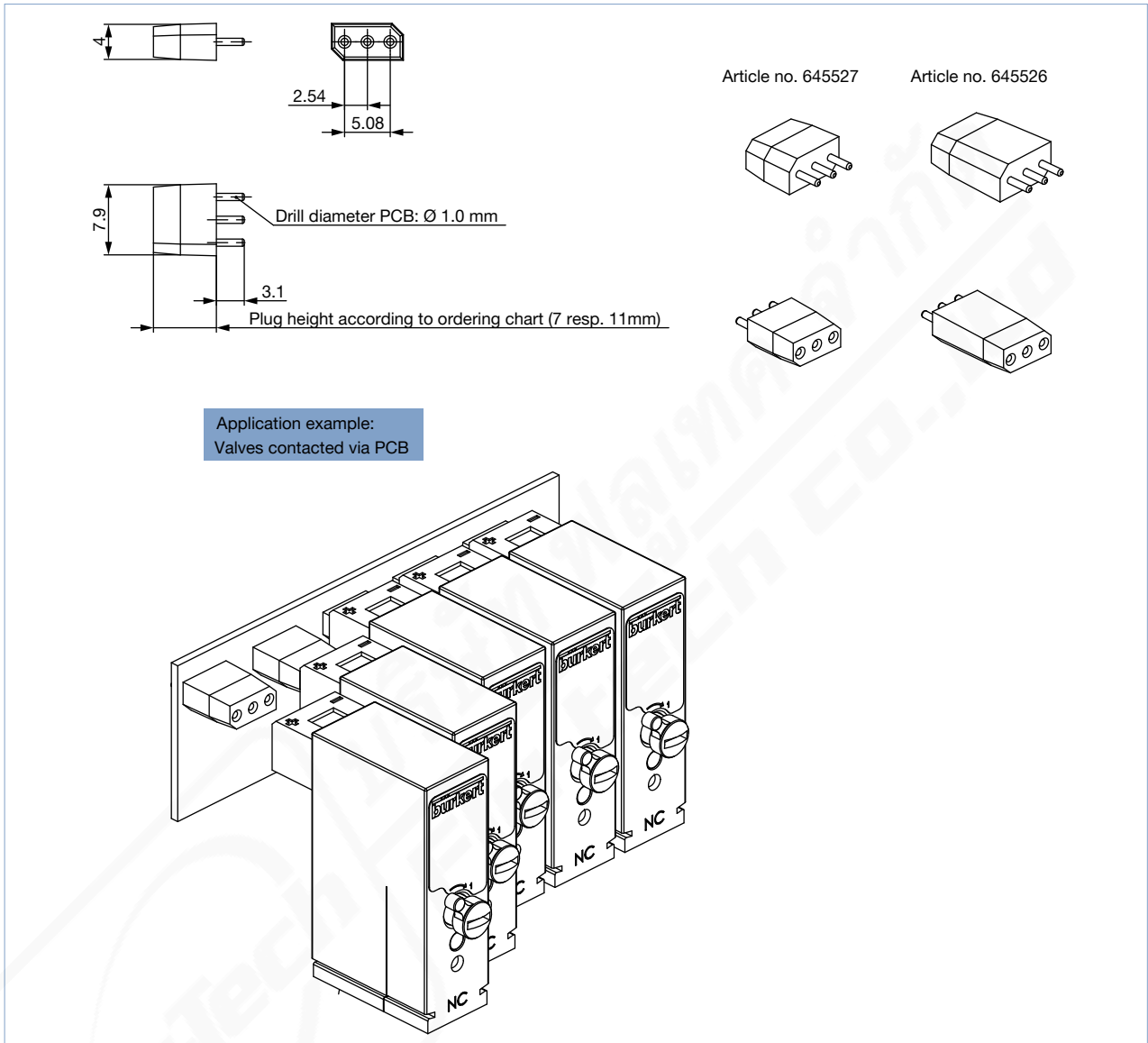
Description	Suitable for core cross-section	Number of terminals	Article no.
Push-in connector housing, locking, with loose crimp contacts			
	0.08...0.34 mm ² (corresponds to AWG 28 - AWG 22)	2	644067


DTS 1000274823 EN Version: E Status: RL (released | freigegeben | valide) printed: 15.12.2020

3.4. Push-in connector for PCB mounting

Note:

Dimensions in mm



Description	Mated height	Article no.
 3 pin push-in connector, grid dimension 2.54 mm, non-locking	7 mm	645527
	11 mm	645526

DTS 1000274823 EN Version: E Status: RL (released | freigegeben | valide) printed: 15.12.2020

4. Ordering information

4.1. Bürkert eShop – Easy ordering and quick delivery



Bürkert eShop – Easy ordering and fast delivery

You want to find your desired Bürkert product or spare part quickly and order directly? Our online shop is available for you 24/7. Sign up and enjoy all the benefits.

[Order online now](#)

4.2. Bürkert product filter



Bürkert product filter – Get quickly to the right product

You want to select products comfortably based on your technical requirements? Use the Bürkert product filter and find suitable articles for your application quickly and easily.

[Try out our product filter](#)

4.3. Ordering chart

Cable version with straight Push-in connector

Detailed ordering information can be found in chapter [“3.1. Cable version with straight push-in connector”](#) on page 4.

Cable version with angled Push-in connector

Detailed ordering information can be found in chapter [“3.2. Cable version with angled push-in connector”](#) on page 5.

Flying leads version

Detailed ordering information can be found in chapter [“3.3. Flying leads version”](#) on page 6.

Push-in connector for self-assembly

Detailed ordering information can be found in chapter [“3.3. Flying leads version”](#) on page 6.

Push-in connector for PCB mounting

Detailed ordering information can be found in chapter [“3.4. Push-in connector for PCB mounting”](#) on page 7.