




### Plunger valve 3/2 way direct-acting

- 3/2 way seat valve direct-acting
- Push-over coil system
- Medium temperature up to +180°C
- For liquid and gaseous media



Product variants described in the data sheet may differ from the product presentation and description.

#### Can be combined with

- 
**Type 1087** ▶  
 Timer, form A according to DIN EN 175301 - 803
- 
**Type 2518** ▶  
 Cable plug, form A according to DIN EN 175301-803

#### Type description

Direct-acting plunger solenoid valve Type 0355 for controlling hot media such as steams, oils and gases



## Table of contents

<b>1. General technical data</b>	<b>3</b>
<b>2. Circuit functions</b>	<b>3</b>
<b>3. Materials</b>	<b>4</b>
3.1. Chemical Resistance Chart – Bürkert resistApp.....	4
3.2. Material specifications .....	4
<b>4. Dimensions</b>	<b>5</b>
4.1. Stainless steel version .....	5
4.2. Brass version .....	6
<b>5. Ordering information</b>	<b>6</b>
5.1. Bürkert eShop – Easy ordering and quick delivery.....	6
5.2. Bürkert product filter.....	6
5.3. Ordering chart.....	7
5.4. Ordering chart accessories.....	8
Mounting set brass body .....	8
Mounting set stainless steel body .....	8

## 1. General technical data

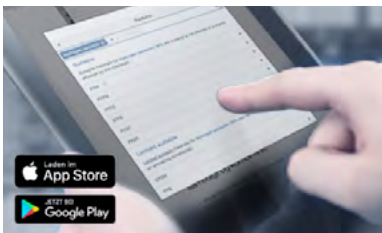
Product properties	
Dimensions	Detailed information can be found in chapter "4. Dimensions" on page 5.
<b>Material</b>	
Seal	NBR, FKM, PTFE, EPDM
Body	Brass with stainless steel seat 1.4305, stainless steel 1.4581
Coil	Epoxy
Inner part of valve	Stainless steel
Orifice	DN 2.0...DN 4.0
Circuit function	C Detailed information can be found in chapter "2. Circuit functions" on page 3.
Thermal insulation class of solenoid coil	H
Performance data	
Duty cycle	100 % continuous operation
Electrical data	
<b>Power consumption</b>	
Inrush	AC: 35...40 VA
Hold (hot coil)	AC: 16 VA/10 W DC: ca. 12 W
High temperature coil CF42	Cold performance: 10 W Warm performance: 6 W
High temperature coil CF09	Cold performance: 13 W Warm performance: 7 W
Voltage tolerance	± 10 %
Medium data	
<b>Operating medium</b>	
NBR	Neutral fluids, hydraulic oil, oil without additives
EPDM	Oil and fat-free fluids
FKM	Per-solutions, hot oils with additives
PTFE	Steam, organic solvents
<b>Medium temperature</b>	
NBR	- 10 °C...+90 °C
EPDM	-40 °C...+130 °C
FKM	0 °C...+130 °C
PTFE	-40 °C...+180 °C
Process/Port connection & communication	
Electrical connection	Tag connector acc. to DIN EN 175 301 -803 form A for cable plug Type 2508 (supplied as standard)
Approvals and certificates	
Degree of protection	IP65 with cable plug IP50 without cable plug for high temperature devices
Environment and installation	
Installation position	Any, preferably actuator face up
Ambient temperature	Max. +55 °C (+200 °C on request, see "5.3. Ordering chart" on page 7)

## 2. Circuit functions

Circuit functions	Description
	<b>Type: C, solenoid valve</b> 3/2 way Direct-acting Normally closed

### 3. Materials

#### 3.1. Chemical Resistance Chart – Bürkert resistApp

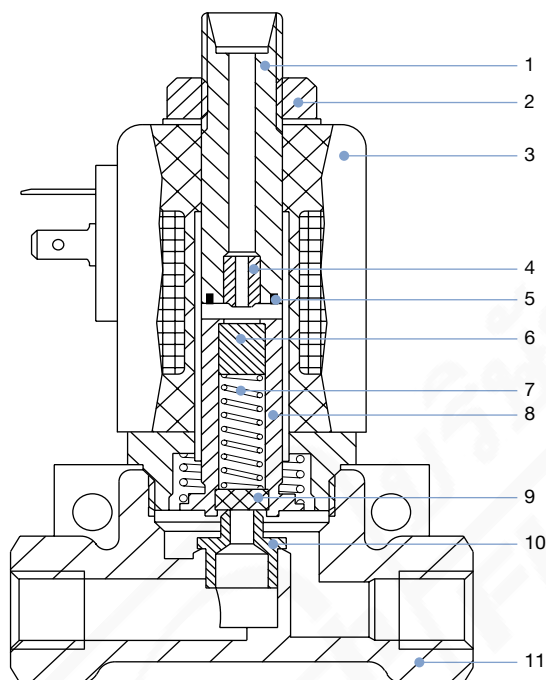


**Bürkert resistApp – Chemical Resistance Chart**

You want to ensure the reliability and durability of the materials in your individual application case? Verify your combination of media and materials on our website or in our resistApp.

[Start Chemical Resistance Check](#)

#### 3.2. Material specifications



No.	Element	Material
1	Stopper	Stainless steel 1.4105
2	Locknut	Steel (thick-film passivated acc. Rohs)
3	Coil	Epoxy
4	Valve Seat	Stainless steel 1.4305
5	Shading ring	Copper (brass version), only AC Silver (stainless steel version), only AC
6	Seal	EPDM, NBR, PTFE, FKM
7	Spring	Stainless steel 1.4310
8	Plunger	Stainless steel 1.4105
9	Seal	EPDM, NBR, PTFE, FKM
10	Valve Seat	Stainless steel 1.4305
11	Body	Brass or stainless steel 1.4581

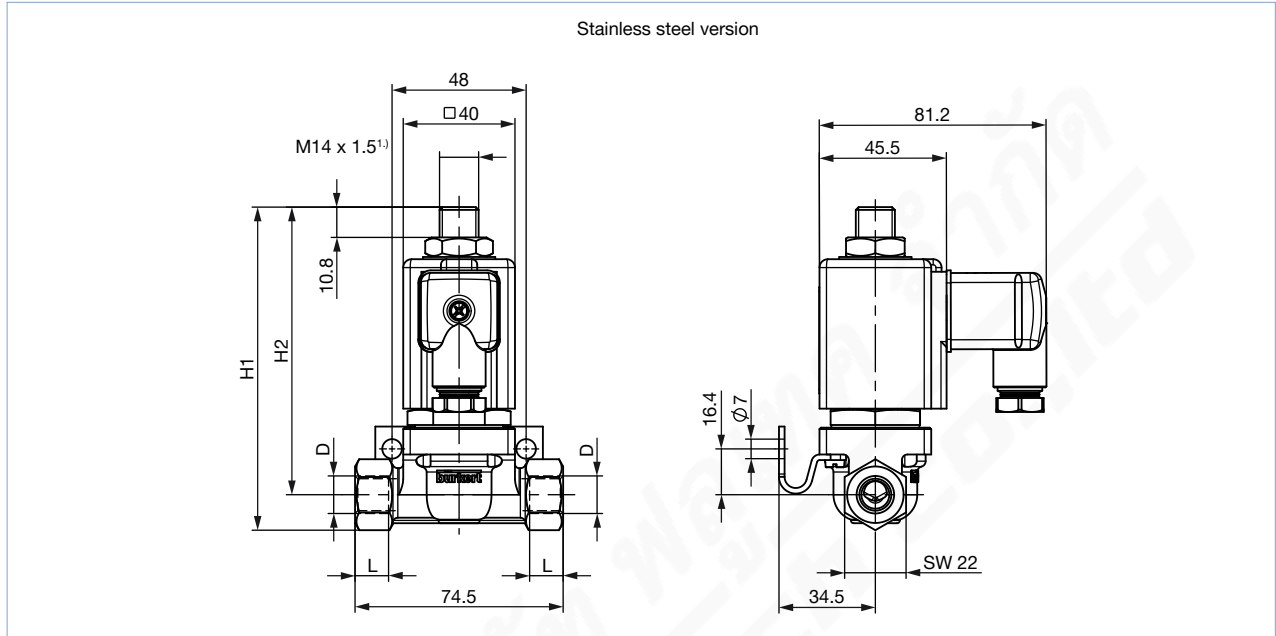
DTS 1000010931 EN Version: J Status: RL (released | freigegeben | validé) printed: 13.12.2022

## 4. Dimensions

### 4.1. Stainless steel version

**Note:**

Dimensions in mm



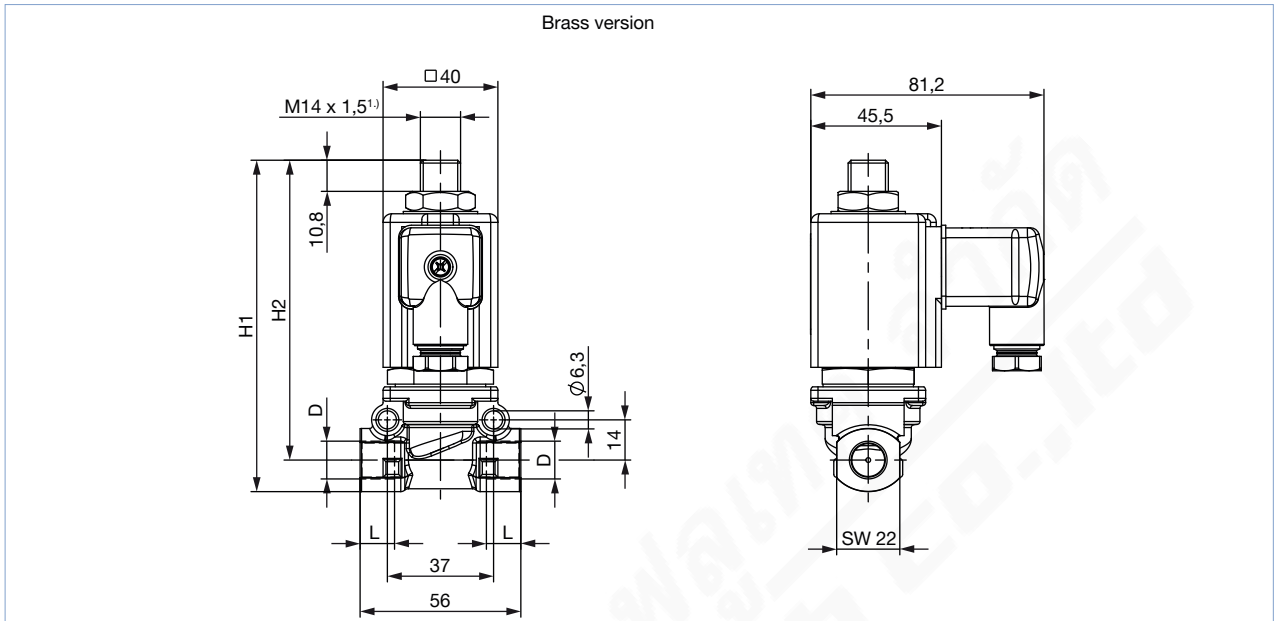
D	L	H1	H2
NPT ¼	10	115.5	103
G ¼	12		

1.) M14 x 1.5 is intended for compression fittings according to DIN EN ISO 8434. Tube diameter 8 mm.

## 4.2. Brass version

**Note:**

Dimensions in mm



D	L	H1	H2
NPT 3/8	10.3	115.5	104.5
NPT 1/4	10		
G 3/8	12	115.5	104.5
G 1/4	12		

1.) M14 x 1.5 is intended for compression fittings according to DIN EN ISO 8434. Tube diameter 8 mm.

## 5. Ordering information

### 5.1. Bürkert eShop – Easy ordering and quick delivery



#### Bürkert eShop – Easy ordering and quick delivery

You want to find your desired Bürkert product or spare part quickly and order directly? Our online shop is available for you 24/7. Sign up and enjoy all the benefits.

[Order online now](#)

### 5.2. Bürkert product filter



#### Bürkert product filter – Get quickly to the right product

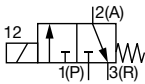
You want to select products comfortably based on your technical requirements? Use the Bürkert product filter and find suitable articles for your application quickly and easily.

[Try out our product filter](#)






## 5.3. Ordering chart

## Note:

- All valves are delivered with cable plug.
- Valves with brass body have a pressed in stainless steel seat 1.4305.
- Other versions on request

Circuit function	Port connection	Orifice [mm]	K <sub>v</sub> value water [m <sup>3</sup> /h]	Pressure range [bar]	Seal material	Article no.		
						024/DC	024/50	230/50
						[V/Hz]	[V/Hz]	[V/Hz]
<b>C, solenoid valve</b> 3/2 way Direct-acting Normally closed  	<b>Brass body</b>							
	G ¼	2.0	0.11	0...16	EPDM	–	–	066007
					NBR	043089	026069	068078
					PTFE	062188	049998	049025
		3.0	0.2	0...10	FKM	064392	–	126056
					NBR	068557	017668	061174
					PTFE	052665	067817	054885
	4.0	0.4	0...5	FKM	–	–	046655	
				NBR	061104	019095	061019	
				PTFE	052078	065552	058403	
	<b>Stainless steel body</b>							
	G ¼	4.0	0.4	0...5	PTFE	–	–	021253
					FKM	–	–	066759

## Further versions on request

	<b>Control function/Circuit function</b> Circuit functions D and E on request		<b>Voltage</b> 110/50, 240/50, non-standard voltages [V/Hz]
	<b>Material</b> Further valve combinations (body and seal material)		<b>Approval</b> UL, UR, CSA
	<b>Temperature</b> High temperature version up to 200 °C		



### 5.4. Ordering chart accessories

#### Mounting set brass body

**Note:**

- Included in delivery are a mounting clamp and 2 cylinder screws M5 x 35.
- Only for brass body versions
- 37 mm separation between the M5 threaded holes
- 48 mm separation between the Ø 7 bores
- Valve mounting with mounting set see [“4.2. Brass version” on page 6](#)

Description	Article no.
	151287

#### Mounting set stainless steel body

**Note:**

- Included in delivery are a mounting clamp and 2 cylinder screws M4 x 6.
- Only for stainless steel versions
- 29 mm separation between the M4 threaded holes
- 48 mm separation between the Ø 7 bores
- Valve mounting with mounting set see [“4.1. Stainless steel version” on page 5](#)

Description	Article no.
	260250

DTS 1000010931 EN Version: J Status: RL (released | freigegeben | validé) printed: 13.12.2022