






## Transmitters for electromagnetic inductive flow sensors

- Must be combined with sensor Type S051, Type S054, Type S055 or Type S056
- Continuous measurement, high accuracy
- Different housing shapes and materials available
- Compact and remote design selectable, available with or without display

Product variants described in the data sheet may differ from the product presentation and description.

### Can be combined with

	<b>Type S051</b> Magnetic inductive flow sensor, low flow rates	▶
	<b>Type S054</b> Magnetic inductive sensor without flange (wafer connection)	▶
	<b>Type S055</b> Magnetic inductive sensor with flange	▶
	<b>Type S056</b> Magnetic inductive sensor with hygienic process connections	▶

### Type description

The Type SE58 transmitter (in S, M or L variant) associated with the electromagnetic flow sensor (in compact or remote variant) Type S051, Type S054, Type S055 or Type S056 is designed for applications with a minimum conductivity of 5  $\mu\text{S}/\text{cm}$ .

The variant S of the transmitter Type SE58 can only be used to build a compact variant of a flowmeter version, with or without display. It is characterised by a housing with small external dimensions.

The variant without display has a housing and a cover in black painted aluminium or stainless steel.

The variant with display has a black painted aluminium or stainless steel housing and a plastic cover. The display is integrated in the cover. Flow rate and totalizer values are displayed simultaneously, as well as symbols for device status and alarms

The flow rate measurement can be transferred via a digital or an analogue output. The achievable uncertainty is 0.5 % of the measured value.

The device cannot be extended with the addition of input/output signals and functionalities such as dosing.

The variants M and L of the transmitter Type SE58, with painted aluminium, plastic or stainless steel housings, are available to build a compact or remote variant of a flowmeter, with or without display.

The device can be extended with the addition of input/output signals and functionalities such as dosing (only Type SE58 L) and data logger. The Human Machine Interface (HMI) comprising the display and the operating keys allows choosing flexible data presentations, carrying out complete settings and configuring the device. The L variant is characterized by superior performance as shown by the low uncertainty of 0.2 % of the measured value compared to 0.4 % (option) and 0.8 % with the M variant.

**FLU-TECH CO. LTD.**

**Email:** sales@flutech.co.th **Website:** <https://flutech.co.th>

**Tel:** 02-384-6060, 086-369-5871-3 **Fax:** 02-384-5701 **LINE OA:** @flutech.co.th

**Address (HQ):** 845/3-4, Moo 3, Theparak Rd., T. Theparak, A. Mueang Samut Prakan, Samut Prakan, 10270, Thailand



## Table of contents

<b>1. General technical data</b>	<b>3</b>
1.1. About the device .....	3
1.2. SE58 L transmitter .....	3
1.3. SE58 M transmitter .....	6
1.4. SE58 S transmitter .....	8
<b>2. Approvals and conformities</b>	<b>9</b>
2.1. Conformity .....	9
2.2. Standards.....	9
<b>3. Dimensions</b>	<b>10</b>
3.1. SE58 L and SE58 M transmitter .....	10
Compact variant with housing in aluminium or reinforced nylon.....	10
Remote variant with housing in aluminium or reinforced nylon .....	11
Compact and remote variants with housing in stainless steel.....	12
3.2. SE58 S transmitter .....	13
<b>4. Performance specifications</b>	<b>14</b>
4.1. Measurement deviation diagram.....	14
SE58 L transmitter .....	14
SE58 M transmitter .....	14
SE58 S transmitter.....	15
4.2. Default configuration.....	15
<b>5. Product operation</b>	<b>16</b>
<b>6. Product accessories</b>	<b>17</b>
<b>7. Networking and combination with other Bürkert products</b>	<b>18</b>
7.1. Compact variant.....	18
7.2. Remote variant.....	19
<b>8. Ordering information</b>	<b>20</b>
8.1. Bürkert eShop.....	20
8.2. Recommendation regarding product selection.....	20
8.3. Bürkert product filter.....	20
8.4. Ordering chart.....	21
SE58 L transmitter .....	21
SE58 M transmitter .....	22
SE58 S transmitter.....	23
8.5. Ordering chart accessories.....	23

DTS 1000463561 EN Version: F Status: RL (released | freigegeben | valide) printed: 06.02.2024

# 1. General technical data

## 1.1. About the device

The SE58 transmitter is available in 3 versions:

- SE58 L available with an aluminium, plastic or stainless steel housing and cable glands, with or without display, compact or remote design
- SE58 M available with an aluminium, plastic or stainless steel housing and cable glands, with or without display, compact or remote design
- SE58 S available with an aluminium or stainless steel housing, M12 connector or one cable gland with connected cable and with or without display, no remote variant



Settings for SE58 L and SE58 M can be done using the operator keys or by USB cable and PC tool MCP. However, any changes using MCP are not recommended, unless they are:

- done after receiving corresponding training by Burkert,
- carried out by a professional,
- agreed by the end user, and
- done in accordance with the MCP manual.

All transmitters are intended for use with electromagnetic flow sensors Type S051, Type S054, Type S055 or Type S056.

Detailed information can be found in the data sheets of the electromagnetic-inductive flow sensors, see [data sheet Type S051](#) ▶, [Type S054](#) ▶, [Type S055](#) ▶ or [Type S056](#) ▶.

## 1.2. SE58 L transmitter



Product properties	
<b>Material</b>	
Lid	Polycarbonate (PC)
Front panel film	Polyester
Deckel	<ul style="list-style-type: none"> <li>• Painted aluminium die casting or</li> <li>• Nylon reinforced (PA6) with 15 % glass fibre or</li> <li>• Stainless steel 304 (1.4301), electro-polished</li> </ul>
Housing	<ul style="list-style-type: none"> <li>• Painted aluminium die casting or</li> <li>• Nylon reinforced (PA6) with 15 % of glass fibre or</li> <li>• Stainless steel 304 (1.4301) electro-polished</li> </ul>
Seal	Silicone
Cable gland	Polyamide (PA)
Display	Graphic display 8 lines x 16 characters, 128 x 64 pixels with back light
Keypad	3 operating keys
Compatibility	Electromagnetic flow sensors Type S051, Type S054, Type S055 or Type S056 in compact or remote variant Detailed information can be found in the data sheets, see <a href="#">data sheet Type S051</a> ▶, <a href="#">Type S054</a> ▶, <a href="#">Type S055</a> ▶ or <a href="#">Type S056</a> ▶.
Dimensions	Detailed information can be found in chapter <b>"3. Dimensions"</b> on page 10.

DTS 1000463561 EN Version: F Status: RL (released | freigegeben | valide) printed: 06.02.2024

Data logger	A micro SD memory card 4 GB stores the selected data in a specified interval (option)
Special function	<ul style="list-style-type: none"> <li>• Bidirectional measure</li> <li>• Dual measurement range</li> <li>• Diagnostic functions such as device self tests and process diagnostics like empty-pipe<sup>1)</sup> or measurement value limit detection</li> <li>• Batch filling functions</li> </ul>

**Performance data**

At reference conditions and according to internal test procedures:

- At room temperature
- Constant flow rate during the test, liquid speed > 1 m/s
- Pressure: > 30 Kpa
- Flow condition: observed inlet and outlet conditions
- Zero point stability: ± 0.005 %
- Default configuration if ordered together with sensor Type S051, Type S054, Type S055 or Type S056. Detailed information can be found in chapter “4.2. Default configuration” on page 15.

Measurement deviation	<p>≤ ± 0.2 % of the measured value for flow velocity &gt; 0.5 m/s                  Detailed information can be found in chapter “4.1. Measurement deviation diagram” on page 14.</p>
Repeatability	≤ ± 0.1 % of the measured value for flow velocity > 0.5 m/s
Response time	<p>Minimum time</p> <ul style="list-style-type: none"> <li>• for analogue output (AO), when damping setting is deactivated and according to sensor size:                         <ul style="list-style-type: none"> <li>– DN 03...DN 250: 20 ms</li> <li>– DN 300...DN 400: 100 ms</li> </ul> </li> <li>• for digital output (DO):                         <ul style="list-style-type: none"> <li>– 100 ms (if used with the sensor Type S054 or Type S055)</li> <li>– 20 ms (if used with the sensor Type S051 or Type S056)</li> </ul> </li> </ul>

**Electrical data**

Operating voltage	<ul style="list-style-type: none"> <li>• 100...240 V AC, 44 Hz...66 Hz</li> <li>• 12...48 V DC</li> <li>• Others on request</li> </ul>
Power consumption	Max. 20 VA with 100...240 V AC operating voltage
Input	1 digital, function use is configurable (e.g. totalizer reset)
Output	<ul style="list-style-type: none"> <li>• Transistor:                         <ul style="list-style-type: none"> <li>– NPN or PNP (according to wiring), open collector</li> <li>– NPN output: 2 digital outputs (DO)</li> <li>– PNP output: only 1 digital output (DO)</li> <li>– configurable as                                 <ul style="list-style-type: none"> <li>– pulse/frequency (1250 Hz, max. 100 mA, 30 V DC) or</li> <li>– alarm/batch (adjustable usage)</li> </ul> </li> </ul> </li> <li>• Current:                         <ul style="list-style-type: none"> <li>– max. 2 analogue outputs (AO), 0/4...20/22 mA, RL = 1000 Ω</li> <li>– HART (optional) only over first analogue output</li> </ul> </li> <li>• Serial interface (optional): RS-485 (available with Modbus protocol (option))</li> </ul>
Galvanic isolation	All the input/outputs are galvanically isolated up to 250 V from operating voltage
Protection class	Class I
Connection cable	<p>Between sensor and transmitter:</p> <ul style="list-style-type: none"> <li>• cable C015/C016 for remote variant</li> <li>• 10 m (other lengths on request)</li> </ul> <p>Detailed information can be found in the data sheets, see <b>data sheet Type S051</b> ▶, <b>Type S054</b> ▶, <b>Type S055</b> ▶ or <b>Type S056</b> ▶.</p>

**Medium data**

Velocity range	0.4...10 m/s
Minimum conductivity	5 µS/cm

**Connections & communication**

Electrical connection	<ul style="list-style-type: none"> <li>• 5 cable glands PG11 for aluminium or nylon housing or</li> <li>• 6 cable glands PG11 for stainless steel housing</li> </ul>
-----------------------	--

DTS 1000463561 EN Version: F Status: RL (released | freigegeben | valide) printed: 06.02.2024

Plug for configuration connection	USB port for the connection to PC (USB cable with USB mini B and USB type A connectors is required for the configuration and parameter settings)
Industrial communication	<ul style="list-style-type: none"> <li>• RS-485</li> <li>• Wi-Fi (as alternative for remote device configuration)</li> </ul>
Protocol	<ul style="list-style-type: none"> <li>• Modbus via RS-485</li> <li>• HART (available on first analogue output)</li> </ul>

### Approvals and conformities

#### Directives

CE directive Further information on the CE directive can be found in chapter **"2.2. Standards"** on page 9.

### Environment and installation

Ambient temperature	Operation and storage <ul style="list-style-type: none"> <li>• Aluminium or stainless steel housing: -20...+60 °C (-4...+140 °F)</li> <li>• Reinforced nylon housing: -10...+50 °C (+14...+122 °F)</li> </ul>
Relative air humidity	0...100 %, without condensation
Height above sea level	-200...+4000 m
Operating condition	Continuous
Equipment mobility	Fixed device
Application range	Indoor and outdoor Protect the device against electromagnetic interference, ultraviolet rays and, when installed outdoors, against the effects of climatic conditions.
Degree of protection according to IEC/EN 60529	<ul style="list-style-type: none"> <li>• Aluminium housing: IP65, IP67 (IP68 option)</li> <li>• Reinforced nylon housing: IP65, IP67</li> <li>• Stainless steel housing: IP65</li> </ul>
Installation category	Category II according to UL/EN 61010-1
Pollution degree	Degree 2 according to UL/EN 61010-1

1.) Empty pipe functionality is not available if sensors are selected in the range of DN 03 to DN 20.

### 1.3. SE58 M transmitter



#### Product properties

Material	
Lid	Polyamide (PA)
Front panel film	Polyester
Cover	<ul style="list-style-type: none"> <li>Painted aluminium die casting or</li> <li>Nylon reinforced (PA6) with 15 % glass fibre or</li> <li>Stainless steel 304 (1.4301), electro-polished</li> </ul>
Housing	<ul style="list-style-type: none"> <li>Painted aluminium die casting or</li> <li>Nylon reinforced (PA6) with 15 % glass fibre or</li> <li>Stainless steel 304 (1.4301), electro-polished</li> </ul>
Seal	Silicone
Cable gland	Polyamide (PA)
Display	Graphic display 8 lines x 16 characters, 128 x 64 pixels with back light
Keypad	3 operator keys
Compatibility	Electromagnetic flow sensors Type S051, Type S054, Type S055 or Type S056 in compact or remote variant Detailed information can be found in the data sheets, see <a href="#">data sheet Type S051</a> ▶, <a href="#">Type S054</a> ▶, <a href="#">Type S055</a> ▶ or <a href="#">Type S056</a> ▶.
Dimensions	Detailed information can be found in chapter <a href="#">“3. Dimensions” on page 10.</a>
Data logger	A micro SD memory card 4 GB stores the selected data in a specified interval (option)
Special function	<ul style="list-style-type: none"> <li>Bidirectional measure</li> <li>Dual measurement range</li> <li>Diagnostic functions such as device self tests and process diagnostics like empty-pipe<sup>1)</sup> or measurement value limit detection</li> </ul>

#### Performance data

At reference conditions and according to internal test procedures:

- At room temperature
- Constant flow rate during the test, liquid speed > 1 m/s
- Pressure: > 30 Kpa
- Flow condition: observed inlet and outlet conditions
- Zero point stability: ±0.005 %
- Default configuration if ordered together with sensor Type S051, Type S054, Type S055 or Type S056. Detailed information can be found in chapter [“4.2. Default configuration” on page 15.](#)

Measurement deviation	≤ ±0.8 % of the measured value (optional: ±0.4 % of the measured value) for flow velocity > 0.5 m/s Detailed information can be found in chapter <a href="#">“4.1. Measurement deviation diagram” on page 14.</a>
Repeatability	≤ ±0.4 % of the measured value (optional: ±0.2 % of the measured value) for flow velocity > 0.5 m/s
Response time	Minimum time <ul style="list-style-type: none"> <li>for analogue output (AO), when damping setting is deactivated and according to sensor size:                             <ul style="list-style-type: none"> <li>– DN 03...DN 250: 20 ms</li> <li>– DN 300...DN 400: 100 ms</li> </ul> </li> <li>for digital output (DO):                             <ul style="list-style-type: none"> <li>– 100 ms (if used with the sensor Type S054 or Type S055)</li> <li>– 20 ms (if used with the sensor Type S051 or Type S056)</li> </ul> </li> </ul>

#### Electrical data

Operating voltage	<ul style="list-style-type: none"> <li>100...240 V AC, 44 Hz...66 Hz</li> <li>12...48 V DC</li> <li>Others on request</li> </ul>
Power consumption	Max. 20 VA with 100...240 V AC operating voltage
Input	1 digital, function use is configurable (e.g. totalizer reset)

DTS 1000463561 EN Version: F Status: RL (released | freigegeben | validé) printed: 06.02.2024

Output	<ul style="list-style-type: none"> <li>• Transistor:                     <ul style="list-style-type: none"> <li>– NPN or PNP (according to wiring), open collector                             <ul style="list-style-type: none"> <li>– NPN output: 2 digital outputs (DO)</li> <li>– PNP output: only 1 digital output (DO)</li> </ul> </li> <li>– configurable as                             <ul style="list-style-type: none"> <li>– pulse/frequency (1250 Hz, max. 100 mA, 30 V DC) or</li> <li>– alarm</li> </ul> </li> </ul> </li> <li>• Current:                     <ul style="list-style-type: none"> <li>– max. 2 analogue outputs (AO), 0/4...20/22 mA, RL = 1000 Ω</li> <li>– HART (optional) only over first analogue output</li> </ul> </li> <li>• Serial interface (optional): RS-485 (available with Modbus protocol (option))</li> </ul>
Galvanic isolation	All the input/outputs are galvanically isolated up to 250 V from operating voltage
Protection class	Class I
Connection cable	Between sensor and transmitter: <ul style="list-style-type: none"> <li>• cable C015/C016 for remote variant</li> <li>• 10 m (other lengths on request)</li> </ul> Detailed information can be found in the data sheets, see <a href="#">data sheet Type S051</a> ▶, <a href="#">data sheet Type S054</a> ▶, <a href="#">data sheet Type S055</a> ▶, <a href="#">data sheet Type S056</a> ▶.
<b>Medium data</b>	
Velocity range	0.4...10 m/s
Minimum conductivity	5 µS/cm
<b>Connections &amp; communication</b>	
Electrical connection	<ul style="list-style-type: none"> <li>• 5 cable glands PG11 for aluminium or nylon housing or</li> <li>• 6 cable glands PG11 for stainless steel housing</li> </ul>
Plug for configuration connection	USB port for the connection to PC (USB cable with USB mini B and USB type A connectors is required for the configuration and parameter settings)
Industrial communication	<ul style="list-style-type: none"> <li>• RS-485</li> <li>• Wi-Fi (as alternative for remote device configuration)</li> </ul>
Protocol	<ul style="list-style-type: none"> <li>• Modbus via RS-485</li> <li>• HART (available on first analogue output)</li> </ul>
<b>Approvals and conformities</b>	
<b>Directives</b>	
CE directive	Further information on the CE directive can be found in chapter <a href="#">“2.2. Standards” on page 9</a> .
<b>Environment and installation</b>	
Ambient temperature	Operation and storage <ul style="list-style-type: none"> <li>• Aluminium or stainless steel housing: -20...+60 °C (-4...+140 °F)</li> <li>• Reinforced nylon: -10...+50 °C (+14...+122 °F)</li> </ul>
Relative air humidity	0...100 %, without condensation
Height above sea level	-200...+4000 m
Operating condition	Continuous
Equipment mobility	Fixed device
Application range	Indoor and outdoor Protect the device against electromagnetic interference, ultraviolet rays and, when installed outdoors, against the effects of climatic conditions.
Degree of protection according to IEC/EN 60529	<ul style="list-style-type: none"> <li>• Aluminium housing: IP65, IP67 (IP68 optional)</li> <li>• Reinforced nylon housing: IP65, IP67</li> <li>• Stainless steel housing: IP65</li> </ul>
Installation category	Category II according to UL/EN 61010-1
Pollution degree	Degree 2 according to UL/EN 61010-1

1.) Empty pipe functionality is not available if sensors are selected in the range of DN 03 to DN 20.

DTS 1000463561 EN Version: F Status: RL (released | freigegeben | valide) printed: 06.02.2024

## 1.4. SE58 S transmitter



## Product properties

## Material

Lid	Polyamide (PA)
Cover	PA6
Housing	<ul style="list-style-type: none"> <li>Painted Aluminium die casting or</li> <li>Stainless steel AISI 304 (1.4301) raw or polished</li> </ul>
Seal	NBR
Circular plug-in connector	Nickel-plated brass
Cable gland	Polyamide (PA)
Display	LCD dimensions 60 x 40 mm, 2 lines + symbols, icons
Keypad	None
Compatibility	Electromagnetic flow sensors Type S051, S054, S055, S056 in compact variant, up to DN 400. Detailed information can be found in the data sheets, see <a href="#">data sheet Type S051</a> ▶, <a href="#">data sheet Type S054</a> ▶, <a href="#">data sheet Type S055</a> ▶, <a href="#">data sheet Type S056</a> ▶.
Dimensions	Detailed information can be found in chapter <a href="#">“3. Dimensions” on page 10.</a>
Parametrisation	Remote configuration by USB cable and PC tool MCP. However, any changes using MCP are not recommended, unless they are: <ul style="list-style-type: none"> <li>done after receiving corresponding training by Burkert,</li> <li>carried out by a professional,</li> <li>agreed by the end user, and</li> <li>done in accordance with the MCP manual.</li> </ul> Detailed information can be found in chapters <a href="#">“5. Product operation” on page 16</a> , <a href="#">“6. Product accessories” on page 17</a> and <a href="#">“8.5. Ordering chart accessories” on page 23.</a>
Data logger	An EEPROM stores the measured values (in case of power failure)
Special function	Bidirectional measure

## Performance data

At reference conditions and according to internal test procedures:

- At room temperature
- Constant flow rate during the test, liquid speed > 1 m/s
- Pressure: >30 Kpa
- Flow condition: observed inlet and outlet conditions
- Zero point stability:  $\pm 0.005\%$
- Default configuration if ordered together with sensor Type S051, S054, S055, S056. Detailed information can be found in chapter [“4.2. Default configuration” on page 15.](#)

Measurement deviation	$\leq \pm 0.5\%$ of the measured value for flow velocity > 0.5 m/s Detailed information can be found in chapter <a href="#">“4.1. Measurement deviation diagram” on page 14.</a>
Response time	Minimum time <ul style="list-style-type: none"> <li>for analogue output (AO), when damping setting is deactivated and according to sensor size:               <ul style="list-style-type: none"> <li>DN 03...DN 250: 20 ms</li> <li>DN 300...DN 400: 100 ms</li> </ul> </li> <li>for digital output (DO):               <ul style="list-style-type: none"> <li>100 ms (if used with the sensor Type S054 or Type S055)</li> <li>20 ms (if used with the sensor Type S051 or Type S056)</li> </ul> </li> </ul>
Repeatability	$\leq \pm 0.25\%$ of the measured value for flow velocity > 0.5 m/s

## Electrical data

Operating voltage	<ul style="list-style-type: none"> <li>12...30 V DC if not using mA output</li> <li>18...30 V DC if using mA output</li> </ul>
Power consumption	Max. 1 W
Input	None

Output	<ul style="list-style-type: none"> <li>• Transistor:           <ul style="list-style-type: none"> <li>– NPN only (PNP not possible), open collector</li> <li>– NPN output: 2 digital outputs (DO)</li> <li>– configurable as               <ul style="list-style-type: none"> <li>– pulse/frequency (1250 Hz, max. 100 mA, 30 V DC) or</li> <li>– alarms</li> </ul> </li> </ul> </li> <li>• Current:           <ul style="list-style-type: none"> <li>– 1 analogue output (AO), 0/4...20 mA, RL = 500 Ω (18...30 V DC)</li> </ul> </li> </ul>
Protection class	Class I
<b>Medium data</b>	
Velocity range	0.4...10 m/s
Minimum conductivity	20 µS/cm
<b>Connections &amp; communication</b>	
Electrical connection	<ul style="list-style-type: none"> <li>• 1 × 5-pin M12 female connector (included in the delivery) or</li> <li>• Cable gland with 2 meter cable, already connected</li> </ul>
Plug for configuration connection	USB port for the connection to PC (USB cable with USB mini B and USB type A connectors is required for the configuration and parameter settings)
<b>Approvals and conformities</b>	
<b>Directives</b>	
CE directive	Further information on the CE directive can be found in chapter <b>"2.2. Standards"</b> on page 9.
<b>Environment and installation</b>	
Ambient temperature	Operation and storage: <ul style="list-style-type: none"> <li>• if analogue output used: -20...+60 °C (-4...+140 °F)</li> <li>• if no analogue output used: -10...+60 °C (14...+140 °F)</li> </ul>
Relative air humidity	0...100 %, without condensation
Height above sea level	-200 up to +2000 m
Operating condition	Continuous
Equipment mobility	Fixed device
Application range	Indoor and outdoor Protect the device against electromagnetic interference, ultraviolet rays and, when installed outdoors, against the effects of climatic conditions.
Degree of protection according to IEC/EN 60529	IP65, IP67 (IP68 optional)
Installation category	Category II according to UL/EN 61010-1
Pollution degree	Degree 2 according to UL/EN 61010-1

## 2. Approvals and conformities

### 2.1. Conformity

In accordance with the Declaration of Conformity, the product is compliant with the EU Directives.

### 2.2. Standards

The applied standards which are used to demonstrate compliance with the EU Directives are listed in the EU-Type Examination Certificate and/or the EU Declaration of Conformity.

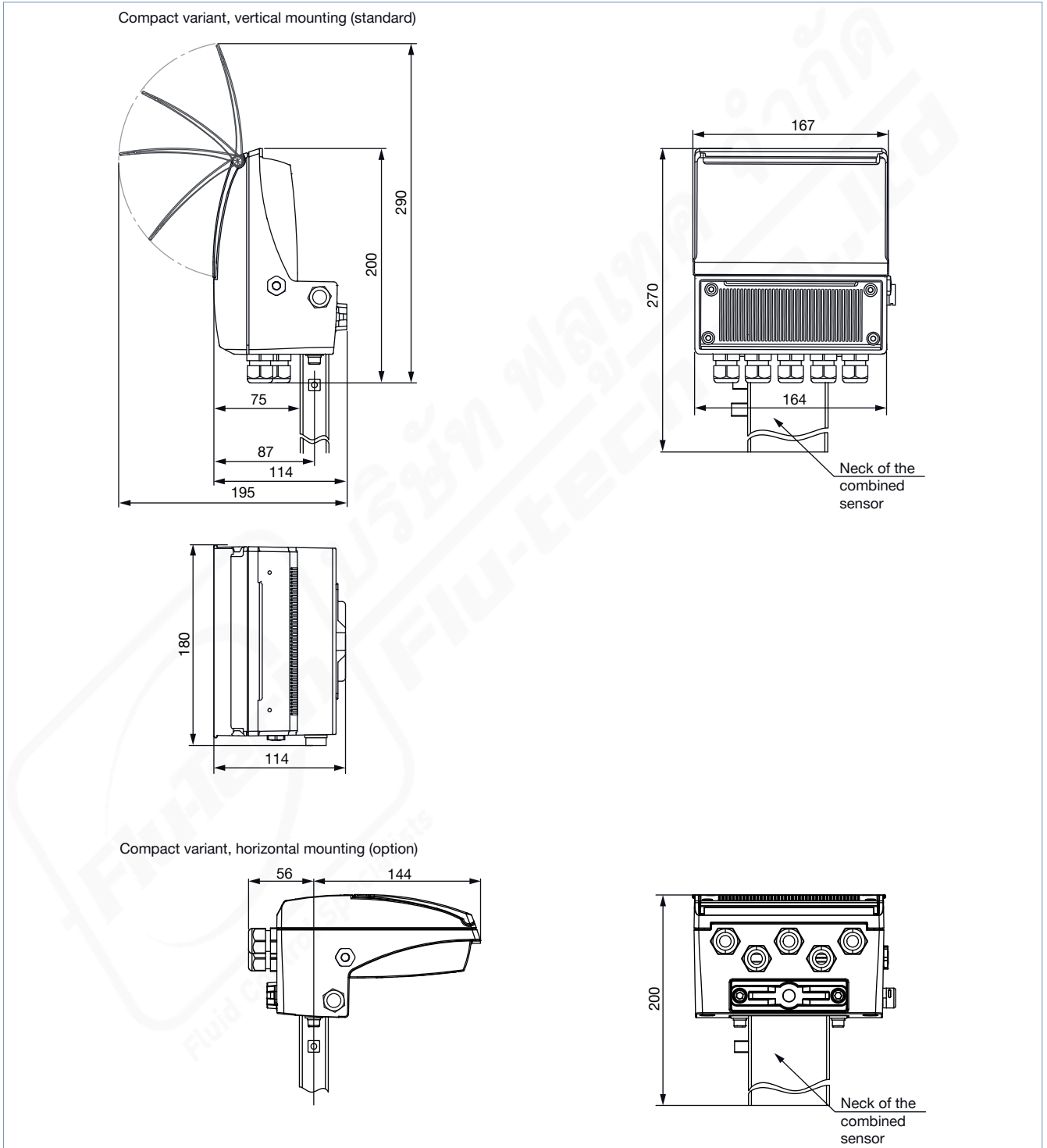
### 3. Dimensions

#### 3.1. SE58 L and SE58 M transmitter

Compact variant with housing in aluminium or reinforced nylon

**Note:**

Dimensions in mm, unless otherwise stated

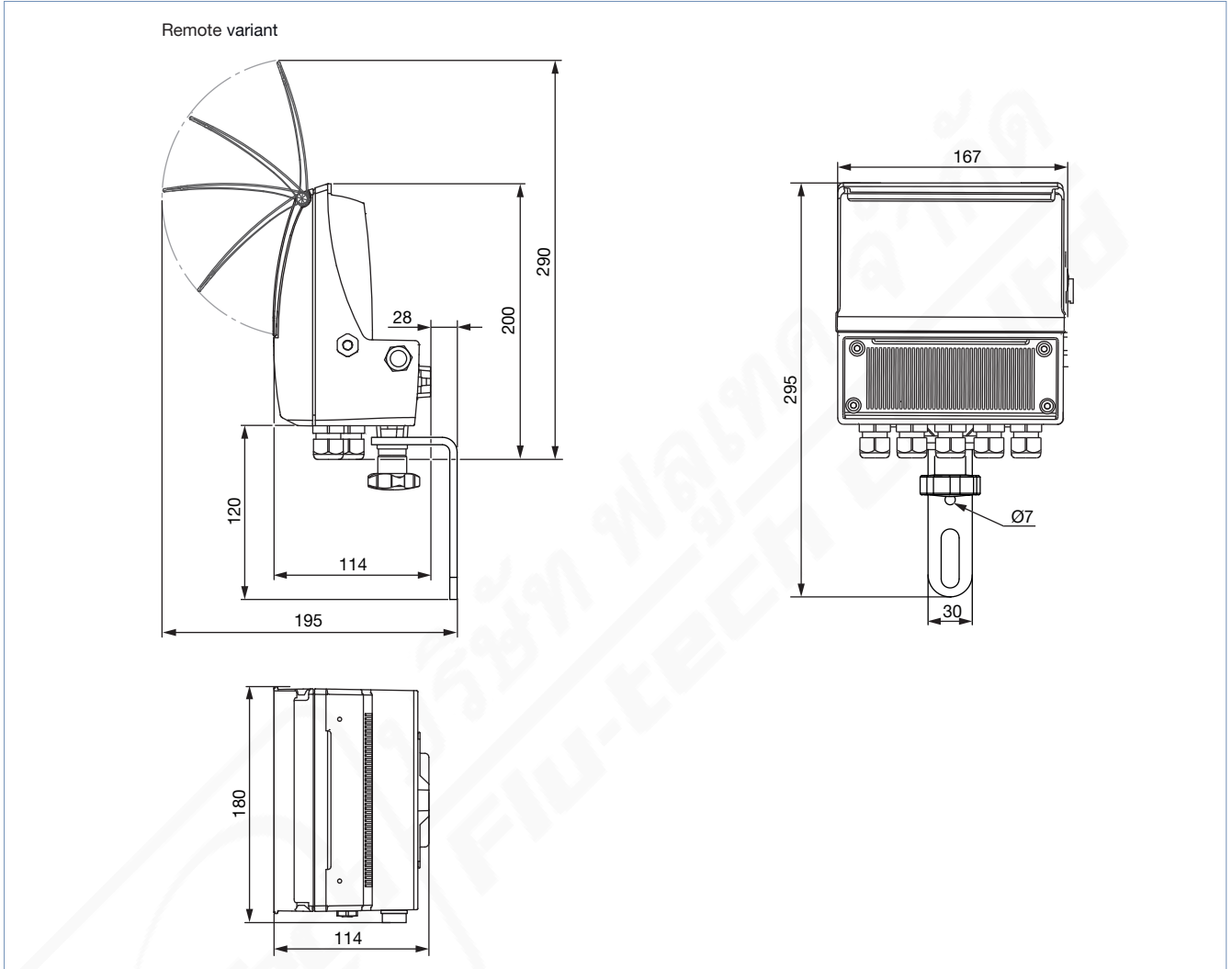


DTS 1000463561 EN Version: F Status: RL (released | freigegeben | validé) printed: 06.02.2024

Remote variant with housing in aluminium or reinforced nylon

Note:

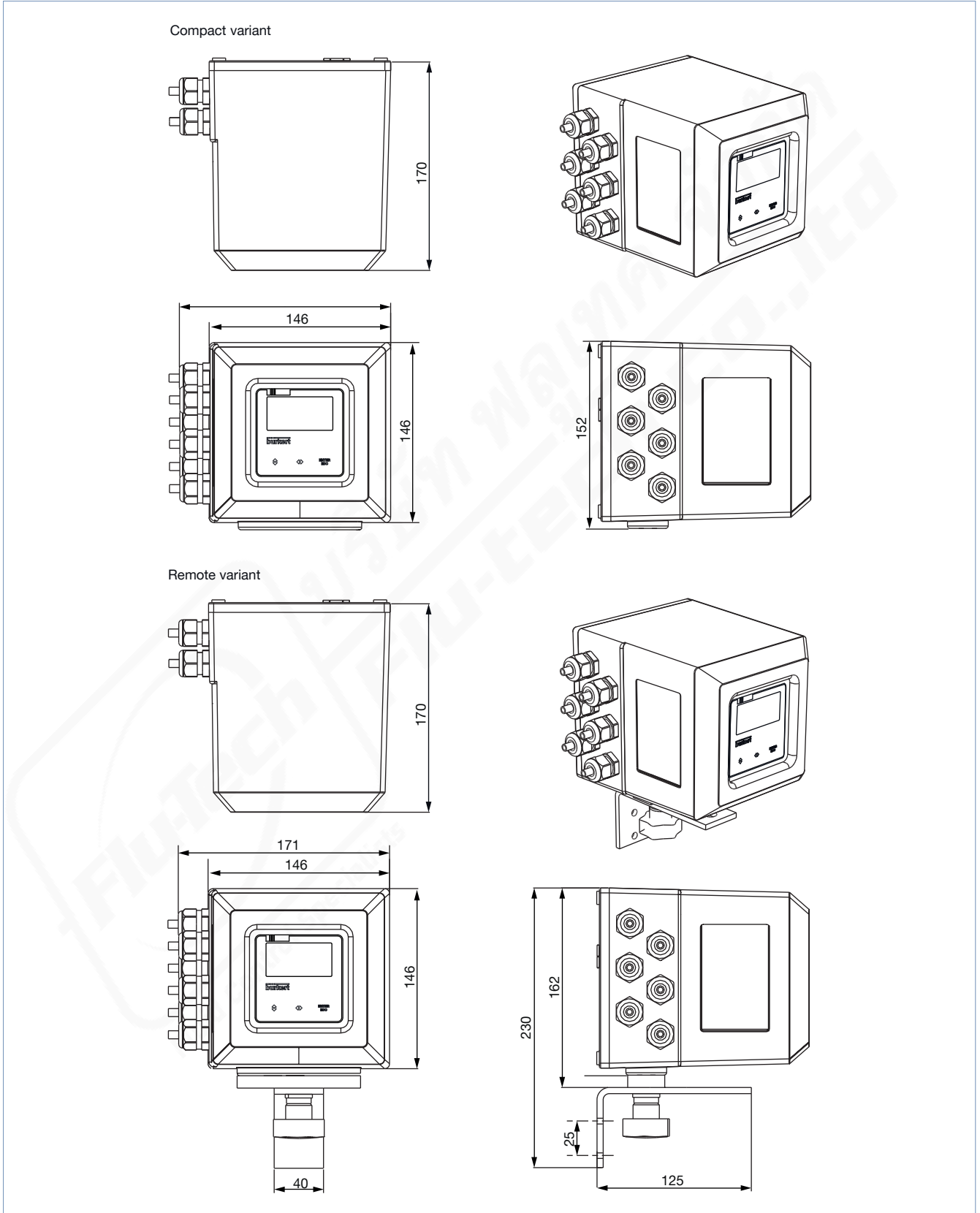
Dimensions in mm, unless otherwise stated



Compact and remote variants with housing in stainless steel

**Note:**

Dimensions in mm, unless otherwise stated

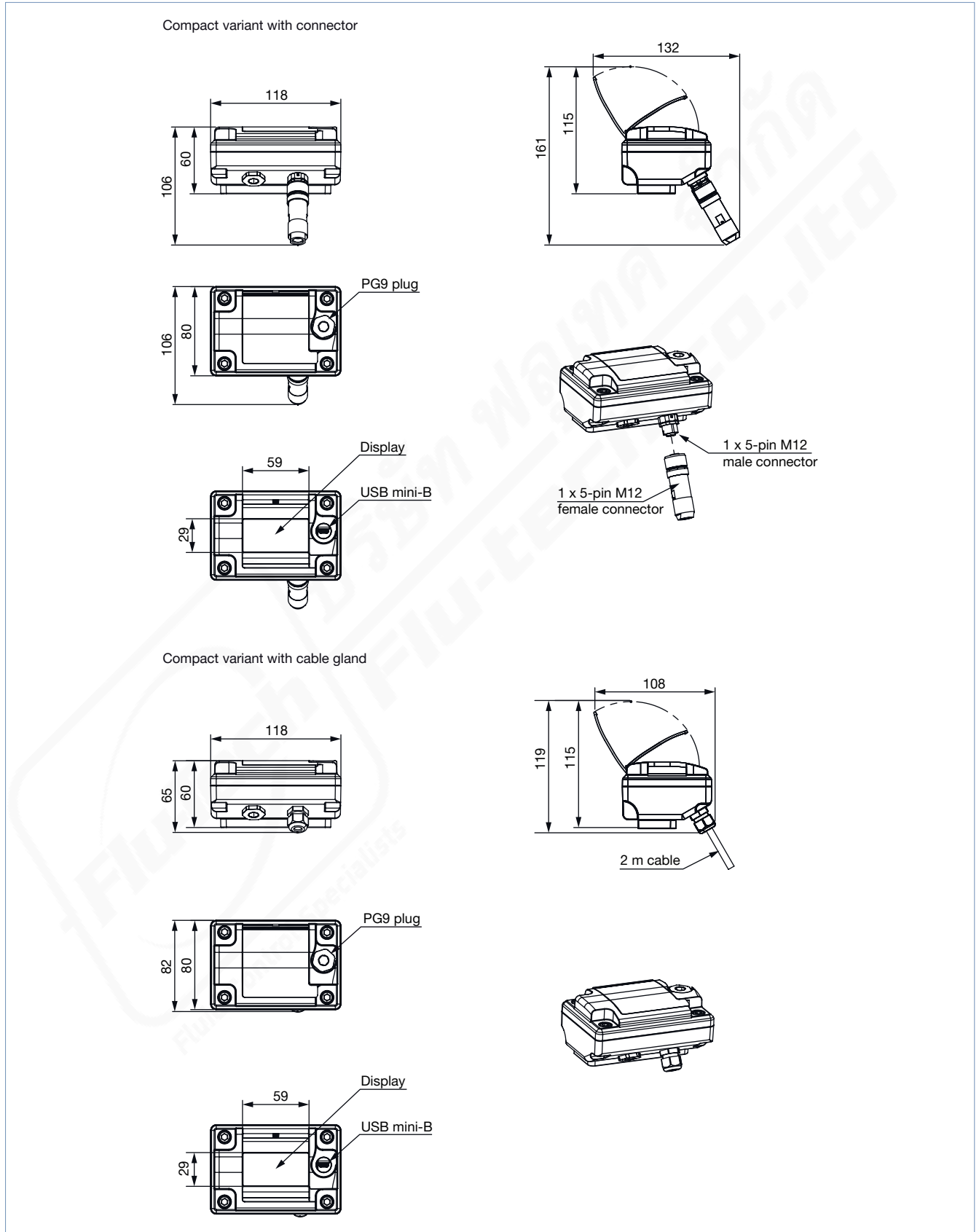


DTS 1000463561 EN Version: F Status: RL (released | freigegeben | validé) printed: 06.02.2024

### 3.2. SE58 S transmitter

**Note:**

Dimensions in mm, unless otherwise stated



DTS 1000463561 EN Version: F Status: RL (released | freigegeben | valide) printed: 06.02.2024

## 4. Performance specifications

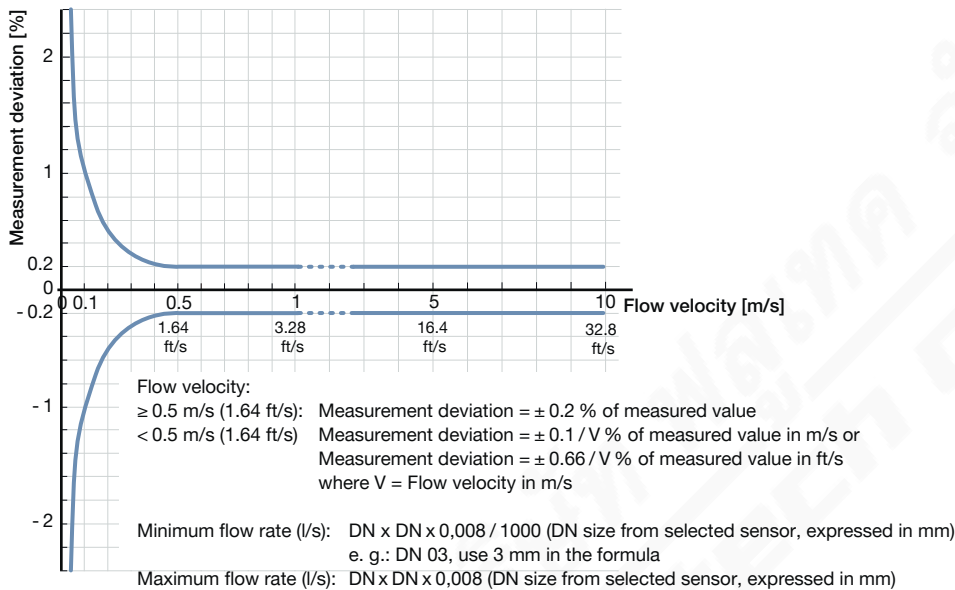
### 4.1. Measurement deviation diagram

#### SE58 L transmitter

**Note:**

This following diagram is valid for the complete device (transmitter Type SE58 L combined with a flow sensor Type S051, Type S054, Type S055 or Type S056).

See [data sheet Type S051](#) ▶, [Type S054](#) ▶, [Type S055](#) ▶ or [Type S056](#) ▶

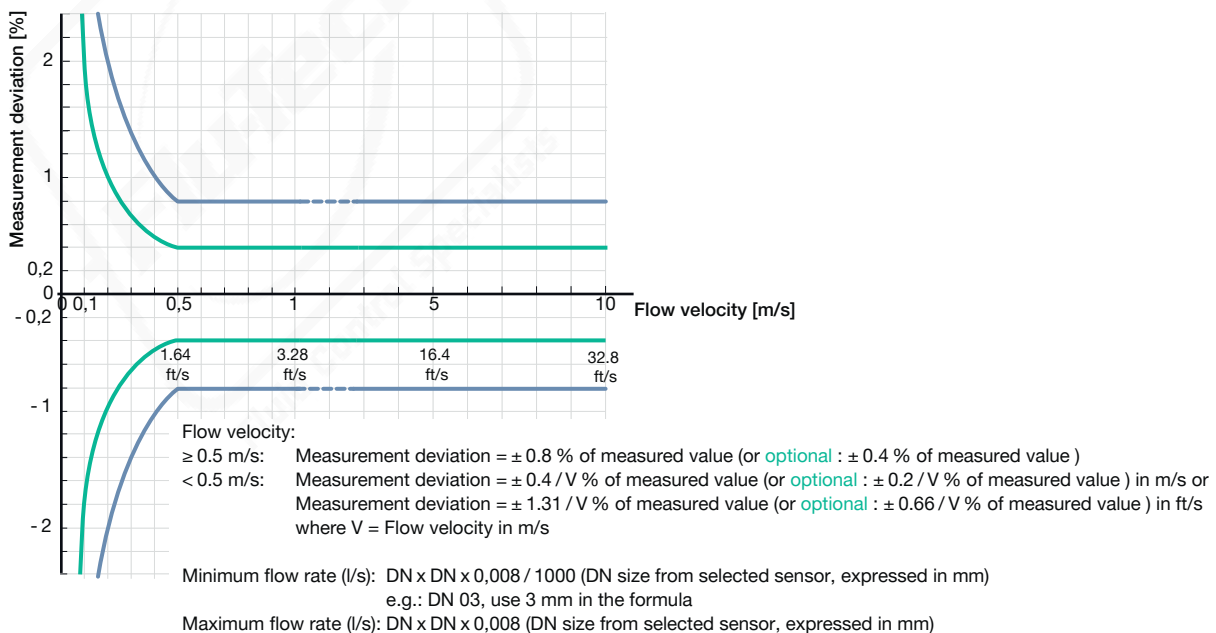


#### SE58 M transmitter

**Note:**

This following diagram is valid for the complete device (transmitter Type SE58 M combined with a flow sensor Type S051, Type S054, Type S055 or Type S056).

See [data sheet Type S051](#) ▶, [Type S054](#) ▶, [Type S055](#) ▶ or [Type S056](#) ▶



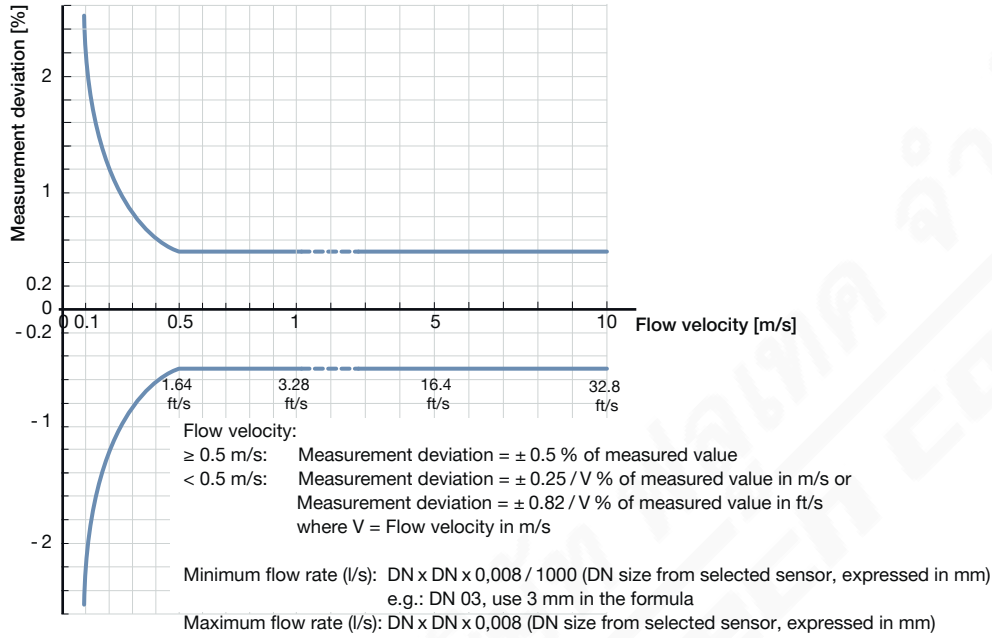
DTS 1000463561 EN Version: F Status: RL (released | freigegeben | valide) printed: 06.02.2024

**SE58 S transmitter**

**Note:**

This following diagram is valid for the complete device (transmitter Type SE58 L and flow sensor Type S051, Type S054, Type S055 or Type S056).

See data sheet [Type S051](#) ▶, [Type S054](#) ▶, [Type S055](#) ▶ or [Type S056](#) ▶



**4.2. Default configuration**

**Note:**

This following diagram is valid for the complete device (transmitter Type SE58 L, Type SE58 M or Type SE58 S combined with a flow sensor Type S051, Type S054, Type S055 or Type S056).

See data sheet [Type S051](#) ▶, [Type S054](#) ▶, [Type S055](#) ▶ or [Type S056](#) ▶

DN	3	6	10	15	20	25	32	40	50	65	80	100	125	150	200	250	300	350	400	450	500
At 4 mA in m <sup>3</sup> /h	0	0	0	0	0	0	0	0	0	0	0	0	0	0	0	0	0	0	0	0	0
At 20 mA in m <sup>3</sup> /h	0.1	0.6	2	4	8	16	25	40	63	120	160	250	400	630	1000	1600	2500	2500	4000	4000	6300
Litre per pulse	0.1	0.1	0.1	0.1	0.1	0.1	0.1	0.1	0.5	0.5	1	2	10	10	10	10	10	10	10	100	100

DTS 1000463561 EN Version: F Status: RL (released | freigegeben | valide) printed: 06.02.2024

## 5. Product operation

The configuration can be done in two different ways:

- by transmitter keypad if equipped with display (except for transmitter SE58 S)
- by USB cable and PC tool MCP (virtual display of instrument) for transmitter with or without display.

This MCP software runs under MS Windows and it is available for download on the Bürkert's website for free. However, any changes using MCP are not recommended, unless they are:

- done after receiving corresponding training by Bürkert,
- carried out by a professional,
- agreed by the end user, and
- done in accordance with the MCP manual which can be found under **Type SE58** ▶ on the Bürkert's website.

When using the MCP software, you agree to the following software Tools End User License Agreement "MCP" (STEULA):

Permission is hereby granted, free of charge, to any person obtaining a copy of this software and associated documentation files (the "Software") to use the software, and to permit persons to whom the software is furnished to do so subject to the conditions of this STEULA.

### In a nutshell

- The software is intended for use by professionals and professionally, and in connection with our products only.
- Although we provide access to a convenient tool, it is not required for the use of our products. We are not liable for any consequence in using this software.
- We will update the software from time to time, but not regularly, and may at any point in time discontinue to offer the software or its updates for download.
- The software may include technical or other mistakes, inaccuracies or typographical errors.
- At any time without prior notice, we may make changes to the software pointing to third-party websites or shops or documentation made available on the third-party's website.
- The software may be out of date and we make no commitment to update such documents.

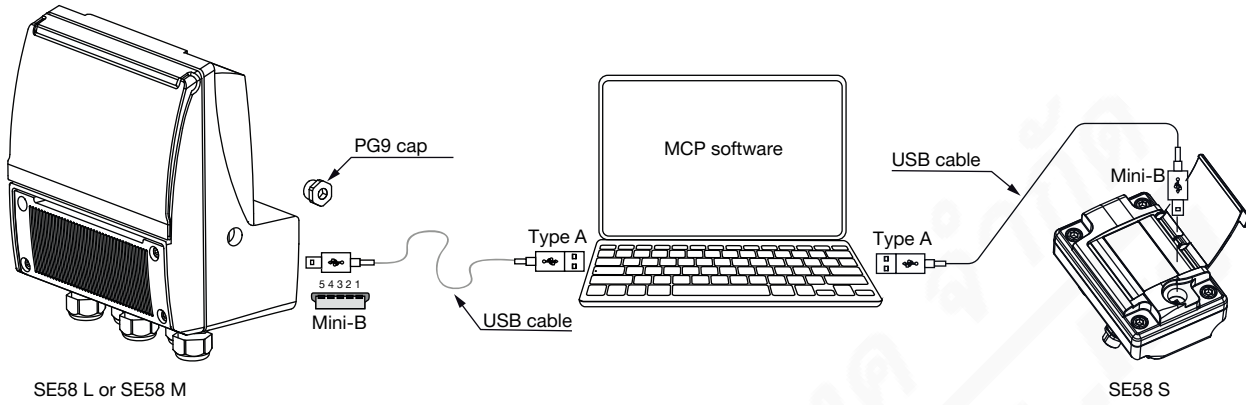
### Legal advise

1. One registered copy of supplied software may either be used by a single person who uses the software personally on one or more computers, or installed on a single computer used non-simultaneously by multiple people, but not both.
2. You may access to software through a network, provided that you have obtained and agreed to individual licenses for the software. The licenses must cover all computers that will access the software through the network regardless if they access the software program simultaneously or at different times.
3. You are not allowed to modify its content, decompose, decompile its components, redistribute, offer or sell the software.
4. You are solely responsible for determining the appropriateness of using the software and assume any risks associated with your exercise of permissions under this license.
5. **This software and any accompanying files are given free of charge "as is" and without warranties, express or implied, as to performance or merchantability or non-infringement of third party rights.**
6. No advice or information, whether oral or written, obtained by you from us shall create any warranty for the software.
7. Good data processing procedure dictates that any program shall be thoroughly tested in a non-critical environment before using the software. You must assume the entire risk of using the program. **Note that using the software impacts the operability / functionality of the hardware and may have severe consequences for the production of the facility the hardware is installed in.**
8. **The software is in particular not designed, intended, licensed or authorized for use in any type of system or application in which the failure of the system or application could create a situation where personal injury or death may occur (e.g., medical systems, life support, life-sustaining systems, life-saving systems or security systems) or in hazardous environments requiring fail-safe controls, including without limitation, the design, construction, maintenance or operation of nuclear facilities, aircraft navigation or communication systems, air traffic control or weapons systems. The licensor specifically disclaims any express or implied warranty of fitness for such purposes.**
9. **In no event shall we be liable for any direct, indirect, incidental, special, exemplary or consequential damages (including, without limitation, procurement of substitute goods or services, loss of use, data or profits or business interruption) however caused and on any theory of liability, whether in contract, strict liability or tort (including negligence or otherwise) arising in any way out of the use of this software, even if advised of the possibility of such damage**

To download the MCP software, see **Type SE58** ▶ on the Bürkert's website.

## 6. Product accessories

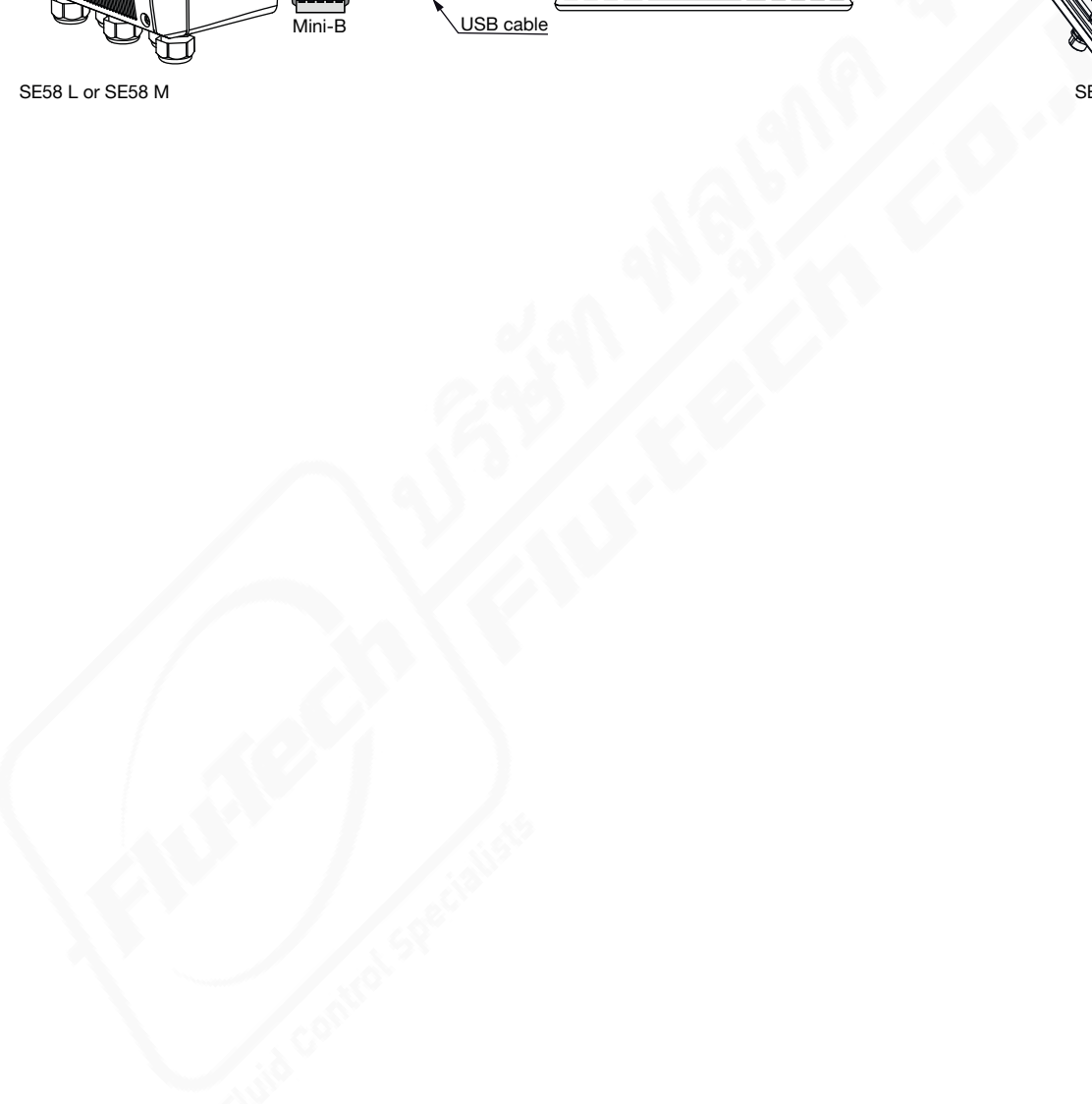
An USB cable with USB mini B and USB type A connectors serves as the interface between computer and transmitter (see “8.5. Ordering chart accessories” on page 23 and “5. Product operation” on page 16).



DTS 1000463561 EN Version: F Status: RL (released | freigegeben | valide) printed: 06.02.2024

SE58 L or SE58 M

SE58 S



## 7. Networking and combination with other Bürkert products

### 7.1. Compact variant

**Note:**

The compact Type SE58 transmitter is intended for use with Type S051, S045, S055 or S056 compact flow sensors.

**Example:**



Type SE58

#### Magnetic flow sensor

<b>Type S051</b> ▶ For low flow volumes	<b>Type S054</b> ▶ Without flange (wafer)	<b>Type S055</b> ▶ With flange	<b>Type S056</b> ▶ Hygienic process connections

#### Magnetic flowmeter

S051 + SE58 S	S054 + SE58 S	S055 + SE58 M or SE58 L	S056 + SE58 M or SE58 L in stainless steel

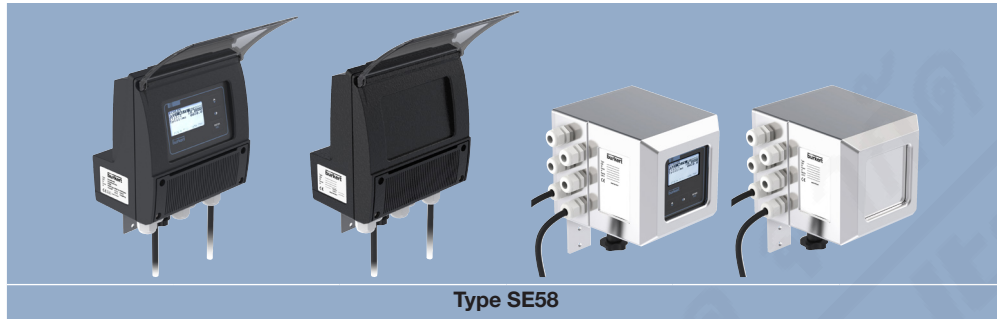
DTS 1000463561 EN Version: F Status: RL (released | freigegeben | valide) printed: 06.02.2024

### 7.2. Remote variant

**Note:**

The Type SE58 transmitter is intended for use with Type S051, S045, S055 or S056 flow sensors, each in design for the remote variant.


**Example:**



DTS 1000463561 EN Version: F Status: RL (released | freigegeben | valide) printed: 06.02.2024

## 8. Ordering information

### 8.1. Bürkert eShop



**Bürkert eShop – Easy ordering and quick delivery**

You want to find your desired Bürkert product or spare part quickly and order directly? Our online shop is available for you 24/7. Sign up and enjoy all the benefits.

[Order online now](#)

### 8.2. Recommendation regarding product selection


A complete full bore flowmeter consists of a flow sensor (compact or remote variant) Type S051, Type S054, Type S055 or Type S056 and a flow transmitter (compact or remote variant) Type SE58.

See [Data sheet Type S051](#) ▶, [Type S054](#) ▶, [Type S055](#) ▶ or [Type S056](#) ▶ for more information.

2 different components must be ordered in order to select a complete device. The following information is required:

- **Article no.** of the sensor **Type S051**, **Type S054**, **Type S055** or **Type S056** (see [Data sheet Type S051](#) ▶, [Type S054](#) ▶, [Type S055](#) ▶ or [Type S056](#) ▶ for more information.)
- **Article no.** of the transmitter **Type SE58** (see chapter [“SE58 L transmitter”](#) on page 21, [“SE58 M transmitter”](#) on page 22 or [“SE58 S transmitter”](#) on page 23.)

### 8.3. Bürkert product filter



**Bürkert product filter – Get quickly to the right product**

You want to select products comfortably based on your technical requirements? Use the Bürkert product filter and find suitable articles for your application quickly and easily.

[Try out our product filter](#)

### 8.4. Ordering chart

#### SE58 L transmitter

**Note:**

- Not all SE58 L transmitter variants are listed in the following table. If the desired variant is not mentioned, please contact your Bürkert representative.
- The following variants are vertically mounted versions.

Operating voltage	Outputs	Industrial communication	Housing material	Electrical connection	Article no.
<b>Compact variant with display</b>					
100...240 V AC	2 digital outputs (transistors)	Without	Aluminium	5 cable glands	571500
			Stainless steel	6 cable glands	571507
	2 digital outputs (transistors) + analogue output (4...20 mA)		Aluminium	5 cable glands	571501
			Stainless steel	6 cable glands	571508
12...48 V DC	2 digital outputs (transistors) + analogue output (4...20 mA)	Aluminium	5 cable glands	571502	
		Stainless steel	6 cable glands	571509	
<b>Remote variant<sup>1.)</sup> (wall-mounting) with display</b>					
100...240 V AC	2 digital outputs (transistors)	Without	Aluminium	5 cable glands	571505
			Stainless steel	6 cable glands	571510
	2 digital outputs (transistors) + analogue output (4...20 mA)		Aluminium	5 cable glands	571506
			Stainless steel	6 cable glands	571511
12...48 V DC	2 digital outputs (transistors) + analogue output (4...20 mA)	Aluminium	5 cable glands	571503	
		Stainless steel	6 cable glands	571513	

1.) Remote variants include two 10 m signal cable. If a longer cable is needed please consider that for ordering.

Further variants on request	
	<p><b>Material</b> Nylon reinforced</p>
	<p><b>Additional</b></p> <ul style="list-style-type: none"> <li>• Compact variant for horizontal mounting or remote variant</li> <li>• Variant with display (visible from the top or from the front) or without display</li> <li>• Outputs:                         <ul style="list-style-type: none"> <li>– 4...20 mA (1 or 2)</li> <li>– RS 485 (with protocol Modbus)</li> <li>– 2 transistors</li> </ul> </li> <li>• Industrial communication:                         <ul style="list-style-type: none"> <li>– RS 485 (with protocol Modbus)</li> <li>– HART</li> <li>– Wi-Fi (for parameter settings)</li> </ul> </li> <li>• Data logger with memory card 4GB</li> <li>• Degree of protection according to IEC/EN 60529: IP68</li> </ul>

DTS 1000463561 EN Version: F Status: RL (released | freigegeben | validé) printed: 06.02.2024

**SE58 M transmitter**

**Note:**

- Not all SE58 M transmitter variants are listed in the following table. If the desired variant is not mentioned, please contact your Bürkert representative.
- The following variants are vertically mounted versions and delivered with a measurement deviation of 0.8 % from the measured value.

Operating voltage	Outputs	Industrial communication	Housing material	Electrical connection	Article no.
<b>Compact variant with display</b>					
100...240 V AC	2 digital outputs (transistors)	Without	Nylon reinforced	5 cable glands	571540
			Stainless steel	6 cable glands	571548
	2 digital outputs (transistors) + analogue output (4...20 mA)		Nylon reinforced	5 cable glands	571541
			Stainless steel	6 cable glands	571549
12...48 V DC	2 digital outputs (transistors)		Nylon reinforced	5 cable glands	571542
			Stainless steel	6 cable glands	571550
	2 digital outputs (transistors) + analogue output (4...20 mA)		Nylon reinforced	5 cable glands	571543
			Stainless steel	6 cable glands	571551
<b>Compact variant without display</b>					
100...240 V AC	2 digital outputs (transistors)	Without	Nylon reinforced	5 cable glands	571544
			Stainless steel	6 cable glands	571552
	2 digital outputs (transistors) + analogue output (4...20 mA)		Nylon reinforced	5 cable glands	571545
			Stainless steel	6 cable glands	571553
12...48 V DC	2 digital outputs (transistors)		Nylon reinforced	5 cable glands	571546
			Stainless steel	6 cable glands	571554
	2 digital outputs (transistors) + analogue output (4...20 mA)		Nylon reinforced	5 cable glands	571547
			Stainless steel	6 cable glands	571555

**Further variants on request**

	<b>Material</b> Aluminium
	<b>Additional</b> <ul style="list-style-type: none"> <li>• Compact variant for horizontal mounting or remote variant</li> <li>• Variant with display (visible from the top or from the front) or without display</li> <li>• Outputs :                     <ul style="list-style-type: none"> <li>– 4...20 mA (1 or 2)</li> <li>– RS 485 (with protocol Modbus)</li> <li>– 2 transistors</li> </ul> </li> <li>• Measurement deviation of 0.4 % of the measured value</li> <li>• Industrial communication:                     <ul style="list-style-type: none"> <li>– RS 485 (with protocol Modbus)</li> <li>– HART</li> <li>– Wi-Fi (for parameter settings)</li> </ul> </li> <li>• Data logger with memory card 4GB</li> <li>• Degree of protection according to IEC/EN 60529: IP68</li> </ul>

DTS 1000463561 EN Version: F Status: RL (released | freigegeben | valide) printed: 06.02.2024

**SE58 S transmitter**

**Note:**

- Not all SE58 S transmitter variants are listed in the following table. If the desired variant is not mentioned, please contact your Bürkert representative.

Operating voltage	Outputs	Industrial communication	Housing material	Electrical connection	Article no.
<b>Compact variant with display</b>					
12...30 V DC <sup>1.)</sup>	2 digital outputs (transistors)	Without	Stainless steel polished	Cable gland with 2 m cable, already connected	571582
	2 digital outputs (transistors) + analogue output (4...20 mA)				571583
<b>Compact variant without display</b>					
12...30 V DC <sup>1.)</sup>	2 digital outputs (transistors)	Without	Stainless steel polished	Cable gland with 2 m cable, already connected	571580
	2 digital outputs (transistors) + analogue output (4...20 mA)				571581

1.) 12...30 V DC if not using mA output or 18...30 V DC if using mA output

Further variants on request	
	<b>Electrical connection</b> 1 x 5-pin M12 female connector
	<b>Material</b> Aluminium, raw stainless steel, polished stainless steel
	<b>Additional</b> <ul style="list-style-type: none"> <li>• Variant with display</li> <li>• Degree of protection according to IEC/EN 60529: IP68</li> </ul>

**8.5. Ordering chart accessories**

Description	Article no.
USB cable with connector mini B and A, length 1.8 m	919499

DTS 1000463561 EN Version: F Status: RL (released | freigegeben | valide) printed: 06.02.2024