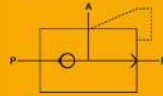


KKP Quick Exhaust Valve



Specifications

Model	KKP-06	KKP-08	KKP-10	KKP-15
Working medium	Clean air(After 40 μ m filtration)			
Working pressure(MPa)	0.15~0.8			
Guaranteed. pressure resistance (MPa)	1.2			
Working temperature (°C)	-5~60			
Port size	1/8" - 1/2"			

How to Order?

Series No.	Port Size	Thread Type
KKP: Quick exhaust valve	06: 1/8" 10: 3/8" 08: 1/4" 15: 1/2"	Blank: G P: PT T: NPT

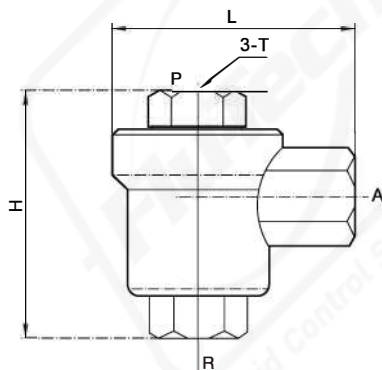
Product Features

- * Normally working with main valve together, not be used separately
- * Provide assistance to control the system better

Order Example:

KKP quick exhaust valve. 1/4" port size, G thread, ERP code is: KKP-08

Main Dimension



Model	T	H	L
KKP-6	1/8"	37	41.5
KKP-8	1/4"	45.5	38
KKP-10	3/8"	56	46.5
KKP-15	1/2"	67	54

FLU-TECH CO. LTD.

Email: sales@flutech.co.th Website: <https://flutech.co.th>

Tel: 02-384-6060, 086-369-5871-3 Fax: 02-384-5701 LINE OA: @flutech.co.th

Address (HQ): 845/3-4, Moo 3, Theparak Rd., T. Theparak, A. Mueang Samut Prakan, Samut Prakan, 10270, Thailand

