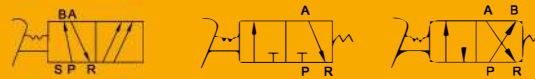


F

Foot Valve (3/2, 4/2, 5/2)



Product Features

- * Strong design and work in harsh environment
- * Various types are available

How to Order?

Series No.	Ways	Positions	Valve Body Size	Type	Port Size	Valve Type	Thread Type
F: F series foot valve	3: 3 ways 4: 4 ways 5: 5 ways	2: 2 position	2: 2 series	Blank: No cover C: With cover	06: 1/8 " 08: 1/4 "	Blank: Basic type L: With lock	Blank G P: PT T: NPT

Order Example:

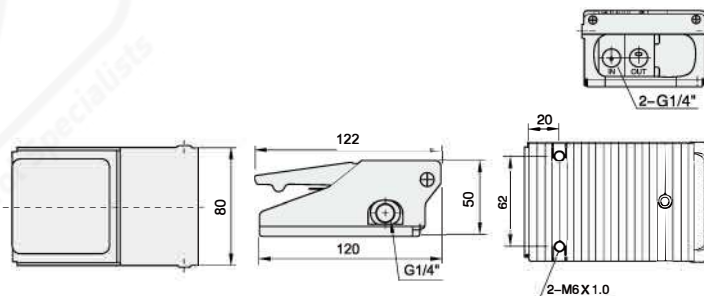
F series foot valve, 5/2 way, 2 series valve body, without cover, 1/4" port size, with lock, G thread, ERP code is: F522-08L

Specifications

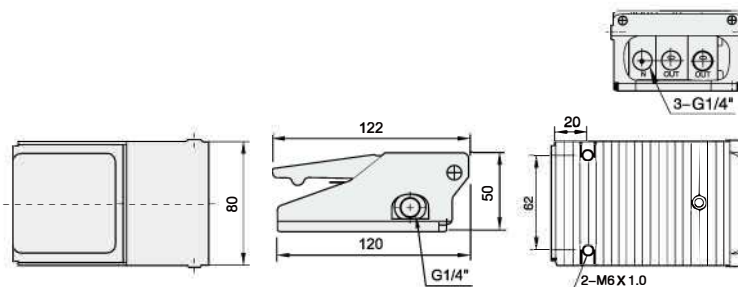
Model	F322	F422	F522
Working medium		Clean air(After 40 μm filtration)	
Acting type		External control	
Lubrication		Not required	
Working pressure (MPa)		0-0.8	
Max pressure (MPa)		1.2	
Working temperature (°C)		-5-60	
Port size		1/8 " , 1/4 "	

Main Dimension

F322-08



F422-08

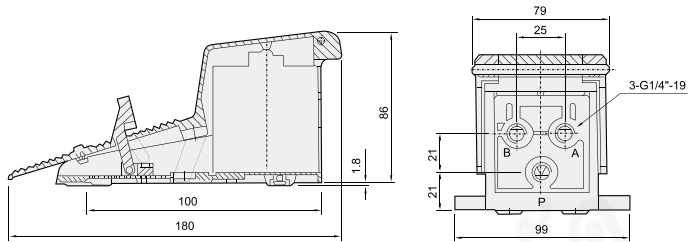


F Series Foot Valve (3/2, 4/2, 5/2 way)

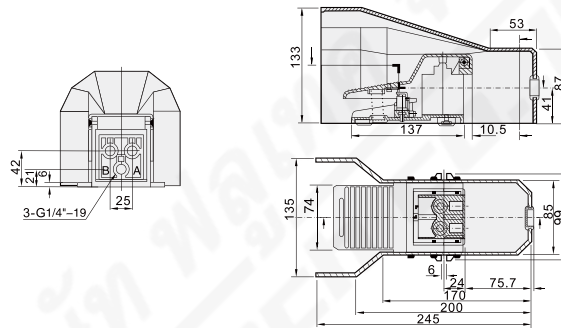


○ Main Dimension

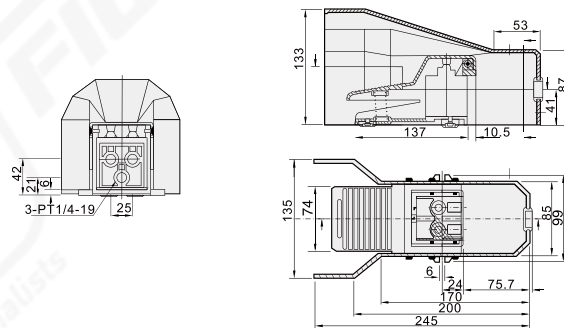
F522-08L



F522C-08L



F522C-08



FLU-TECH CO. LTD.

Email: sales@flutech.co.th **Website:** https://flutech.co.th

Tel: 02-384-6060, 086-369-5871-3 **Fax:** 02-384-5701 **LINE OA:** @flutech.co.th

Address (HQ): 845/3-4, Moo 3, Theparak Rd., T. Theparak, A. Mueang Samut Prakan, Samut Prakan, 10270, Thailand

LINE OA

WEBSITE

