



### Pneumatically operated 2/2-way diaphragm valve CLASSIC with plastic valve body

- Flow optimised and zero dead space body
- Hermetical separation of the medium from the actuator by a diaphragm
- Universal and robust actuators with modular accessory program
- Self-draining plastic valve bodies with thread, socket, or flange connection
- Suitable for aggressive and corrosive media

Product variants described in the data sheet may differ from the product presentation and description.

#### Can be combined with

|  |  |   |
|--|--|---|
|  | <b>Type SV02</b><br>Diaphragms   | ▶ |
|  | <b>Type 2034</b><br>Multifunction block solutions  | ▶ |
|  | <b>Type 2933</b><br>2/2-way diaphragm valve with manually operated actuator (basic)                  | ▶ |
|  | <b>Type 2036</b><br>Robolux multiway diaphragm valve, pneumatically operated                         | ▶ |
|  | <b>Type 8690</b><br>Pneumatic control unit for decentralised automation of process valves<br>ELEMENT | ▶ |
|  | <b>Type 8697</b><br>Pneumatic control unit for decentralised automation of process valves<br>ELEMENT | ▶ |
|  | <b>Type 8098</b><br>FLOWave SAW flowmeter  | ▶ |

#### Type description

Externally controlled diaphragm valve with piston actuator and diaphragm seal. As standard, actuator made of PA. The flow optimised and zero dead space valve body makes high flow rates possible.

DTS 1000450587 EN Version: J Status: RL (released | freigegeben | validé) printed: 08.05.2024

**FLU-TECH CO. LTD.**

**Email:** sales@flutech.co.th **Website:** https://flutech.co.th

**Tel:** 02-384-6060, 086-369-5871-3 **Fax:** 02-384-5701 **LINE OA:** @flutech.co.th

**Address (HQ):** 845/3-4, Moo 3, Theparak Rd., T. Theparak, A. Mueang Samut Prakan, Samut Prakan, 10270, Thailand



## Table of contents

|  |           |
|--|-----------|
| <b>1. General technical data</b>                                 | <b>3</b>  |
| <b>2. Approvals and conformities</b>                             | <b>5</b>  |
| 2.1. General notes.....  | 5         |
| 2.2. Conformity .....  | 5         |
| 2.3. Standards.....  | 5         |
| 2.4. Explosion protection .....                                  | 5         |
| 2.5. Foods and beverages/Hygiene .....                           | 5         |
| 2.6. Others .....  | 6         |
| <b>3. Materials</b>  | <b>6</b>  |
| 3.1. Bürkert resistApp .....                                     | 6         |
| 3.2. Pressure temperature diagram for plastic body.....          | 6         |
| 3.3. Material specifications .....                               | 7         |
| 3.4. Example of available membrane materials .....               | 8         |
| <b>4. Dimensions</b>   | <b>8</b>  |
| 4.1. Actuator .....  | 8         |
| CLASSIC actuator.....  | 8         |
| CLASSIC actuator with interface for block mounting (MT85).....   | 9         |
| CLASSIC actuator with control unit Type 8697 .....               | 10        |
| 4.2. Forged steel valve body (VS) with welded connection .....   | 11        |
| 4.3. Forged steel valve body (VS) with clamp connection .....    | 13        |
| 4.4. Tube valve body (VP) with welded connection .....           | 15        |
| 4.5. Tube valve body (VP) with clamp connection .....            | 16        |
| 4.6. Tube valve body (VP) with threaded connection.....          | 17        |
| 4.7. Tube valve body (VP) with flange connection .....           | 18        |
| 4.8. Cast valve body (VG) with welded connection .....           | 19        |
| 4.9. Cast valve body (VG) with clamp connection .....            | 21        |
| 4.10. Plastic body (PV, PD, PP) with spigot connection .....     | 22        |
| 4.11. Plastic body (PV, PD, PP) with true union .....            | 23        |
| 4.12. Plastic body (PV, PD, PP) with flange connection.....      | 24        |
| <b>5. Performance specifications</b>                             | <b>25</b> |
| 5.1. Flow characteristics .....                                  | 25        |
| Forged steel valve body (VS) .....                               | 25        |
| Tube valve body (VP).....  | 25        |
| Cast valve body (VG) .....                                       | 26        |
| Plastic body (PV, PD, PP).....                                   | 26        |
| 5.2. Medium pressure .....                                       | 26        |
| <b>6. Product accessories</b>                                    | <b>27</b> |
| <b>7. Networking and combination with other Bürkert products</b> | <b>28</b> |
| <b>8. Ordering information</b>                                   | <b>29</b> |
| 8.1. Bürkert eShop.....  | 29        |
| 8.2. Bürkert product filter.....                                 | 29        |
| 8.3. Bürkert Product Enquiry Form .....                          | 29        |

DTS 1000450587 EN Version: J Status: RL (released | freigegeben | validé) printed: 08.05.2024

## 1. General technical data

| Product properties                                 |  |
|--|--|
| Dimensions   | Further information can be found in chapter "4. Dimensions" on page 8.   |
| <b>Material<sup>1)</sup></b>                       |  |
| Forged steel valve body (VS) <sup>1)</sup>         | Forged material 1.4435 according to BN2 DIN EN 10222-5, F316L according to ASTM A182 / A182M and 316 I according to ASME BPE   |
| Tube valve body (VP) <sup>1)</sup>                 | Stainless steel tube 1.4435-BN2 / UNS S31603 (316L) according to DIN 11866, ASTM A269 / A270, DIN EN 10217-7 / 10216-5   |
| Cast valve body (VG) <sup>1)</sup>                 | Investment cast material 1.4435 / 316 I  |
| Plastic body (PV, PP, PD) <sup>1)</sup>            | PVC (PVC-U), PP, PVDF  |
| Diaphragm  | EPDM (AD) <sup>1)</sup> , PTFE/EPDM (EA) <sup>1)</sup> , Advanced PTFE/EPDM (EU) <sup>1)</sup> , laminate of GYLON® and EPDM (ER) <sup>1)</sup>  |
| Actuator   | PPS, PA  |
| Diaphragm size                                     | 8...100, for tube valve body 8...50 mm, for plastic body 15...100  |
| <b>Standard surface quality</b>                    |  |
| Forged steel valve body (VS) <sup>1)</sup>         | Internally electrically polished: Ra ≤ 0.38 µm (NO17) <sup>1)</sup> (ASME BPE SF4 / DIN HE4) (externally forged surface, electrically polished)<br>Internally mechanically polished: Ra ≤ 0.5 µm (NO14) <sup>1)</sup> (ASME BPE SF1) (externally forged surface) |
| Tube valve body (VP) <sup>1)</sup>                 | Internally electrically polished: Ra ≤ 0.38 µm (NO17) <sup>1)</sup> (ASME BPE SF4 / DIN HE4)<br>Internally glass bead blasted: Ra ≤ 1.6 µm (NO05) <sup>1)</sup><br>(externally glass bead blasted: Ra ≤ 1.6 µm (NO01)) <sup>1)</sup>                             |
| Cast valve body (VG) <sup>1)</sup>                 | Internally electrically polished: Ra ≤ 0.6 µm (NO16) <sup>1)</sup> (ASME BPE SF6) (externally cast surface, electrically polished)<br>Internally mechanically polished: Ra ≤ 0.76 µm (NO06) <sup>1)</sup> (ASME BPE SF3 / DIN H2) (externally cast surface)      |
| <b>Performance data</b>                            |  |
| Maximum pilot pressure(CF A)                       | 7 bar (for actuator size 40 <sup>1)</sup> ...125 <sup>1)</sup> /PPS)<br>6 bar (for actuator size 175 <sup>1)</sup> and 225 <sup>1)</sup> /PA)<br>See "5.2. Medium pressure" on page 26   |
| Pilot air port                                     | Thread G ¼, thread G ⅜ for actuator size 40 and 50   |
| <b>Medium data</b>                                 |  |
| Process medium                                     | Neutral gases and fluids, highly purified, sterile, aggressive or abrasive medium (see <b>resistance chart</b> ▶)  |
| <b>Medium temperature</b>                          |  |
| EPDM (AD) <sup>1)</sup>                            | -10...+143 °C (steam sterilisation + 150 °C for 60 min)  |
| PTFE/EPDM (EA) <sup>1)</sup>                       | -10...+130 °C (steam sterilisation + 140 °C for 60 min)  |
| Advanced PTFE/EPDM (EU) <sup>1)</sup>              | -5...+143 °C (steam sterilisation + 150 °C for 60 min)   |
| Laminate of GYLON® and EPDM (ER) <sup>1)</sup>     | -5...+130 °C (steam sterilisation + 140 °C for 60 min)   |
| Plastic body                                       | See "3.2. Pressure temperature diagram for plastic body" on page 6   |
| Control medium                                     | Neutral gases, air   |
| <b>Process/Port connection &amp; communication</b> |  |
| Nominal diameter (port connection)                 | DN 06...DN 100 (⅙"...4")   |
| <b>Port connection<sup>2)</sup></b>                |  |
| <b>For stainless steel body<sup>3)</sup></b>       |  |
| Welded connection <sup>2)</sup>                    | DIN EN ISO 1127 / ISO 4200 / DIN 11866 series B<br>DIN 11850-2 / DIN 11866 series A / DIN EN 10357 series A<br>ASME BPE / DIN 11866 series C   |
| Clamp connection <sup>2)</sup>                     | DIN 32676 series A (DIN pipe)<br>DIN 32676 series B (ISO pipe)<br>ASME BPE   |
| <b>For plastic body</b>                            |  |
| Spigot connection                                  | DN 15...DN 50  |
| True union   | DN 15...DN 50  |
| Loose flange                                       | DN 15...DN 65  |
| Fixed flange                                       | DN 80...DN 100   |

**Environment and installation**

 Installation position      See **operating manual Type 2031** ▶

**Ambient temperature<sup>4)</sup>**

|                                   |  |
|-----------------------------------|--|
| PPS, actuator size ≤ 80 mm        | +5...+140 °C <sup>5)</sup>                           |
| PPS, actuator size 100 mm, 125 mm | +5...+90 °C (short-term up to +140 °C) <sup>5)</sup> |
| PA, actuator size ≤ 125 mm        | -10...+60 °C <sup>5)</sup>                           |
| PA, actuator size ≥ 175 mm        | -10...+50 °C <sup>5)</sup>                           |

1.) This information is part of the product key (see "8.3. Bürkert Product Enquiry Form" on page 29).

2.) Further variants are available on request.

3.) Tube valve body (VP) also available with flange and threaded connections

4.) With plastic housings, a temperature limitation due to housing material is possible.

5.) For standard variant

## 2. Approvals and conformities

### 2.1. General notes

- The approvals and conformities listed below must be stated when making enquiries. This is the only way to ensure that the product complies with all required specifications.
- Not all available versions can be supplied with the below mentioned approvals or conformities.



### 2.2. Conformity

In accordance with the Declaration of Conformity, the product is compliant with the EU Directives.



### 2.3. Standards

The applied standards which are used to demonstrate compliance with the EU Directives are listed in the EU-Type Examination Certificate and/or the EU Declaration of Conformity.

### 2.4. Explosion protection

| Approval  | Description  |                   |                 |    |    |                                 |          |          |          |                     |                 |                 |                 |                            |          |          |          |
|---|--|-------------------|-----------------|----|----|---------------------------------|----------|----------|----------|---------------------|-----------------|-----------------|-----------------|----------------------------|----------|----------|----------|
| <br> | <p><b>Optional: Explosion protection (valid for the variable code PX51)</b><br/>As a category 2 device suitable for zone 1/21 and zone 2/22.</p> <p><b>ATEX:</b><br/>EPS 18 ATEX 2 008 X<br/>II 2G Ex h IIC T4...T2 Gb<br/>II 2D Ex h IIIC T135 °C...T300 °C Db</p> <p><b>IECEx:</b><br/>IECEx EPS 18.0007X<br/>Ex h IIC T4...T2 Gb<br/>Ex h IIIC T135 °C...T300 °C Db</p> <table border="1"> <thead> <tr> <th>Temperature class</th> <th>T2</th> <th>T3</th> <th>T4</th> </tr> </thead> <tbody> <tr> <td>Permissible surface temperature</td> <td>+ 300 °C</td> <td>+ 200 °C</td> <td>+ 135 °C</td> </tr> <tr> <td>Ambient temperature</td> <td>- 40...+ 130 °C</td> <td>- 40...+ 130 °C</td> <td>- 40...+ 100 °C</td> </tr> <tr> <td>Maximum medium temperature</td> <td>+ 285 °C</td> <td>+ 185 °C</td> <td>+ 125 °C</td> </tr> </tbody> </table> | Temperature class | T2              | T3 | T4 | Permissible surface temperature | + 300 °C | + 200 °C | + 135 °C | Ambient temperature | - 40...+ 130 °C | - 40...+ 130 °C | - 40...+ 100 °C | Maximum medium temperature | + 285 °C | + 185 °C | + 125 °C |
| Temperature class   | T2   | T3                | T4              |    |    |                                 |          |          |          |                     |                 |                 |                 |                            |          |          |          |
| Permissible surface temperature   | + 300 °C   | + 200 °C          | + 135 °C        |    |    |                                 |          |          |          |                     |                 |                 |                 |                            |          |          |          |
| Ambient temperature   | - 40...+ 130 °C  | - 40...+ 130 °C   | - 40...+ 100 °C |    |    |                                 |          |          |          |                     |                 |                 |                 |                            |          |          |          |
| Maximum medium temperature  | + 285 °C   | + 185 °C          | + 125 °C        |    |    |                                 |          |          |          |                     |                 |                 |                 |                            |          |          |          |

### 2.5. Foods and beverages/Hygiene

| Conformity  | Description  |
|---|--|
|  | <p><b>3-A Sanitary Standards Inc. (valid for the variable code PE05)</b><br/>The products comply with 3-A Sanitary Standards Inc (3-A SSI) as per certificate.</p>   |
| <p><b>FDA</b></p>   | <p><b>FDA – Code of Federal Regulations</b><br/>The diaphragms made of EPDM (AD), PTFE/EPDM (EA), Advanced PTFE/EPDM (EU) and laminate of GYLON® and EPDM (ER) comply with the Code of Federal Regulations published by the FDA (Food and Drug Administration, USA).</p>                       |
| <p><b>USP</b></p>   | <p><b>United States Pharmacopeial Convention (USP)</b><br/>The diaphragms made of EPDM (AD), PTFE/EPDM (EA), Advanced PTFE/EPDM (EU) and laminate of GYLON® and EPDM (ER) are tested according to USP Class VI.</p>  |
|  | <p><b>EC Regulation 1935/2004 of the European Parliament and of the Council</b><br/>The diaphragms made of EPDM (AD), PTFE/EPDM (EA), Advanced PTFE/EPDM (EU) and laminate of GYLON® and EPDM (ER) are suitable for use with food and beverages (according to EC Regulation 1935/2004/EC).</p> |


DTS 1000450587 EN Version: J Status: RL (released | freigegeben | validé) printed: 08.05.2024

2.6. Others

| Conformity | Description   |
|------------|---|
| TA Luft    | Technical instruction on air quality control (valid for the variable code PM01) |

3. Materials

3.1. Bürkert resistApp



**Bürkert resistApp – Chemical resistance chart**

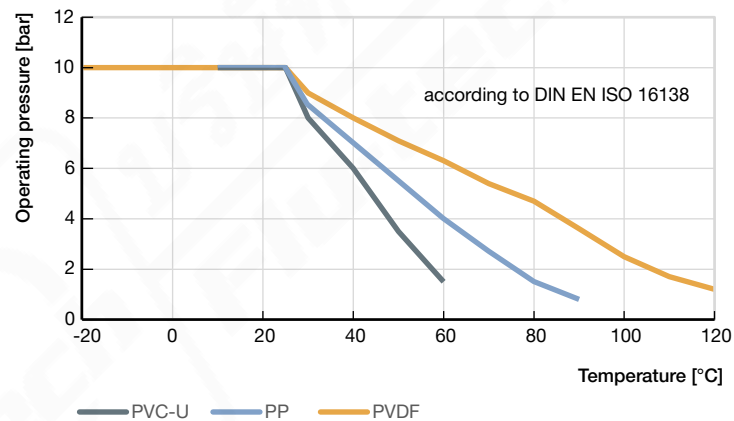
You want to ensure the reliability and durability of the materials in your individual application case? Verify your combination of media and materials on our website or in our resistApp.

Start chemical resistance check

3.2. Pressure temperature diagram for plastic body

Note:

This information is important for material selection. Observe the permissible operating pressure depending on the medium temperature.



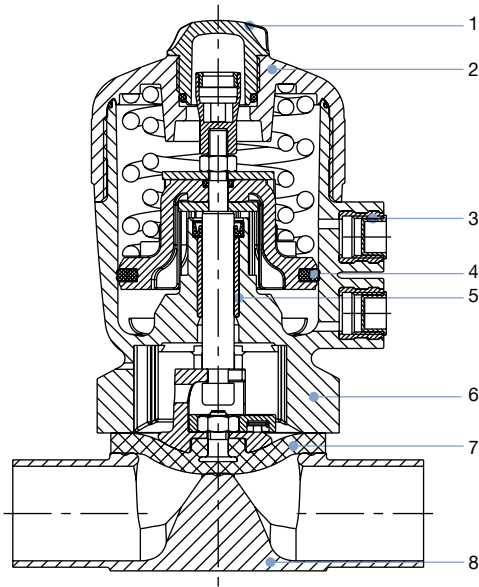
DTS 1000450587 EN Version: J Status: RL (released | freigegeben | valide) printed: 08.05.2024

### 3.3. Material specifications

#### Actuator size 40...125

**Note:**

The exemplary representation may differ from the actual product.

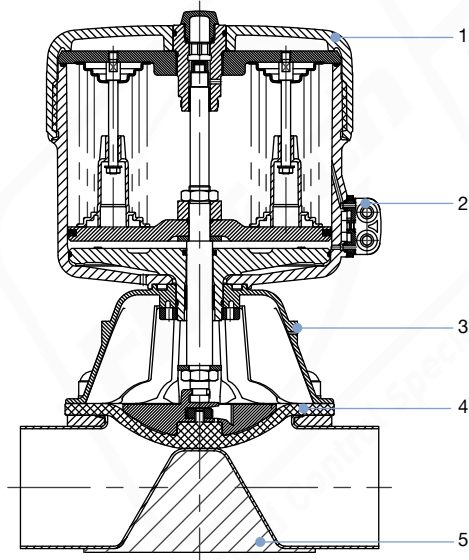


| No. | Element         | Material  |
|-----|-----------------|---|
| 1   | Transparent cap | Polysulfone PSU   |
| 2   | Cover           | Polyphenylene sulphide PPS (standard)<br>Polyamide PA (on request)  |
| 3   | Pilot air ports | Stainless steel 1.4305  |
| 4   | Piston seal     | FKM   |
| 5   | Socket          | Sinter metal  |
| 6   | Interface       | Polyphenylene sulphide PPS (Standard)<br>Polyamide PA (on request)<br>Stainless steel 1.4404 (on request) |
| 7   | Diaphragm       | EPDM (AD), PTFE/EPDM (EA),<br>Advanced PTFE/EPDM (EU),<br>laminate of GYLON® and EPDM (ER)                |
| 8   | Valve body      | See "1. General technical data" on page 3   |

#### Actuator size 175 and 225

**Note:**

The exemplary representation may differ from the actual product.



| No. | Element          | Material   |
|-----|------------------|--|
| 1   | Cover            | Polyamide PA   |
| 2   | Pilot air ports  | Stainless steel 1.4305   |
| 3   | Diaphragm bonnet | Stainless steel 1.4308   |
| 4   | Diaphragm        | EPDM (AD), PTFE/EPDM (EA),<br>Advanced PTFE/EPDM (EU),<br>laminate of GYLON® and EPDM (ER) |
| 5   | Valve body       | See "1. General technical data" on page 3  |

DTS 1000450587 EN Version: J Status: RL (released | freigegeben | validé) printed: 08.05.2024

### 3.4. Example of available membrane materials

The diaphragms have been developed to meet the unique challenges of hygienic and sterile requirements. Bürkert offers diaphragms with precise material composition and high accuracy. Bürkert diaphragms are available in a wide range of materials which have been tested and proven in applications in the food and beverage, biotechnology, pharmaceutical and cosmetics industries. The diaphragms are tested during development and production to ensure reliability under difficult process conditions.



- EPDM (AD)
- PTFE/EPDM (EA)
- Advanced PTFE/EPDM (EU)
- Laminate of GYLON® and EPDM (ER)

For further information please refer to our flyer “Diaphragm competence for hygienic applications” on our [website](#) ►.

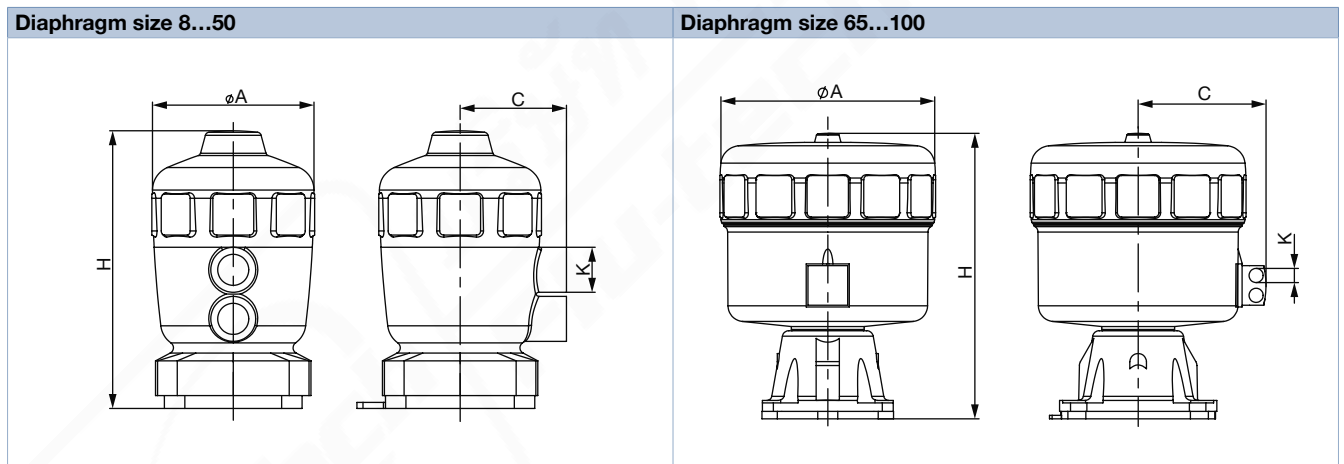
## 4. Dimensions

### 4.1. Actuator

#### CLASSIC actuator

**Note:**

Dimensions in mm, unless otherwise stated



| Diaphragm size | Actuator size Ø | ØA  | C   | K      | H   |
|----------------|-----------------|-----|-----|--------|-----|
| 8              | 40 (C)          | 53  | 34  | G 1/8" | 89  |
| 15             | 50 (D)          | 64  | 39  | G 1/8" | 108 |
|                | 63 (E)          | 80  | 52  | G 1/4" | 125 |
| 20             | 63 (E)          | 80  | 52  | G 1/4" | 131 |
|                | 80 (F)          | 101 | 60  | G 1/4" | 152 |
| 25             | 63 (E)          | 80  | 52  | G 1/4" | 136 |
|                | 80 (F)          | 101 | 60  | G 1/4" | 156 |
| 40             | 100 (G)         | 127 | 73  | G 1/4" | 205 |
|                | 125 (H)         | 158 | 86  | G 1/4" | 243 |
| 50             | 100 (G)         | 127 | 73  | G 1/4" | 207 |
|                | 125 (H)         | 158 | 86  | G 1/4" | 242 |
| 65             | 175 (K)         | 211 | 130 | G 1/4" | 350 |
| 80             | 175 (K)         | 211 | 130 | G 1/4" | 350 |
|                | 225 (L)         | 261 | 155 | G 1/4" | 345 |
| 100            | 225 (L)         | 261 | 155 | G 1/4" | 345 |

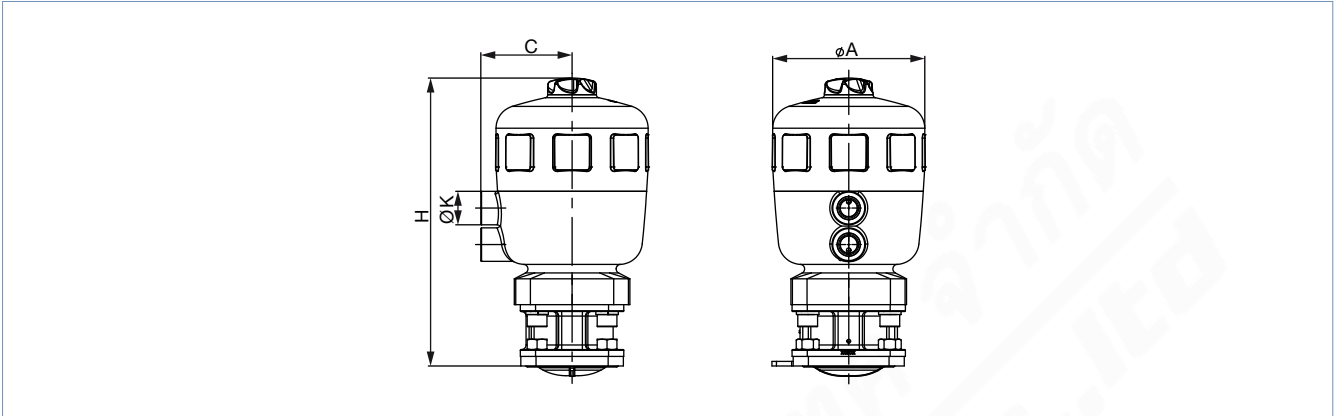
DTS 1000450587 EN Version: J Status: RL (released | freigegeben | valide) printed: 08.05.2024



**CLASSIC actuator with interface for block mounting (MT85)**

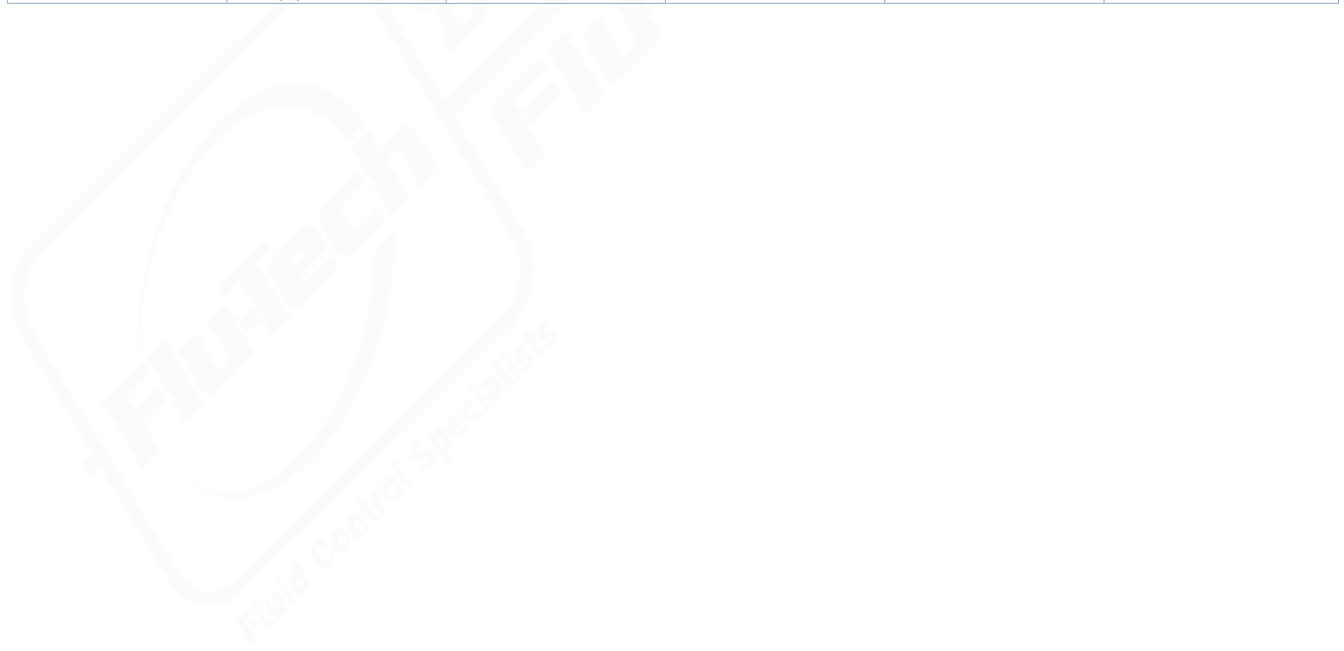
**Note:**

Dimensions in mm, unless otherwise stated



| Diaphragm size | Actuator size Ø | H   | ØA  | C  | K      |
|----------------|-----------------|-----|-----|----|--------|
| 8              | 40 (C)          | 111 | 53  | 34 | G 1/8" |
| 15             | 50 (D)          | 137 | 64  | 39 | G 1/8" |
|                | 63 (E)          | 154 | 80  | 52 | G 1/4" |
| 20             | 63 (E)          | 165 | 80  | 52 | G 1/4" |
|                | 80 (F)          | 186 | 101 | 52 | G 1/4" |
| 25             | 63 (E)          | 170 | 80  | 52 | G 1/4" |
|                | 80 (F)          | 190 | 101 | 60 | G 1/4" |
| 40             | 100 (G)         | 246 | 127 | 73 | G 1/4" |
|                | 125 (H)         | 284 | 158 | 86 | G 1/4" |
| 50             | 100 (G)         | 254 | 127 | 73 | G 1/4" |
|                | 125 (H)         | 288 | 158 | 86 | G 1/4" |

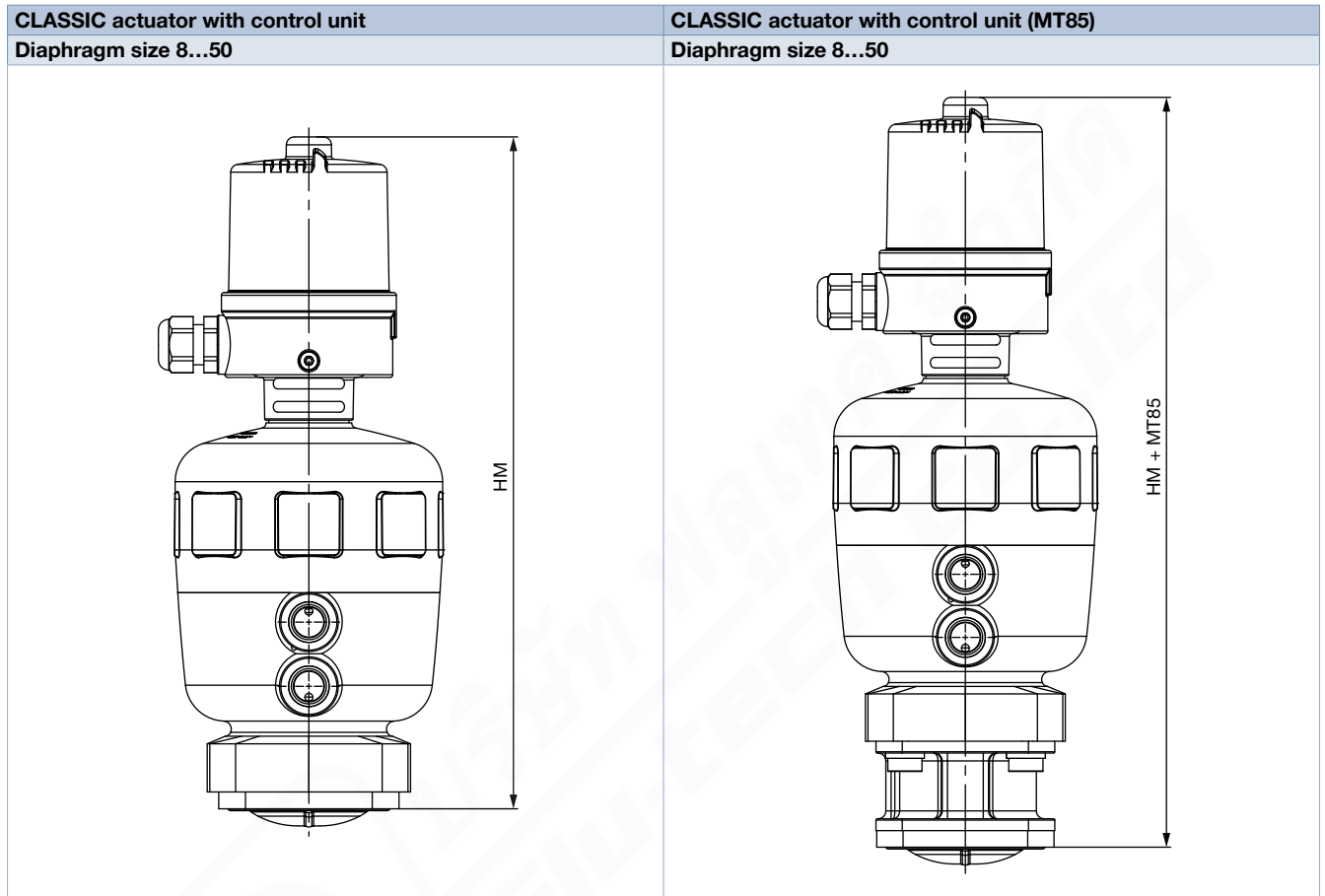
DTS 1000450587 EN Version: J Status: RL (released | freigegeben | valide) printed: 08.05.2024



**CLASSIC actuator with control unit Type 8697**

**Note:**

Dimensions in mm, unless otherwise stated



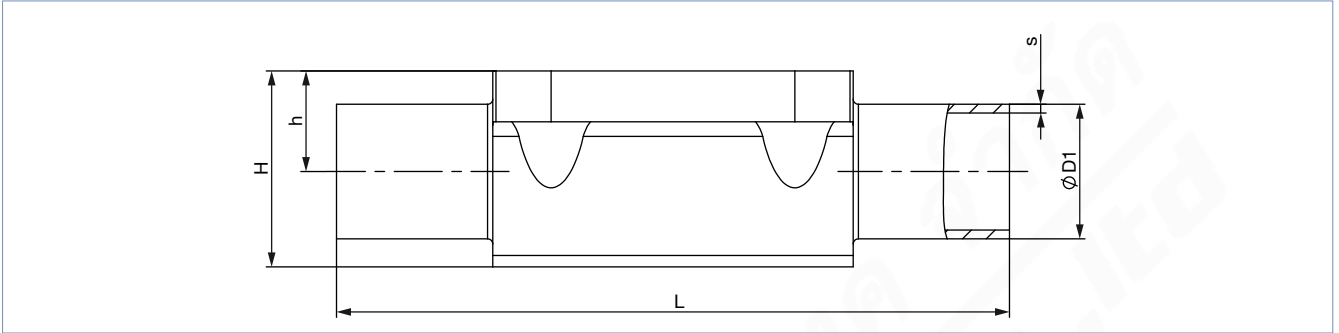
| Diaphragm size | Actuator size Ø | HM  | HM + MT85 |
|----------------|-----------------|-----|-----------|
| 8              | 40 (C)          | 185 | 207       |
| 15             | 50 (D)          | 204 | 233       |
|                | 63 (E)          | 220 | 249       |
| 20             | 63 (E)          | 227 | 261       |
|                | 80 (F)          | 247 | 281       |
| 25             | 63 (E)          | 232 | 266       |
|                | 80 (F)          | 252 | 286       |
| 40             | 100 (G)         | 298 | 339       |
|                | 125 (H)         | 336 | 377       |
| 50             | 100 (G)         | 301 | 347       |
|                | 125 (H)         | 335 | 381       |
| 65             | 175 (K)         | -   | 437       |
| 80             | 175 (K)         | -   | 446       |
|                | 225 (L)         | -   | 440       |
| 100            | 225 (L)         | -   | 440       |

DTS 1000450587 EN Version: J Status: RL (released | freigegeben | validé) printed: 08.05.2024

4.2. Forged steel valve body (VS) with welded connection

Note:

- Dimensions in mm, unless otherwise stated
- Further information on the draining angle can be found in the “Additional manual Type 2xxx 3xxx” on our website (see **operating instructions Type 2031** ▶).



| Diaphragm size  | Port connection DN | ØD1   | s   | L   | h     | H     | Product key <sup>1)</sup> |
|---|--------------------|-------|-----|-----|-------|-------|---------------------------|
| <b>DIN EN ISO 1127 / ISO 4200 / DIN 11866 series B</b>          |                    |       |     |     |       |       |                           |
| 8   | 8                  | 13.5  | 1.6 | 90  | 9.3   | 18.8  | SA40                      |
| 15  | 8                  | 13.5  | 1.6 | 108 | 8.15  | 19.85 | SA40                      |
| 8   | 10                 | 17.2  | 1.6 | 90  | 9.3   | 18.8  | SA41                      |
| 15  | 10                 | 17.2  | 1.6 | 110 | 12.05 | 23.75 | SA41                      |
| 15  | 15                 | 21.3  | 1.6 | 110 | 12.05 | 23.75 | SA42                      |
| 20  | 15                 | 21.3  | 1.6 | 119 | 16    | 30.3  | SA42                      |
| 20  | 20                 | 26.9  | 1.6 | 119 | 16    | 30.3  | SA43                      |
| 25  | 20                 | 26.9  | 1.6 | 119 | 19    | 37    | SA43                      |
| 25  | 25                 | 33.7  | 2.0 | 129 | 19    | 37    | SA44                      |
| 40  | 25                 | 33.7  | 2.0 | 161 | 27.6  | 52.4  | SA44                      |
| 40  | 32                 | 42.4  | 2.0 | 161 | 27.6  | 52.4  | SA45                      |
| 40  | 40                 | 48.3  | 2.0 | 161 | 27.6  | 52.4  | SA46                      |
| 50  | 50                 | 60.3  | 2.0 | 192 | 35.5  | 68.3  | SA47                      |
| 80  | 65                 | 76.1  | 2.0 | 250 | 51    | 98.1  | SA48                      |
| 80  | 80                 | 88.9  | 2.3 | 250 | 51    | 98.1  | SA49                      |
| 100 <sup>2)</sup>   | 100                | 114.3 | 2.3 | 295 | 63.5  | 127.0 | SA39                      |
| <b>DIN 11850-2 / DIN 11866 series A / DIN EN 10357 series A</b> |                    |       |     |     |       |       |                           |
| 8   | 10                 | 13    | 1.5 | 90  | 9.3   | 18.8  | SD40                      |
| 15  | 10                 | 13    | 1.5 | 110 | 8.15  | 19.85 | SD40                      |
| 15  | 15                 | 19    | 1.5 | 110 | 12.05 | 23.75 | SD42                      |
| 20  | 20                 | 23    | 1.5 | 119 | 16.0  | 30.3  | SD43                      |
| 25  | 25                 | 29    | 1.5 | 129 | 19.0  | 37.0  | SD44                      |
| 40  | 32                 | 35    | 1.5 | 161 | 27.6  | 52.4  | SD45                      |
| 40  | 40                 | 41    | 1.5 | 161 | 27.6  | 52.4  | SD46                      |
| 50  | 50                 | 53    | 1.5 | 192 | 35.5  | 68.3  | SD47                      |
| 80  | 65                 | 70    | 2.0 | 250 | 51.0  | 98.1  | SD48                      |
| 80  | 80                 | 85    | 2.0 | 250 | 51.0  | 98.1  | SD49                      |
| 100 <sup>2)</sup>   | 100                | 104   | 2   | 295 | 63.5  | 127.0 | SD50                      |

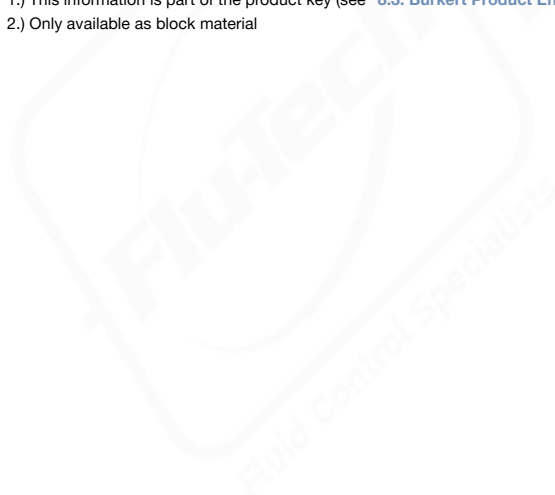
DTS 1000450587 EN Version: J Status: RL (released | freigegeben | validé) printed: 08.05.2024

| Diaphragm size                       | Port connection DN | ØD1   | s    | L   | h     | H     | Product key <sup>1.)</sup> |
|--------------------------------------|--------------------|-------|------|-----|-------|-------|----------------------------|
| <b>ASME BPE / DIN 11866 series C</b> |                    |       |      |     |       |       |                            |
| 8                                    | ¼"                 | 6.35  | 0.89 | 78  | 5.7   | 15.2  | SA90                       |
| 8                                    | ⅜"                 | 9.53  | 0.89 | 89  | 5.7   | 15.2  | SA91                       |
| 8                                    | ½"                 | 12.7  | 1.65 | 89  | 9.3   | 18.8  | SA92                       |
| 15                                   | ½"                 | 12.7  | 1.65 | 108 | 8.15  | 19.85 | SA92                       |
| 15                                   | ¾"                 | 19.05 | 1.65 | 108 | 12.05 | 23.75 | SA93                       |
| 20                                   | ¾"                 | 19.05 | 1.65 | 117 | 16.0  | 30.3  | SA93                       |
| 25                                   | 1"                 | 25.4  | 1.65 | 127 | 19.0  | 37.0  | SODF                       |
| 40                                   | 1½"                | 38.1  | 1.65 | 159 | 27.6  | 52.4  | SODH                       |
| 50                                   | 2"                 | 50.8  | 1.65 | 190 | 35.5  | 68.3  | SODI                       |
| 50                                   | 2½"                | 63.5  | 1.65 | 192 | 35.5  | 68.6  | SODJ                       |
| 80                                   | 2½"                | 63.5  | 1.65 | 250 | 51.0  | 98.1  | SODJ                       |
| 80                                   | 3"                 | 76.2  | 1.65 | 250 | 51.0  | 98.1  | SODK                       |
| 100 <sup>2.)</sup>                   | 4"                 | 101.6 | 2.11 | 295 | 63.5  | 127.0 | SODL                       |
| <b>BS 4825</b>                       |                    |       |      |     |       |       |                            |
| 8                                    | 8                  | 6.35  | 1.20 | 78  | 5.7   | 15.2  | SODB                       |
| 8                                    | 10                 | 9.53  | 1.20 | 89  | 5.7   | 15.2  | SODC                       |
| 15                                   | 15                 | 12.7  | 1.20 | 108 | 8.15  | 19.85 | SODD                       |
| 20                                   | 20                 | 19.05 | 1.20 | 117 | 16.0  | 30.3  | SODE                       |
| 25                                   | 25                 | 25.4  | 1.65 | 127 | 19.0  | 37.0  | SODF                       |
| 40                                   | 40                 | 38.1  | 1.65 | 159 | 27.6  | 52.4  | SODH                       |
| 50                                   | 50                 | 50.8  | 1.65 | 190 | 35.5  | 68.3  | SODI                       |
| 50                                   | 65                 | 63.5  | 1.65 | 192 | 35.5  | 68.6  | SODJ                       |
| 80                                   | 80                 | 63.5  | 1.65 | 250 | 51.0  | 98.1  | SODJ                       |
| 80                                   | 80                 | 76.2  | 1.65 | 250 | 51.0  | 98.1  | SODK                       |
| <b>SMS 3008</b>                      |                    |       |      |     |       |       |                            |
| 25                                   | 25                 | 25    | 1.2  | 129 | 19    | 37    | SA60                       |
| 40                                   | 40                 | 38    | 1.2  | 161 | 27.6  | 52.4  | SA62                       |
| 50                                   | 50                 | 51    | 1.2  | 192 | 35.5  | 68.3  | SA63                       |
| 100 <sup>2.)</sup>                   | 100                | 101.6 | 2    | 295 | 63.5  | 127.0 | SA66                       |
| <b>DIN 11850 series 0</b>            |                    |       |      |     |       |       |                            |
| 8                                    | 6                  | 8     | 1.0  | 90  | 5.7   | 15.2  | SC41                       |
| 8                                    | 8                  | 10    | 1.0  | 90  | 5.7   | 15.2  | SC42                       |

1.) This information is part of the product key (see "8.3. Bürkert Product Enquiry Form" on page 29).

2.) Only available as block material

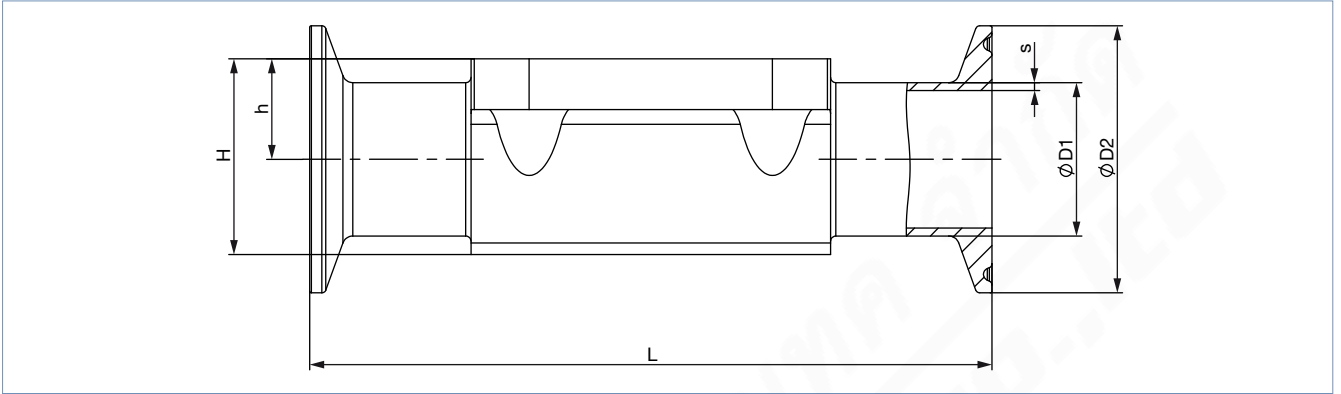
DTS 1000450587 EN Version: J Status: RL (released | freigegeben | validé) printed: 08.05.2024



### 4.3. Forged steel valve body (VS) with clamp connection

**Note:**

- Dimensions in mm, unless otherwise stated
- Further information on the draining angle can be found in the “Additional manual Type 2xxx 3xxx” on our website (see **operating instructions Type 2031** ▶).



| Diaphragm size                       | Port connection DN | ØD1   | s   | ØD2  | L   | h     | H     | Product key <sup>1.)</sup> | Variable code <sup>1.)</sup> |
|--------------------------------------|--------------------|-------|-----|------|-----|-------|-------|----------------------------|------------------------------|
| <b>DIN 32676 series B (ISO pipe)</b> |                    |       |     |      |     |       |       |                            |                              |
| 15                                   | 15                 | 21.3  | 1.6 | 50.5 | 167 | 12.05 | 23.75 | TC52                       | –                            |
| 20                                   | 20                 | 26.9  | 1.6 | 50.5 | 114 | 16.0  | 30.3  | TC43                       | –                            |
| 25                                   | 25                 | 33.7  | 2   | 50.5 | 129 | 19    | 37    | TC44                       | –                            |
| 40                                   | 40                 | 48.3  | 2   | 64.0 | 161 | 27.6  | 52.4  | TC46                       | –                            |
| 50                                   | 50                 | 60.3  | 2   | 77.5 | 190 | 35.5  | 68.3  | TC47                       | –                            |
| 65                                   | 65                 | 76.1  | 2   | 91   | 190 | 35.5  | 63.3  | TC48                       | –                            |
| 80                                   | 80                 | 88.9  | 2.3 | 106  | 222 | 51.0  | 98.1  | TC49                       | –                            |
| 100 <sup>2.)</sup>                   | 100                | 114.3 | 2.3 | 130  | 350 | 63.5  | 127.0 | TC50                       | –                            |
| <b>DIN 32676 series A (DIN pipe)</b> |                    |       |     |      |     |       |       |                            |                              |
| 8                                    | 10                 | 13    | 1.5 | 34.0 | 126 | 9.3   | 18.8  | TD41                       | –                            |
| 15                                   | 10                 | 13    | 1.5 | 34.0 | 110 | 8.15  | 19.85 | TD41                       | –                            |
| 15                                   | 15                 | 19    | 1.5 | 34.0 | 110 | 12.05 | 23.75 | TD42                       | –                            |
| 20                                   | 20                 | 23    | 1.5 | 34.0 | 119 | 16    | 30.3  | TD43                       | –                            |
| 25                                   | 25                 | 29    | 1.5 | 50.5 | 129 | 19    | 37    | TD44                       | –                            |
| 40                                   | 40                 | 41    | 1.5 | 50.5 | 161 | 27.6  | 52.4  | TD46                       | –                            |
| 50                                   | 50                 | 53    | 1.5 | 64.0 | 192 | 35.5  | 68.3  | TD47                       | –                            |
| 65                                   | 65                 | 70    | 2   | 91   | 248 | 43.0  | 83.5  | TC48                       | –                            |
| 80                                   | 80                 | 70    | 2   | 91   | 222 | 51.0  | 98.1  | TC49                       | –                            |

DTS 1000450587 EN Version: J Status: RL (released | freigegeben | validé) printed: 08.05.2024

| ASME BPE          |        |       |      |      |      |       |       |      |      |
|-------------------|--------|-------|------|------|------|-------|-------|------|------|
| 8                 | 1/4"   | 6.35  | 0.89 | 25.0 | 64.5 | 5.7   | 15.2  | TG50 | –    |
| 8                 | 3/8"   | 9.53  | 0.89 | 25.0 | 89   | 5.7   | 15.2  | TG01 | AF34 |
| 8                 | 1/2"   | 12.7  | 1.65 | 25.0 | 64   | 9.3   | 18.8  | TG02 | –    |
| 8                 | 1/2"   | 12.7  | 1.65 | 25.0 | 89   | 9.3   | 18.8  | TG02 | AF34 |
| 15                | 1/2"   | 12.7  | 1.65 | 25.0 | 89   | 8.15  | 19.85 | TG02 | –    |
| 15                | 1/2"   | 12.7  | 1.65 | 25.0 | 108  | 8.15  | 19.85 | TG02 | AF34 |
| 15                | 3/4"   | 19.05 | 1.65 | 25.0 | 89   | 12.05 | 23.75 | TG03 | –    |
| 20                | 3/4"   | 19.05 | 1.65 | 25.0 | 102  | 16    | 30.3  | TG03 | –    |
| 20                | 3/4"   | 19.05 | 1.65 | 25.0 | 117  | 16    | 30.3  | TG03 | AF34 |
| 25                | 1"     | 25.4  | 1.65 | 50.5 | 114  | 19    | 37    | TG04 | –    |
| 25                | 1"     | 25.4  | 1.65 | 50.5 | 127  | 19    | 37    | TG04 | AF34 |
| 40                | 1 1/2" | 38.1  | 1.65 | 50.5 | 140  | 27.6  | 52.4  | TG05 | –    |
| 40                | 1 1/2" | 38.1  | 1.65 | 50.5 | 159  | 27.6  | 52.4  | TG05 | AF34 |
| 50                | 2"     | 50.8  | 1.65 | 64.0 | 159  | 35.5  | 68.3  | TG06 | –    |
| 50                | 2"     | 50.8  | 1.65 | 64.0 | 190  | 35.5  | 68.3  | TG06 | AF34 |
| 65                | 2 1/2" | 63.5  | 1.65 | 77.5 | 249  | 43    | 83.5  | TG07 | –    |
| 80                | 2 1/2" | 63.5  | 1.65 | 77.5 | 216  | 51    | 98.1  | TG07 | –    |
| 80                | 3"     | 76.2  | 1.65 | 91.0 | 222  | 51    | 98.1  | TG08 | –    |
| 100 <sup>2)</sup> | 4"     | 101.6 | 2.11 | 119  | 306  | 63.5  | 127.0 | TG09 | –    |

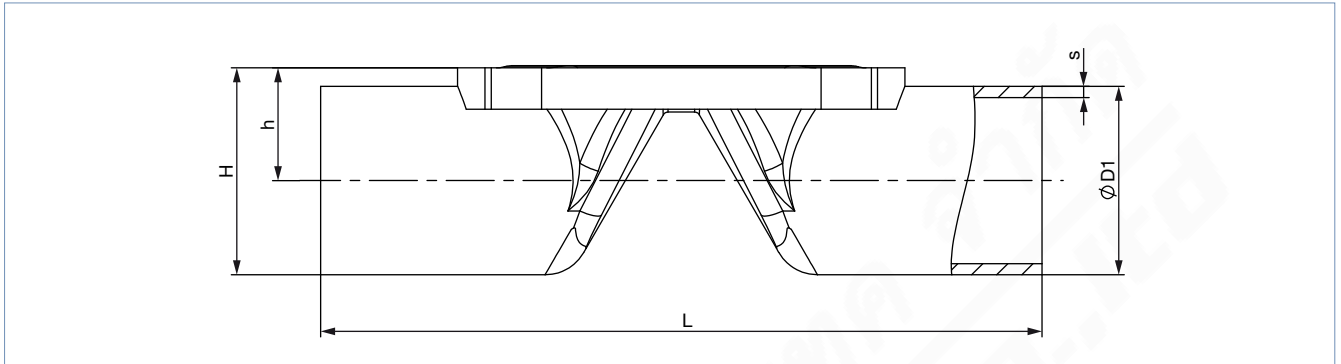
1.) This information is part of the product key (see "8.3. Bürkert Product Enquiry Form" on page 29).

2) Only available as block material

4.4. Tube valve body (VP) with welded connection

Note:

- Dimensions in mm, unless otherwise stated
- Further information on the draining angle can be found in the “Additional manual Type 2xxx 3xxx” on our website (see **operating instructions Type 2031** ▶).



| Diaphragm size  | Port connection DN | ØD1   | s    | L     | h     | H     | Product key <sup>1.)</sup> |
|---|--------------------|-------|------|-------|-------|-------|----------------------------|
| <b>DIN EN ISO 1127 / ISO 4200 / DIN 11866 series B</b>          |                    |       |      |       |       |       |                            |
| 8   | 8                  | 13.5  | 1.6  | 90.0  | 9.85  | 16.6  | SA40                       |
| 8   | 10                 | 17.2  | 1.6  | 90.0  | 11.70 | 20.3  | SA41                       |
| 15  | 15                 | 21.3  | 1.6  | 110.0 | 14.35 | 25.0  | SA42                       |
| 20  | 20                 | 26.9  | 1.6  | 119.0 | 17.15 | 30.45 | SA43                       |
| 25  | 25                 | 33.7  | 2.0  | 129.0 | 20.55 | 37.4  | SA44                       |
| 32  | 32                 | 42.4  | 2.0  | 148.0 | 25.10 | 46.3  | SA45                       |
| 40  | 40                 | 48.3  | 2.0  | 161.0 | 29.35 | 53.5  | SA46                       |
| 50  | 50                 | 60.3  | 2.0  | 192.0 | 35.35 | 65.50 | SA47                       |
| <b>DIN 11850-2 / DIN 11866 series A / DIN EN 10357 series A</b> |                    |       |      |       |       |       |                            |
| 8   | 10                 | 13    | 1.5  | 90    | 9.85  | 16.35 | SD40                       |
| 15  | 15                 | 19    | 1.5  | 110   | 13.20 | 22.70 | SD42                       |
| 15  | 20                 | 23    | 1.5  | 119   | 15.20 | 26.70 | SD43                       |
| 20  | 25                 | 29    | 1.5  | 129   | 18.20 | 32.70 | SD44                       |
| 25  | 32                 | 35    | 1.5  | 148   | 21.20 | 38.70 | SD45                       |
| 32  | 40                 | 41    | 1.5  | 161   | 24.40 | 44.90 | SD46                       |
| 40  | 50                 | 53    | 1.5  | 192   | 31.70 | 58.20 | SD47                       |
| <b>ASME BPE / DIN 11866 series C</b>                            |                    |       |      |       |       |       |                            |
| 8   | ½"                 | 12.7  | 1.65 | 90.0  | 9.45  | 21.95 | SA92                       |
| 15  | ¾"                 | 19.05 | 1.65 | 117.0 | 13.23 | 25.73 | SA93                       |
| 20  | 1"                 | 25.4  | 1.65 | 127.0 | 16.40 | 41.65 | SODF                       |
| 32  | 1½"                | 38.1  | 1.65 | 159.0 | 22.95 | 48.20 | SODH                       |
| 40  | 2"                 | 50.8  | 1.65 | 190   | 30.60 | 62.60 | SODI                       |
| 50  | 2½"                | 63.5  | 1.65 | 192   | 37.35 | 69.1  | SODJ                       |
| 65  | 3"                 | 76.2  | 1.65 | 250   | 46.3  | 84.4  | SODK                       |
| 80  | 4"                 | 101.6 | 2.11 | 295   | 60    | 110.8 | SODL                       |

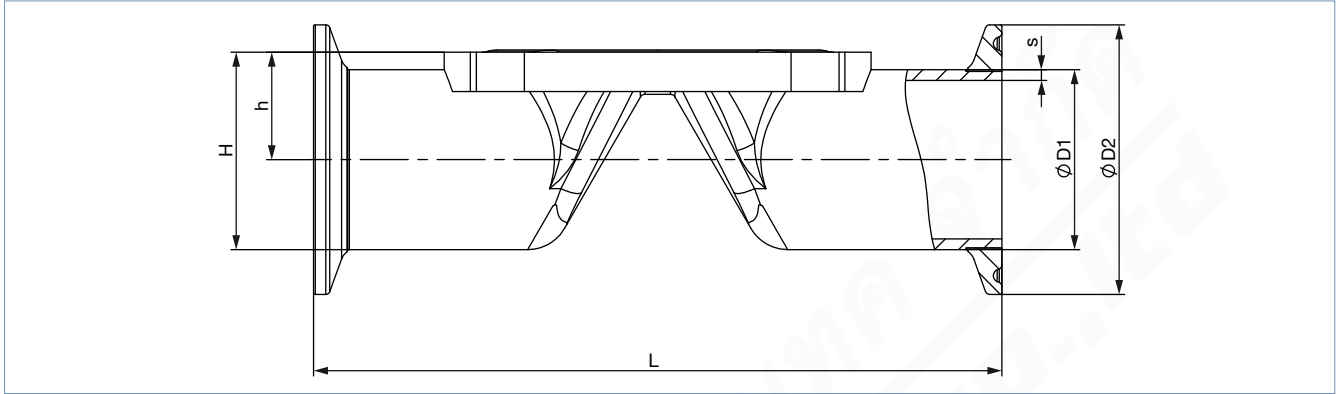
1.) This information is part of the product key (see “8.3. Bürkert Product Enquiry Form” on page 29).

DTS 1000450587 EN Version: J Status: RL (released | freigegeben | validé) printed: 08.05.2024

#### 4.5. Tube valve body (VP) with clamp connection

**Note:**

- Dimensions in mm, unless otherwise stated
- Further information on the draining angle can be found in the “Additional manual Type 2xxx 3xxx” on our website (see **operating instructions Type 2031** ▶).



| Diaphragm size                       | Port connection DN | ØD1   | s    | ØD2  | L   | h     | H     | Product key <sup>1.)</sup> |
|--------------------------------------|--------------------|-------|------|------|-----|-------|-------|----------------------------|
| <b>DIN 32676 series B (ISO pipe)</b> |                    |       |      |      |     |       |       |                            |
| 8                                    | 8                  | 13.5  | 1.6  | 25.0 | 89  | 9.85  | 22.35 | TC40                       |
| 8                                    | 10                 | 17.2  | 1.6  | 25.0 | 89  | 11.70 | 24.20 | TC53                       |
| 15                                   | 15                 | 21.3  | 1.6  | 50.5 | 110 | 14.35 | 39.60 | TC52                       |
| 20                                   | 20                 | 26.9  | 1.6  | 50.5 | 119 | 17.15 | 42.40 | TC43                       |
| 25                                   | 25                 | 33.7  | 2.0  | 50.5 | 129 | 20.55 | 45.80 | TC44                       |
| 32                                   | 32                 | 42.4  | 2.0  | 64.0 | 148 | 25.10 | 57.10 | TC55                       |
| 40                                   | 40                 | 48.3  | 2.0  | 64.0 | 161 | 29.35 | 61.35 | TC46                       |
| 50                                   | 50                 | 60.3  | 2.0  | 77.5 | 192 | 35.35 | 74.10 | TC47                       |
| <b>DIN 32676 series A (DIN pipe)</b> |                    |       |      |      |     |       |       |                            |
| 8                                    | 10                 | 13.0  | 1.5  | 34.0 | 89  | 9.85  | 26.85 | TD41                       |
| 15                                   | 15                 | 19.0  | 1.5  | 34.0 | 110 | 13.2  | 30.20 | TD42                       |
| 15                                   | 20                 | 23.0  | 1.5  | 34.0 | 119 | 15.20 | 32.20 | TD43                       |
| 20                                   | 25                 | 29.0  | 1.5  | 50.5 | 129 | 18.20 | 43.45 | TD44                       |
| 25                                   | 32                 | 35.0  | 1.5  | 50.5 | 148 | 21.20 | 46.45 | TD45                       |
| 32                                   | 40                 | 41.0  | 1.5  | 50.5 | 161 | 24.40 | 49.65 | TD46                       |
| 40                                   | 50                 | 53.0  | 1.5  | 64.0 | 192 | 31.70 | 63.70 | TD47                       |
| <b>ASME BPE</b>                      |                    |       |      |      |     |       |       |                            |
| 8                                    | ½"                 | 12.7  | 1.65 | 25.0 | 89  | 9.45  | 21.95 | TG02                       |
| 15                                   | ¾"                 | 19.05 | 1.65 | 25.0 | 102 | 13.20 | 25.73 | TG03                       |
| 20                                   | 1"                 | 25.4  | 1.65 | 50.5 | 114 | 16.40 | 41.65 | TG04                       |
| 32                                   | 1½"                | 38.10 | 1.65 | 50.5 | 140 | 22.95 | 48.20 | TG05                       |
| 40                                   | 2"                 | 50.80 | 1.65 | 64.0 | 159 | 30.60 | 62.60 | TG06                       |
| 50                                   | 2½"                | 63.5  | 1.65 | 77.5 | 190 | 37.35 | 69.1  | TG07                       |

1.) This information is part of the product key (see “8.3. Bürkert Product Enquiry Form” on page 29).

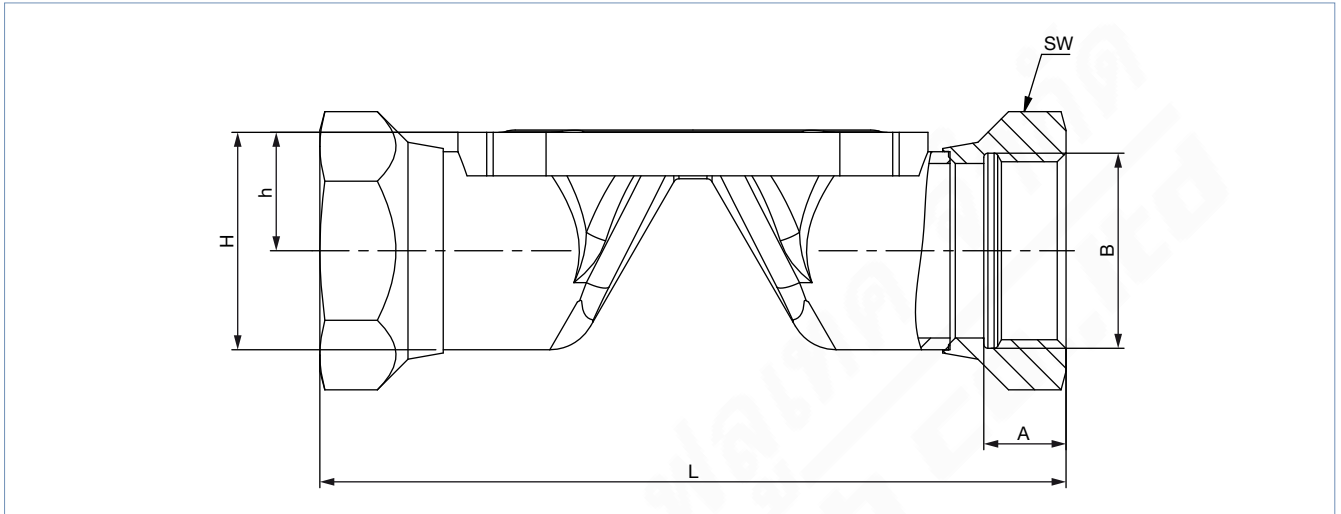
DTS 1000450587 EN Version: J Status: RL (released | freigegeben | validé) printed: 08.05.2024



#### 4.6. Tube valve body (VP) with threaded connection

**Note:**

- Dimensions in mm, unless otherwise stated
- Further information on the draining angle can be found in the “Additional manual Type 2xxx 3xxx” on our website (see **operating instructions Type 2031** ▶).



| Diaphragm size | L   | A    | B      | h     | H     | Spanner width of threaded ports | Product key <sup>1.)</sup> |
|----------------|-----|------|--------|-------|-------|---------------------------------|----------------------------|
| 08             | 85  | 9    | G ¼    | 11.70 | 20.3  | 17                              | GM82                       |
| 15             | 102 | 14   | G ½    | 14.35 | 25.0  | 27                              | GM84                       |
| 20             | 118 | 12   | G ¾    | 17.15 | 30.45 | 32                              | GM85                       |
| 25             | 127 | 14   | G 1    | 20.55 | 37.4  | 41                              | GM86                       |
| 32             | 146 | 16   | G 1¼   | 25.10 | 46.3  | 50                              | GM87                       |
| 40             | 159 | 18   | G 1½   | 29.35 | 53.5  | 60                              | GM88                       |
| 50             | 191 | 20   | G 2    | 35.35 | 65.50 | 70                              | GM89                       |
| Diaphragm size | L   | A    | B      | h     | H     | Spanner width of threaded ports | Product key <sup>1.)</sup> |
| 08             | 85  | 9.7  | Rc ¼   | 11.70 | 20.3  | 17                              | RC82                       |
| 15             | 102 | 13.2 | Rc ½   | 14.35 | 25.0  | 27                              | RC84                       |
| 20             | 118 | 14.5 | Rc ¾   | 17.15 | 30.45 | 32                              | RC85                       |
| 25             | 127 | 16.8 | Rc 1   | 20.55 | 37.4  | 41                              | RC86                       |
| 32             | 146 | 19.1 | Rc 1¼  | 25.10 | 46.3  | 50                              | RC87                       |
| 40             | 159 | 19.1 | Rc 1½  | 29.35 | 53.5  | 60                              | RC88                       |
| 50             | 191 | 23.4 | Rc 2   | 35.35 | 65.50 | 70                              | RC89                       |
| Diaphragm size | L   | A    | B      | h     | H     | Spanner width of threaded ports | Product key <sup>1.)</sup> |
| 08             | 85  | 10   | NPT ¼  | 11.70 | 20.3  | 17                              | NM82                       |
| 15             | 102 | 13.7 | NPT ½  | 14.35 | 25.0  | 27                              | NM84                       |
| 20             | 118 | 14   | NPT ¾  | 17.15 | 30.45 | 32                              | NM85                       |
| 25             | 127 | 16.8 | NPT 1  | 20.55 | 37.4  | 41                              | NM86                       |
| 32             | 146 | 17.3 | NPT 1¼ | 25.10 | 46.3  | 50                              | NM87                       |
| 40             | 159 | 17.3 | NPT 1½ | 29.35 | 53.5  | 60                              | NM88                       |
| 50             | 191 | 17.6 | NPT 2  | 35.35 | 65.50 | 70                              | NM89                       |

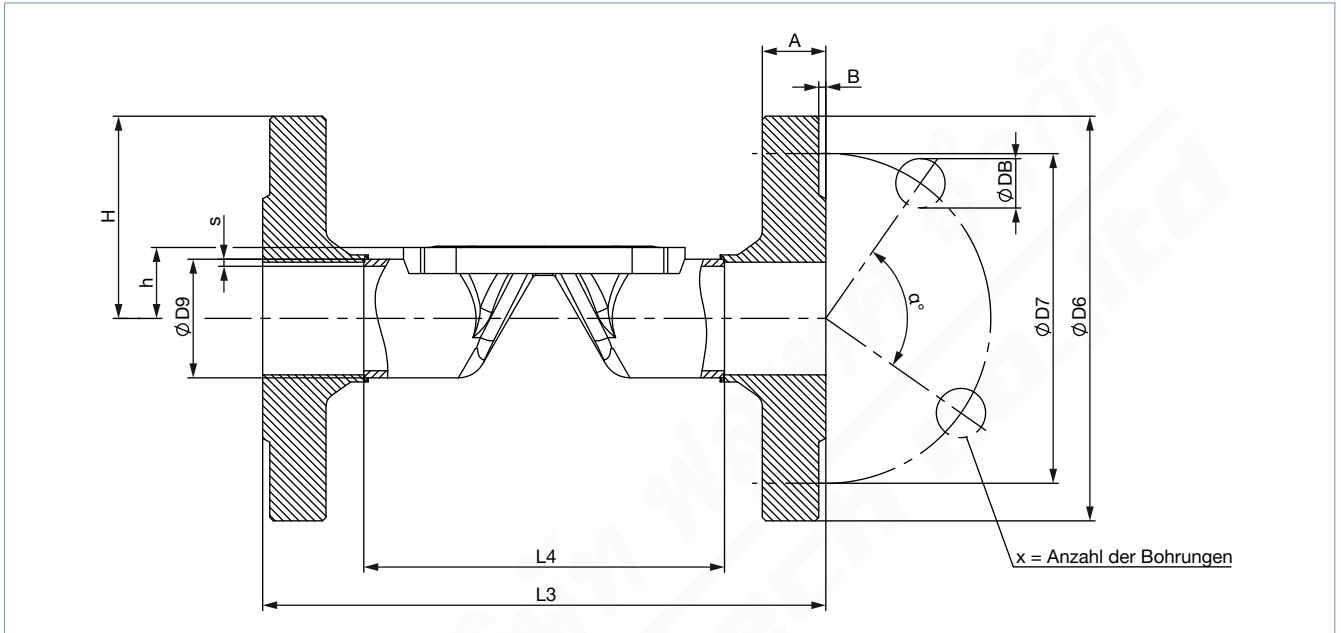
1.) This information is part of the product key (see “8.3. Bürkert Product Enquiry Form” on page 29).

DTS 1000450587 EN Version: J Status: RL (released | freigegeben | validé) printed: 08.05.2024

4.7. Tube valve body (VP) with flange connection

Note:

- Dimensions in mm, unless otherwise stated
- Further information on the draining angle can be found in the “Additional manual Type 2xxx 3xxx” on our website (see **operating instructions Type 2031** ▶).



| Diaphragm size       | L4    | L3  | s3  | ØD9  | ØD6   | ØD7   | a° | ØDB  | A    | B   | X | Product key <sup>1.)</sup> |
|----------------------|-------|-----|-----|------|-------|-------|----|------|------|-----|---|----------------------------|
| <b>DIN EN 1092-1</b> |       |     |     |      |       |       |    |      |      |     |   |                            |
| 15                   | 76.5  | 130 | 1.6 | 21.3 | 76.5  | 65.0  | 90 | 14   | 16   | 2   | 4 | FD22                       |
| 20                   | 92.5  | 150 | 1.6 | 26.9 | 92.5  | 75.0  | 90 | 14   | 18   | 2   | 4 | FD23                       |
| 25                   | 102.5 | 160 | 2.0 | 33.7 | 102.5 | 85.0  | 90 | 14   | 18   | 2   | 4 | FD24                       |
| 32                   | 122.5 | 180 | 2.0 | 42.4 | 122.5 | 100.0 | 90 | 18   | 18   | 2   | 4 | FD25                       |
| 40                   | 136.5 | 200 | 2.0 | 48.3 | 136.5 | 110.0 | 90 | 18   | 18   | 3   | 4 | FD26                       |
| 50                   | 160.5 | 230 | 2.0 | 60.3 | 160.5 | 125.0 | 90 | 18   | 20   | 3   | 4 | FD27                       |
| <b>ANSI B16.5</b>    |       |     |     |      |       |       |    |      |      |     |   |                            |
| 15                   | 67.0  | 130 | 1.6 | 21.3 | 89    | 60.5  | 90 | 15.7 | 11.2 | 1.6 | 4 | FA02                       |
| 25                   | 106.0 | 160 | 2.0 | 33.7 | 108   | 79.2  | 90 | 15.7 | 14.2 | 1.6 | 4 | FA04                       |
| 40                   | 128.0 | 200 | 2.0 | 48.3 | 127   | 98.6  | 90 | 15.7 | 17.5 | 1.6 | 4 | FA06                       |
| 50                   | 151.0 | 230 | 2.0 | 60.3 | 152   | 120.7 | 90 | 19.1 | 19.1 | 1.6 | 4 | FA07                       |
| <b>JIS 10K</b>       |       |     |     |      |       |       |    |      |      |     |   |                            |
| 15                   | 89    | 130 | 1.6 | 21.3 | 95    | 70    | 90 | 15   | 12   | 1   | 4 | FJ01                       |
| 20                   | 103   | 150 | 1.6 | 26.9 | 100   | 75    | 90 | 15   | 14   | 1   | 4 | FJ02                       |
| 25                   | 116   | 160 | 2.0 | 33.7 | 125   | 90    | 90 | 19   | 14   | 1   | 4 | FJ03                       |
| 40                   | 147   | 200 | 2.0 | 48.3 | 140   | 105   | 90 | 19   | 16   | 2   | 4 | FJ05                       |
| 50                   | 175   | 230 | 2.0 | 60.3 | 155   | 120   | 90 | 19   | 16   | 2   | 4 | FJ06                       |

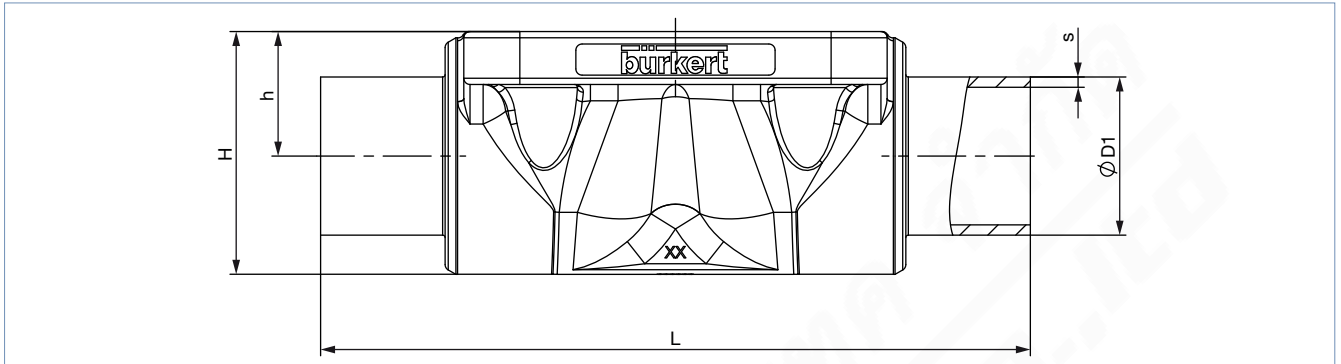
1.) This information is part of the product key (see “8.3. Bürkert Product Enquiry Form” on page 29).

DTS 1000450587 EN Version: J Status: RL (released | freigegeben | valide) printed: 08.05.2024

4.8. Cast valve body (VG) with welded connection

Note:

- Dimensions in mm, unless otherwise stated
- Further information on the draining angle can be found in the “Additional manual Type 2xxx 3xxx” on our website (see **operating instructions Type 2031** ▶).



| Diaphragm size  | Port connection DN | ØD1   | s    | L    | h    | H     | Product key <sup>1)</sup> |
|---|--------------------|-------|------|------|------|-------|---------------------------|
| <b>DIN EN ISO 1127 / ISO 4200 / DIN 11866 series B</b>          |                    |       |      |      |      |       |                           |
| 8   | 8                  | 13.5  | 1.6  | 90   | 9.6  | 18.5  | SA40                      |
| 8   | 10                 | 17.2  | 1.6  | 90   | 9.6  | 18.6  | SA41                      |
| 15  | 15                 | 21.3  | 1.6  | 110  | 13.5 | 25.0  | SA42                      |
| 20  | 15                 | 21.3  | 1.6  | 119  | 18.0 | 32.9  | SA42                      |
| 20  | 20                 | 26.9  | 1.6  | 119  | 18.0 | 32.7  | SA43                      |
| 25  | 25                 | 33.7  | 2.0  | 129  | 20.0 | 39.0  | SA44                      |
| 40  | 32                 | 42.4  | 2.0  | 161  | 28.6 | 55.0  | SA45                      |
| 40  | 40                 | 48.3  | 2.0  | 161  | 28.6 | 55.0  | SA46                      |
| 50  | 50                 | 60.3  | 2.0  | 192  | 35.5 | 68.0  | SA47                      |
| 65  | 65                 | 76.1  | 2.0  | 192  | 43.0 | 82.0  | SA48                      |
| 80  | 80                 | 76.1  | 2.0  | 250  | 51.0 | 101.0 | SA48                      |
| 80  | 80                 | 88.9  | 2.3  | 250  | 51.0 | 101.0 | SA49                      |
| 100   | 100                | 114.3 | 2.3  | 295  | 63.5 | 123.5 | SA39                      |
| <b>DIN 11850-2 / DIN 11866 series A / DIN EN 10357 series A</b> |                    |       |      |      |      |       |                           |
| 8   | 10                 | 13    | 1.5  | 90   | 9.6  | 18.6  | SD40                      |
| 15  | 15                 | 19    | 1.5  | 110  | 13.5 | 25.0  | SD42                      |
| 20  | 20                 | 23    | 1.5  | 119  | 18.0 | 32.8  | SD43                      |
| 25  | 25                 | 29    | 1.5  | 129  | 20.0 | 39.0  | SD44                      |
| 40  | 40                 | 41    | 1.5  | 161  | 28.6 | 55.0  | SD46                      |
| 50  | 50                 | 53    | 1.5  | 192  | 35.5 | 68.0  | SD47                      |
| 65  | 65                 | 70    | 2.0  | 192  | 43.0 | 82.0  | SD48                      |
| 80  | 80                 | 85    | 2.0  | 250  | 51.0 | 101.0 | SD49                      |
| 100   | 100                | 104   | 2.0  | 295  | 63.5 | 123.5 | SD50                      |
| <b>ASME BPE / DIN 11866 series C</b>                            |                    |       |      |      |      |       |                           |
| 8   | ¼"                 | 6.35  | 0.89 | 64.5 | 9.6  | 18.6  | SA90                      |
| 8   | ⅜"                 | 9.53  | 0.89 | 89   | 9.6  | 18.6  | SA91                      |
| 8   | ½"                 | 12.7  | 1.65 | 89   | 9.6  | 18.6  | SA92                      |
| 15  | ¾"                 | 19.05 | 1.65 | 102  | 13.5 | 25.0  | SA93                      |
| 20  | ¾"                 | 19.05 | 1.65 | 119  | 18.0 | 32.8  | SA93                      |
| 20  | 1"                 | 25.4  | 1.65 | 119  | 18.0 | 32.7  | SODF                      |
| 25  | 1"                 | 25.4  | 1.65 | 114  | 20.0 | 39.0  | SODF                      |
| 40  | 1½"                | 38.1  | 1.65 | 140  | 28.6 | 55.0  | SODH                      |
| 50  | 2"                 | 50.8  | 1.65 | 159  | 35.5 | 68.0  | SODI                      |
| 50  | 2½"                | 63.5  | 1.65 | 192  | 35.5 | 68.0  | SODJ                      |
| 65  | 2½"                | 63.5  | 1.65 | 192  | 43.0 | 82.0  | SODJ                      |
| 80  | 3"                 | 76.2  | 1.65 | 250  | 51.0 | 101.0 | SODK                      |
| 100   | 4"                 | 101.6 | 2.11 | 295  | 63.5 | 123.5 | SODL                      |

DTS 1000450587 EN Version: J Status: RL (released | freigegeben | validé) printed: 08.05.2024

| Diaphragm size            | Port connection DN | ØD1   | s    | L    | h    | H     | Product key <sup>1.)</sup> |
|---------------------------|--------------------|-------|------|------|------|-------|----------------------------|
| <b>BS 4825</b>            |                    |       |      |      |      |       |                            |
| 8                         | 8                  | 6.35  | 1.20 | 64.5 | 9.6  | 18.6  | SODB                       |
| 8                         | 10                 | 9.53  | 1.20 | 89   | 9.6  | 18.6  | SODC                       |
| 8                         | 15                 | 12.7  | 1.20 | 89   | 9.6  | 18.6  | SODD                       |
| 15                        | 20                 | 19.05 | 1.20 | 102  | 14.0 | 25.5  | SODE                       |
| 20                        | 25                 | 25.4  | 1.65 | 119  | 18.0 | 32.8  | SODF                       |
| 25                        | 25                 | 25.4  | 1.65 | 114  | 20.0 | 39.0  | SODF                       |
| 40                        | 40                 | 38.1  | 1.65 | 140  | 28.6 | 55.0  | SODH                       |
| 50                        | 50                 | 50.8  | 1.65 | 159  | 35.5 | 68.0  | SODI                       |
| 50                        | 65                 | 63.5  | 1.65 | 192  | 35.5 | 68.0  | SODJ                       |
| 65                        | 65                 | 63.5  | 1.65 | 192  | 43.0 | 82.0  | SODJ                       |
| 80                        | 80                 | 76.2  | 1.65 | 250  | 51.0 | 101.0 | SODK                       |
| 100                       | 100                | 101.6 | 2.11 | 295  | 63.5 | 123.5 | SODL                       |
| <b>SMS 3008</b>           |                    |       |      |      |      |       |                            |
| 20                        | 25                 | 25    | 1.2  | 119  | 18.0 | 32.8  | SA60                       |
| 25                        | 25                 | 25    | 1.2  | 129  | 20.0 | 39.0  | SA60                       |
| 40                        | 40                 | 38    | 1.2  | 161  | 28.6 | 55.0  | SA62                       |
| 50                        | 50                 | 51    | 1.2  | 192  | 35.5 | 68.0  | SA63                       |
| <b>DIN 11850 series 0</b> |                    |       |      |      |      |       |                            |
| 8                         | 4                  | 6     | 1.0  | 90   | 9.6  | 18.6  | SC40                       |
| 8                         | 6                  | 8     | 1.0  | 90   | 9.6  | 18.6  | SC41                       |
| 8                         | 8                  | 10    | 1.0  | 90   | 9.6  | 18.6  | SC42                       |
| 15                        | 15                 | 18    | 1.5  | 110  | 13.5 | 25.0  | SC43                       |
| 20                        | 20                 | 22    | 1.5  | 119  | 18.0 | 32.8  | SC44                       |
| 25                        | 25                 | 28    | 1.5  | 129  | 20.0 | 39.0  | SC45                       |
| 25                        | 32                 | 34    | 1.5  | 129  | 20.0 | 39.0  | SC46                       |
| 40                        | 40                 | 40    | 1.5  | 161  | 28.6 | 56.0  | SC47                       |
| 50                        | 50                 | 52    | 1.5  | 192  | 35.5 | 68.0  | SC48                       |

1.) This information is part of the product key (see "8.3. Bürkert Product Enquiry Form" on page 29).

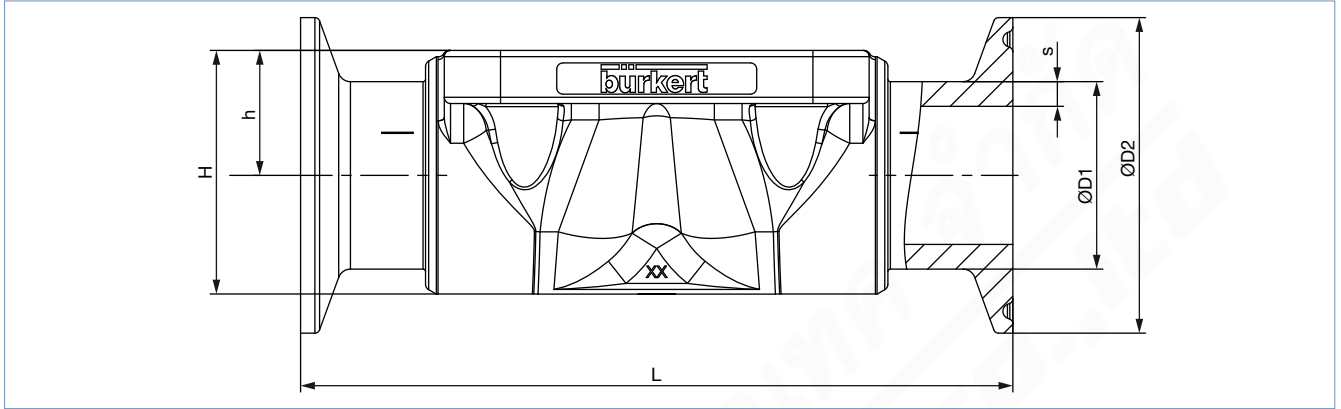
DTS 1000450587 EN Version: J Status: RL (released | freigegeben | valide) printed: 08.05.2024



4.9. Cast valve body (VG) with clamp connection

Note:

- Dimensions in mm, unless otherwise stated
- Further information on the draining angle can be found in the “Additional manual Type 2xxx 3xxx” on our website (see **operating instructions Type 2031** ▶).



| Diaphragm size   | Port connection DN | ØD1   | s    | ØD2  | L     | h    | H     | Product key <sup>1.)</sup> |
|--|--------------------|-------|------|------|-------|------|-------|----------------------------|
| <b>DIN 32676 series B (ISO pipe)</b>                       |                    |       |      |      |       |      |       |                            |
| 25   | 25                 | 33.7  | 2    | 50.5 | 129   | 20.0 | 39.0  | TC44                       |
| 40   | 40                 | 48.3  | 2    | 64.0 | 161   | 28.6 | 55.0  | TC46                       |
| 50   | 50                 | 60.3  | 2    | 77.5 | 192   | 35.5 | 68.0  | TC47                       |
| <b>DIN 32676 series A (DIN pipe)</b>                       |                    |       |      |      |       |      |       |                            |
| 15   | 15                 | 19    | 1.5  | 34.0 | 110   | 13.5 | 25.0  | TD42                       |
| 20   | 20                 | 23    | 1.5  | 34.0 | 119   | 18.0 | 32.8  | TD43                       |
| 25   | 25                 | 29    | 1.5  | 50.5 | 129   | 20.0 | 39.0  | TD44                       |
| 40   | 40                 | 41    | 1.5  | 50.5 | 161   | 28.6 | 55.0  | TD46                       |
| 50   | 50                 | 53    | 1.65 | 64.0 | 192   | 35.5 | 68.0  | TD47                       |
| <b>ASME BPE</b>  |                    |       |      |      |       |      |       |                            |
| 8  | 3/8"               | 9.53  | 0.89 | 25.0 | 89    | 9.6  | 18.6  | TG01                       |
| 8  | 1/2"               | 12.7  | 1.65 | 25.0 | 89    | 9.6  | 18.6  | TG02                       |
| 15   | 3/4"               | 19.05 | 1.65 | 25.0 | 102   | 13.5 | 23.0  | TG03                       |
| 20   | 3/4"               | 19.05 | 1.65 | 25.0 | 117   | 18.0 | 25.0  | TG03                       |
| 25   | 1"                 | 25.4  | 1.65 | 50.5 | 114   | 18.0 | 40.0  | TG04                       |
| 40   | 1 1/2"             | 38.1  | 1.65 | 50.5 | 140   | 28.6 | 55.0  | TG05                       |
| 50   | 2"                 | 50.8  | 1.65 | 64.0 | 159   | 35.5 | 68.0  | TG06                       |
| 50   | 2 1/2"             | 63.5  | 1.65 | 77.5 | 190   | 35.5 | 68.0  | TG07                       |
| 65   | 2 1/2"             | 63.5  | 1.65 | 77.5 | 249.2 | 43.0 | 82.0  | TG07                       |
| 80   | 3"                 | 76.2  | 1.65 | 91   | 306.2 | 51.0 | 101.0 | TG08                       |
| 100  | 4"                 | 101.6 | 2.11 | 119  | 352.2 | 63.5 | 123.5 | TG09                       |
| <b>BS 4825: Clamp BS 4825-3 / pipe BS 4825-1</b>           |                    |       |      |      |       |      |       |                            |
| 8  | 15                 | 12.7  | 1.2  | 25   | 89    | 9.6  | 18.9  | TH42                       |
| 15   | 20                 | 19.05 | 1.2  | 25   | 102   | 13.5 | 25.0  | TH43                       |
| 25   | 25                 | 25.4  | 1.65 | 50.5 | 114   | 20.0 | 39.0  | TG04                       |
| 40   | 40                 | 38.1  | 1.65 | 50.5 | 140   | 28.6 | 55.0  | TG05                       |
| 50   | 50                 | 50.8  | 1.65 | 64.0 | 159   | 35.5 | 68.0  | TG06                       |
| 50   | 65                 | 63.5  | 1.65 | 77.5 | 190   | 35.5 | 68.0  | TG07                       |
| <b>Clamp 34.0 similar to DIN 32676 series B (ISO pipe)</b> |                    |       |      |      |       |      |       |                            |
| 15   | 15                 | 21.3  | 1.6  | 34   | 110   | 13.5 | 25.0  | TC42                       |

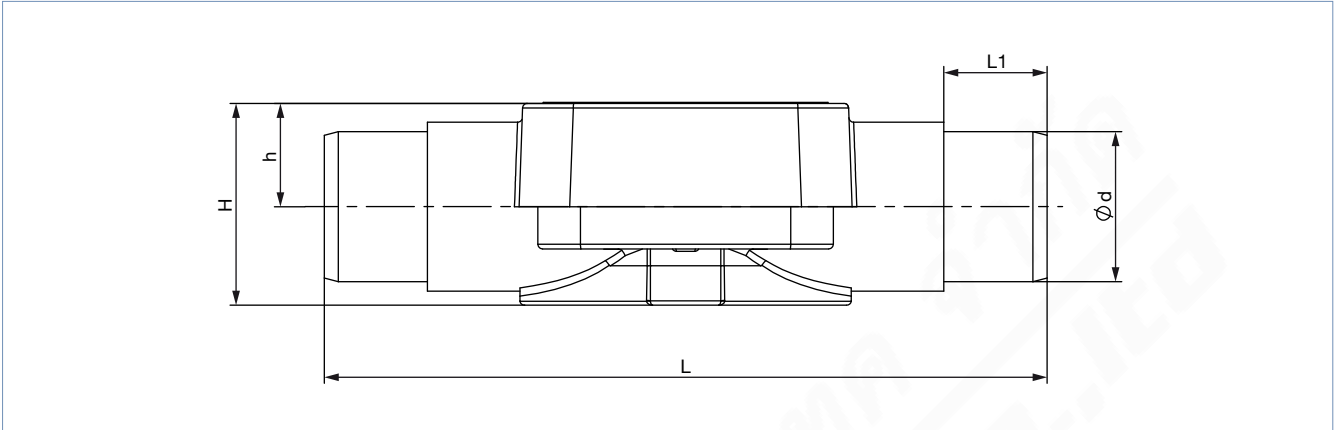
1.) This information is part of the product key (see “8.3. Bürkert Product Enquiry Form” on page 29).

DTS 1000450587 EN Version: J Status: RL (released | freigegeben | valide) printed: 08.05.2024

4.10. Plastic body (PV, PD, PP) with spigot connection

Note:

Dimensions in mm, unless otherwise stated



| Diaphragm size               | Ø d | Wall thickness | h    | H    | L   | L1 | Product key <sup>1.)</sup> |
|------------------------------|-----|----------------|------|------|-----|----|----------------------------|
| <b>PVC-U (PV)</b>            |     |                |      |      |     |    |                            |
| 15                           | 20  | 2.5            | 15   | 29   | 124 | 16 | KS25                       |
| 20                           | 25  | 2.5            | 18.5 | 36   | 144 | 19 | KS26                       |
| 25                           | 32  | 3.5            | 22   | 43   | 154 | 22 | KS27                       |
| 32                           | 40  | 4              | 27   | 52.5 | 174 | 26 | KS28                       |
| 40                           | 50  | 5              | 33   | 65.5 | 194 | 31 | KS29                       |
| 50                           | 63  | 6.5            | 40   | 79   | 224 | 44 | KS30                       |
| <b>PVDF (PD) and PP (PP)</b> |     |                |      |      |     |    |                            |
| 15                           | 20  | 2.5            | 15   | 29   | 124 | 16 | SS25                       |
| 20                           | 25  | 2.5            | 18.5 | 36   | 144 | 19 | SS26                       |
| 25                           | 32  | 3.5            | 22   | 43   | 154 | 22 | SS27                       |
| 32                           | 40  | 4              | 27   | 52.5 | 174 | 26 | SS28                       |
| 40                           | 50  | 5              | 33   | 65.5 | 194 | 31 | SS29                       |
| 50                           | 63  | 6.5            | 40   | 79   | 224 | 44 | SS30                       |

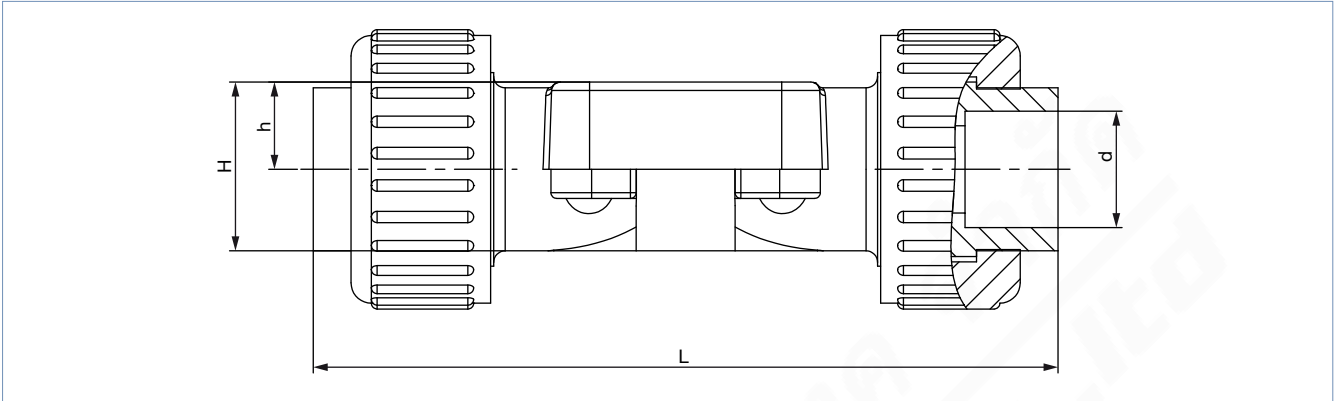
1.) This information is part of the product key (see "8.3. Bürkert Product Enquiry Form" on page 29).

DTS 1000450587 EN Version: J Status: RL (released | freigegeben | valide) printed: 08.05.2024

4.11. Plastic body (PV, PD, PP) with true union

Note:

Dimensions in mm, unless otherwise stated



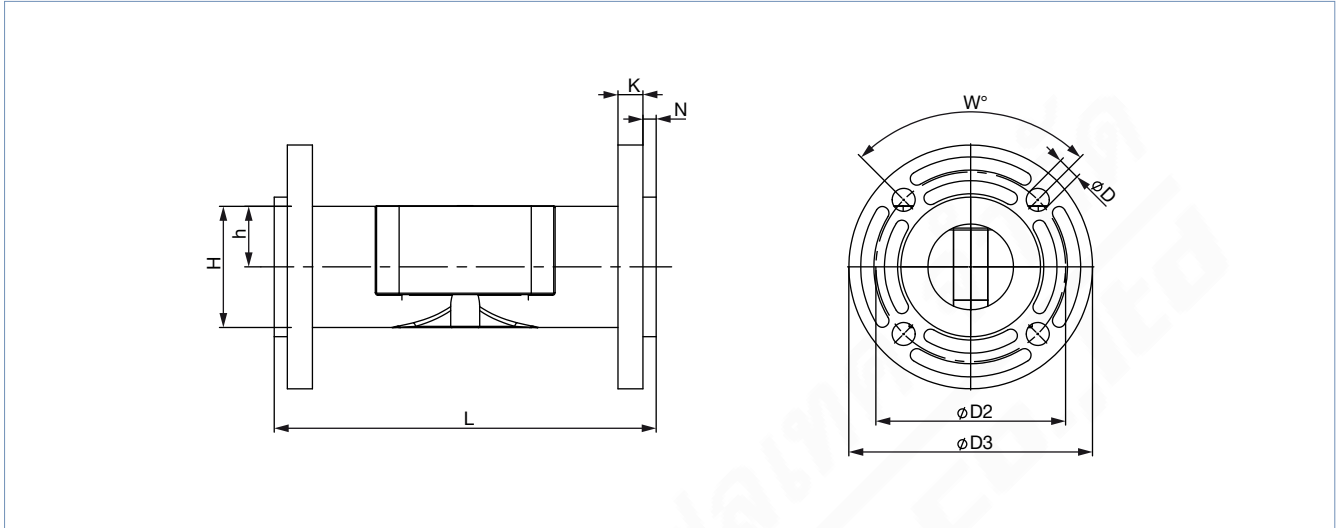
| Diaphragm size    | L   | h    | H    | Ød | Product key <sup>1.)</sup> |
|-------------------|-----|------|------|----|----------------------------|
| <b>PVC-U (PV)</b> |     |      |      |    |                            |
| 15                | 128 | 15   | 29   | 20 | KM25                       |
| 20                | 152 | 18.5 | 36   | 25 | KM26                       |
| 25                | 166 | 22   | 43   | 32 | KM27                       |
| 32                | 192 | 27   | 52.5 | 40 | KM28                       |
| 40                | 222 | 33   | 65.5 | 50 | KM29                       |
| 50                | 266 | 40   | 79   | 63 | KM30                       |
| <b>PVDF (PD)</b>  |     |      |      |    |                            |
| 15                | 129 | 15   | 29   | 20 | SM25                       |
| 20                | 150 | 18.5 | 36   | 25 | SM26                       |
| 25                | 162 | 22   | 43   | 32 | SM27                       |
| 32                | 184 | 27   | 52.5 | 40 | SM28                       |
| 40                | 210 | 33   | 65.5 | 50 | SM29                       |
| 50                | 248 | 40   | 79   | 63 | SM30                       |
| <b>PP (PP)</b>    |     |      |      |    |                            |
| 15                | 125 | 15   | 29   | 20 | SM25                       |
| 20                | 146 | 18.5 | 36   | 25 | SM26                       |
| 25                | 158 | 22   | 43   | 32 | SM27                       |
| 32                | 181 | 27   | 52.5 | 40 | SM28                       |
| 40                | 207 | 33   | 65.5 | 50 | SM29                       |
| 50                | 245 | 40   | 79   | 63 | SM30                       |

1.) This information is part of the product key (see "8.3. Bürkert Product Enquiry Form" on page 29).

4.12. Plastic body (PV, PD, PP) with flange connection

Note:

Dimensions in mm, unless otherwise stated



| Diaphragm size                           | L   | ØD2  | ØD3 | K  | H     | h    | ØD | W     | N   | Product key <sup>1.)</sup> |
|--|-----|------|-----|----|-------|------|----|-------|-----|----------------------------|
| <b>PVC-U (PV), PVDF (PD) and PP (PP)</b> |     |      |     |    |       |      |    |       |     |                            |
| 15                                       | 130 | 65.5 | 96  | 12 | -     | -    | 14 | 4x90° | 5.9 | FL24                       |
| 20                                       | 150 | 75   | 105 | 14 | -     | -    | 14 | 4x90° | 6.9 | FL25                       |
| 25                                       | 160 | 85   | 115 | 15 | -     | -    | 14 | 4x90° | 6.9 | FL26                       |
| 32                                       | 180 | 100  | 140 | 17 | -     | -    | 18 | 4x90° | 7.9 | FL27                       |
| 40                                       | 200 | 110  | 150 | 17 | -     | -    | 18 | 4x90° | 8   | FL28                       |
| 50                                       | 230 | 125  | 165 | 18 | -     | -    | 18 | 4x90° | 9   | FL29                       |
| 65                                       | 290 | 145  | 185 | 19 | 92    | 47   | 18 | 4x90° | 10  | FL30                       |
| 80                                       | 310 | 160  | 200 | 36 | 107   | 50   | 18 | 8x45° | -   | FF31                       |
| 100                                      | 350 | 180  | 225 | 35 | 134.5 | 65.5 | 18 | 8x45° | -   | FF32                       |

1.) This information is part of the product key (see "8.3. Bürkert Product Enquiry Form" on page 29).

DTS 1000450587 EN Version: J Status: RL (released | freigegeben | valide) printed: 08.05.2024



## 5. Performance specifications

### 5.1. Flow characteristics

**Note:**

- The  $K_v$  values may vary slightly with different actuator sizes and diaphragm materials.
- More  $K_v$  values are available on request.
- Flow rate:  $K_v$  value water (m<sup>3</sup>/h) for elastomer diaphragm
- Measurement at +20 °C, 4 bar at valve inlet and 3 bar at valve outlet

#### Forged steel valve body (VS)

| Diaphragm size | Port connection |        | $K_v$ value [m <sup>3</sup> /h]                   |  |                                   |                       |                     |                     |
|----------------|-----------------|--------|---|--|-----------------------------------|-----------------------|---------------------|---------------------|
|                |                 |        | DIN EN ISO 1127<br>ISO 4200<br>DIN 11866 series B | DIN 11850-2<br>DIN 11866 series A<br>DIN EN 10357 series A | ASME BPE<br>DIN 11866<br>series C | DIN 11850<br>series 0 | BS4825              | SMS3008             |
| DN             | [mm]            | [inch] | [m <sup>3</sup> /h]                               | [m <sup>3</sup> /h]  | [m <sup>3</sup> /h]               | [m <sup>3</sup> /h]   | [m <sup>3</sup> /h] | [m <sup>3</sup> /h] |
| 8              | 6               | ¼"     | –   | –  | –                                 | 1.1                   | –                   | –                   |
| 8              | 8               | ¼"     | 1.5   | –  | 0.7                               | 1.7                   | 0.5                 | –                   |
| 8              | 10              | ⅜"     | 1.5   | 1.5  | 1.6                               | –                     | 1.4                 | –                   |
| 8              | 15              | ½"     | –   | –  | 1.5                               | –                     | –                   | –                   |
| 15             | 10              | ⅜"     | 5.5   | 3.5  | –                                 | –                     | –                   | –                   |
| 15             | 15              | ½"     | 6.5   | 6.5  | 3.1                               | –                     | 3.7                 | –                   |
| 15             | 20              | ¾"     | –   | –  | 6.5                               | –                     | –                   | –                   |
| 20             | 20              | ¾"     | 12.5  | 12.4   | 8.4                               | –                     | 8.9                 | –                   |
| 25             | 25              | 1"     | 18  | 20   | 15.5                              | –                     | 15.5                | 16                  |
| 40             | 32              | 1¼"    | –   | 34   | –                                 | –                     | –                   | –                   |
| 40             | 40              | 1½"    | 41  | 40   | 37                                | –                     | 37                  | 38                  |
| 50             | 50              | 2"     | 66  | 66   | 66                                | –                     | 66                  | 66                  |
| 50             | 65              | 2½"    | –   | –  | 66                                | –                     | 66                  | 66                  |
| 65             | 65              | 2½"    | 110   | –  | 110                               | –                     | –                   | –                   |
| 80             | 80              | 3"     | 160   | 160  | 160                               | –                     | –                   | –                   |
| 100            | 100             | 4"     | 235   | 235  | 235                               | –                     | –                   | –                   |

#### Tube valve body (VP)

| Diaphragm size | Port connection |        | $K_v$ value [m <sup>3</sup> /h]                   |  |                                |
|----------------|-----------------|--------|---|--|--------------------------------|
|                |                 |        | DIN EN ISO 1127<br>ISO 4200<br>DIN 11866 series B | DIN 11850-2<br>DIN 11866 series A<br>DIN EN 10357 series A | ASME BPE<br>DIN 11866 series C |
| DN             | [mm]            | [inch] | [m <sup>3</sup> /h]                               | [m <sup>3</sup> /h]  | [m <sup>3</sup> /h]            |
| 8              | 8               | ¼"     | 1.9   | –  | –                              |
| 8              | 10              | ⅜"     | –   | 1.9  | –                              |
| 8              | 15              | ½"     | –   | –  | 1.8                            |
| 15             | 10              | ⅜"     | –   | –  | 7.1                            |
| 15             | 15              | ½"     | 7.2   | 7.4  | –                              |
| 15             | 20              | ¾"     | –   | 7.4  | –                              |
| 20             | 20              | ¾"     | 13.5  | –  | –                              |
| 20             | 25              | 1"     | –   | 14.9   | 12.8                           |
| 25             | 32              | 1¼"    | –   | 22.3   | –                              |
| 25             | 25              | 1"     | 20.8  | –  | –                              |
| 32             | 40              | 1½"    | –   | 34.8   | 31                             |
| 40             | 40              | 1½"    | 47.9  | –  | –                              |
| 40             | 50              | 2"     | –   | 46.2   | 43                             |
| 50             | 50              | 2"     | 69.7  | –  | –                              |
| 65             | 80              | 3"     | –   | –  | 75                             |
| 80             | 100             | 4"     | –   | –  | 145                            |

DTS 1000450587 EN Version: J Status: RL (released | freigegeben | validé) printed: 08.05.2024

**Cast valve body (VG)**

| Diaphragm size<br>DN | Port connection |        | K <sub>v</sub> value<br>[m <sup>3</sup> /h] |
|----------------------|-----------------|--------|---|
|                      | [mm]            | [inch] |   |
| 8                    | 8               | ¼"     | 1   |
| 15                   | 15              | ½"     | 5.6   |
| 20                   | 20              | ¾"     | 10.7  |
| 25                   | 25              | 1"     | 14.6  |
| 40                   | 40              | 1½"    | 35  |
| 50                   | 50              | 2"     | 47  |
| 65                   | 65              | 2½"    | 110   |
| 80                   | 80              | 3"     | 130   |
| 100                  | 100             | 4"     | 150   |

**Plastic body (PV, PD, PP)**

| Diaphragm size<br>DN | Port connection |        | K <sub>v</sub> value<br>[m <sup>3</sup> /h] |
|----------------------|-----------------|--------|---|
|                      | [mm]            | [inch] |   |
| 15                   | 15              | ½"     | 3   |
| 20                   | 20              | ¾"     | 7   |
| 25                   | 25              | 1"     | 11.4  |
| 32                   | 32              | 1¼"    | 17  |
| 40                   | 40              | 1½"    | 24.5  |
| 50                   | 50              | 2"     | 41.5  |
| 65                   | 65              | 2½"    | 60  |
| 80                   | 80              | 3"     | 105   |
| 100                  | 100             | 4"     | 154   |

**5.2. Medium pressure**

**Information for control function A**

**Note:**

- For low operating pressures, optional variants with reduced spring force (EC04) are recommended.
- Pressure data [bar]: overpressure to atmospheric pressure. The valve closes dynamically against maximum operating pressure.
- Information for control function B and I is available on request.

| Diaphragm size<br>DN | Actuator size Ø<br>[mm] | Pilot pressure<br>[bar] | Maximum operating pressure for seal material |  |
|----------------------|-------------------------|-------------------------|--|--|
|                      |                         |                         | EPDM, FKM<br>[bar]                           | PTFE/EPDM, advanced PTFE/EPDM,<br>laminate of GYLON® and EPDM<br>[bar] |
| 8                    | 40 (C)                  | 5.0...7                 | 10   | 10   |
| 15                   | 50 (D)                  | 5.0...7                 | 8.5  | –  |
|                      | 63 (E)                  | 5.0...7                 | 10   | 10   |
| 20                   | 63 (E)                  | 5.5...7                 | 10   | 5  |
|                      | 80 (F)                  | 5.0...7                 | 10   | 10   |
| 25                   | 80 (F)                  | 5.5...7                 | 10   | 7.5  |
| 32                   | 100 (G)                 | 5.5...7                 | 10   | 8  |
|                      | 125 (H)                 | 5.5...7                 | 10   | 10   |
| 40                   | 100 (G)                 | 5.5...7                 | 6.5  | 6 <sup>1.)</sup>   |
|                      | 125 (H)                 | 5.5...7                 | 10   | 10   |
| 50                   | 125 (H)                 | 5.5...7                 | 8  | 7  |
| 65                   | 175 (K)                 | 5.0...6                 | 8  | 5  |
| 80                   | 175 (K)                 | 5.0...6                 | 5  | 3 <sup>3.)</sup>   |
|                      | 225 (L)                 | 5.0...6                 | 10   | 7 <sup>2.)</sup>   |
| 100                  | 225 (L)                 | 5.0...6                 | 8  | 4  |

1.) The maximum operating pressure to laminate of GYLON® and EPDM is 4 bar.  
 2.) The maximum operating pressure to laminate of GYLON® and EPDM is 8.5 bar.  
 3.) The tightness value only applies to laminate of GYLON® and EPDM (ER diaphragm), otherwise 0 bar for PTFE/EPDM and advanced PTFE/EPDM (EA and EU diaphragm).

DTS 1000450587 EN Version: J Status: RL (released | freigegeben | validé) printed: 08.05.2024

## 6. Product accessories

### Electric position feedback indicator

#### Type 8697 ▶ Actuator size Ø 40...225 mm



The position feedback Type 8697 is designed for integrated mounting on CLASSIC series 20XX process valves, suiting the requirements of hygienic process environments. Mechanical or inductive limit switches register the position of the valve.

#### Features

- Compact design
- LED position indicator
- Mechanical or inductive limit switches for end position registering
- Easy-to-clean clean chemically resistant housing featuring IP65/IP67, 4X Rating
- Optionally intrinsically safe variant according to IECEx

#### Customer benefits

- Easy and quick installation
- High level of signal reliability thanks to self-adjusting limit switches
- Minimised space requirement in the plant piping for more flexibility in plant design

## 7. Networking and combination with other Bürkert products

**Note:**

The **On/Off CLASSIC valve system Type 8801-DA** (alternatively 8801-DB) consists of a **diaphragm valve Type 2030** (alternatively **Type 2031**) and a **position feedback Type 8697**.

You order two components and receive a completely assembled and tested valve.

**Example:**



DTS 1000450587 EN Version: J Status: RL (released | freigegeben | validé) printed: 08.05.2024