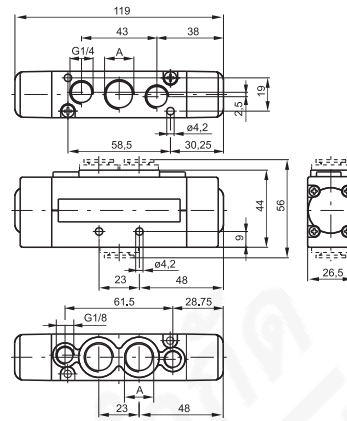


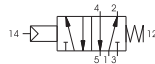
Pneumatic - Spring

Ordering code
261 A.52.00.19
CONNECTIONS
A 1 = G3/8"
5 = G1/4"
8 = quick fitting tube Ø10



For dimension "A" see ordering code

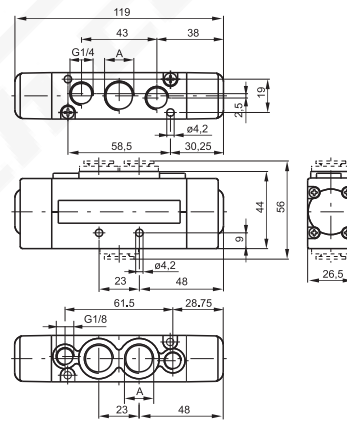
Weight gr. 235
Minimum piloting pressure 2 bar



Operational characteristic	Fluid	Max working pressure (bar)	Temperature °C	Flow rate at 6 bar with Δp=1 (NI/min)	Orifice size (mm)	Working ports size	Pilot ports size
	Filtered and lubricated air or not	10 bar	-5 - +50	1500 NI/min	mm 9	G1/4" - G3/8" tube Ø10	G1/8"

Pneumatic - Differential / Differential external

Ordering code
261 A.52.00.17
CONNECTIONS
A 1 = G3/8"
5 = G1/4"
8 = quick fitting tube Ø10
VERSION
V 16 = Pneum. - Diff./al
17 = Pneum. - Diff./al ext.



For dimension "A" see ordering code

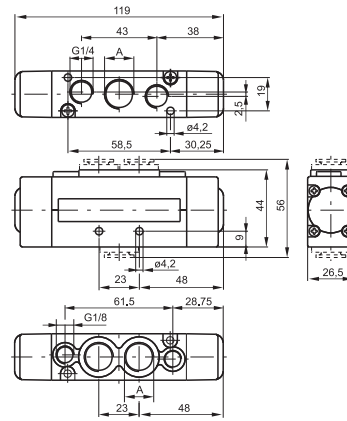
Weight gr. 235
Minimum piloting pressure 2 bar



Operational characteristic	Fluid	Max working pressure (bar)	Temperature °C	Flow rate at 6 bar with Δp=1 (NI/min)	Orifice size (mm)	Working ports size	Pilot ports size
	Filtered and lubricated air or not	10 bar	-5 - +50	1500 NI/min	mm 9	G1/4" - G3/8" tube Ø10	G1/8"

Pneumatic - Pneumatic

Ordering code
261 A.52.00.18
CONNECTIONS
A 1 = G3/8"
5 = G1/4"
8 = quick fitting tube Ø10



For dimension "A" see ordering code

Weight gr. 235
Minimum piloting pressure 1,5 bar



Operational characteristic	Fluid	Max working pressure (bar)	Temperature °C	Flow rate at 6 bar with Δp=1 (NI/min)	Orifice size (mm)	Working ports size	Pilot ports size
	Filtered and lubricated air or not	10 bar	-5 - +50	1500 NI/min	mm 9	G1/4" - G3/8" tube Ø10	G1/8"

Miniature solenoid - Spring / Differential

Ordering code

261 A.52.00.V.T

CONNECTIONS

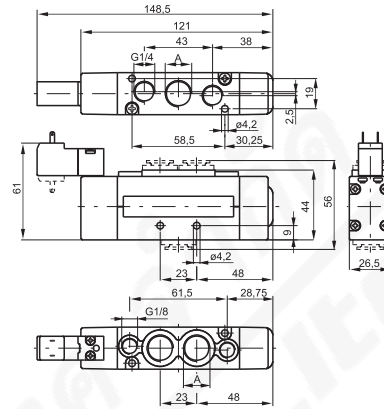
- A** 1=G3/8"
- 5=G1/4"
- 8=quick fitting tube Ø10

VERSION

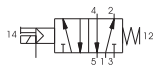
- V** 39=Sv. - Spring
- 29=Sv. ext. - Spring
- 36=Sv. - Diff./al
- 37=Sv. ext. - Diff./al ext.
- 26=Sv. ext. - Diff./al
- 27=Sv. ext. - Diff./al ext.

COIL VOLTAGE

- T** 01=12V DC
- 02=24V DC
- 05=24V AC
- 06=110V AC
- 07=230V AC
- 08=24V DC 1 Watt
- 09=24V DC Earth Faston
- 11=12V DC Downward
- 12=24V DC Downward
- 15=24V AC Downward
- 16=110V AC Downward
- 17=230V AC Downward
- 18=24V DC 1 Watt Downward
- 19=24V DC Earth Faston Downward



Weight gr. 275
Minimum working pressure 2 bar - For dimension "A" see ordering code



Operational characteristic	Fluid	Max working pressure (bar)	Temperature °C	Flow rate at 6 bar with Δp=1 (NI/min)	Orifice size (mm)	Working ports size
		Filtered and lubricated air or not	10 bar	-5 - +50	1500 NI/min	mm 9

Miniature solenoid - Miniature solenoid

Ordering code

261 A.52.00.V.T

CONNECTIONS

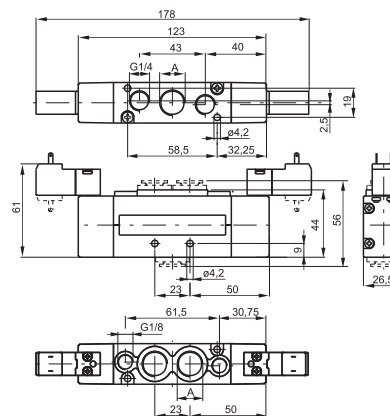
- A** 1=G3/8"
- 5=G1/4"
- 8=quick fitting tube Ø10

VERSION

- V** 35=Sv. - Sv.
- 24=Sv. ext. - Sv. ext.

COIL VOLTAGE

- T** 01=12V DC
- 02=24V DC
- 05=24V AC
- 06=110V AC
- 07=230V AC
- 08=24V DC 1 Watt
- 09=24V DC Earth Faston
- 11=12V DC Downward
- 12=24V DC Downward
- 15=24V AC Downward
- 16=110V AC Downward
- 17=230V AC Downward
- 18=24V DC 1 Watt Downward
- 19=24V DC Earth Faston Downward



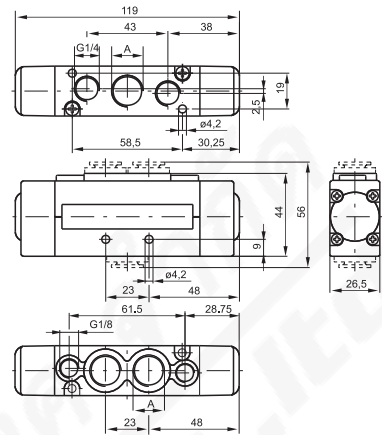
Weight gr. 295
Minimum working pressure 1,5 bar - For dimension "A" see ordering code



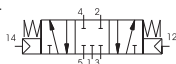
Operational characteristic	Fluid	Max working pressure (bar)	Temperature °C	Flow rate at 6 bar with Δp=1 (NI/min)	Orifice size (mm)	Working ports size
		Filtered and lubricated air or not	10 bar	-5 - +50	1500 NI/min	mm 9

Pneumatic - Pneumatic

Ordering code
261 A.53.F.18
CONNECTIONS
A 1=G3/8"
5=G1/4"
8=quick fitting tube Ø10
FUNCTION
F 31=Closed centres
32=Open centres
33=Pressured centres



Weight gr. 245 - Minimum working pressure 3 bar

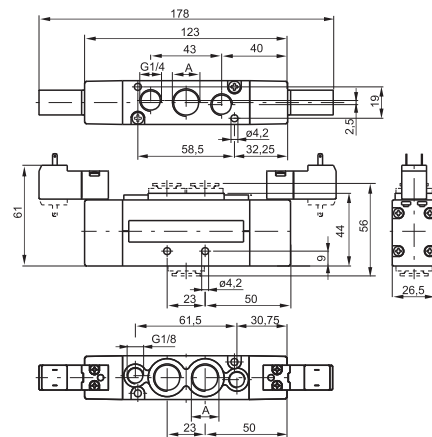


For dimension "A" see ordering code

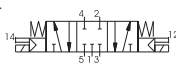
Operational characteristic	Fluid	Max working pressure (bar)	Temperature °C	Flow rate at 6 bar with Δp=1 (NI/min)	Orifice size (mm)	Working ports size	Pilot ports size
		Filtered and lubricated air or not	10 bar	-5 - +50	1350 NI/min	mm 9	G1/8"-G1/4" tube Ø6-tube Ø8

Miniature solenoid - Miniature solenoid

Ordering code
261 A.53.F.V.T
CONNECTIONS
A 1=G3/8"
5=G1/4"
8=quick fitting tube Ø10
FUNCTION
F 31=Closed centres
32=Open centres
33=Pressured centres
VERSION
V 24=Sv. ext. - Sv. ext.
35=Sv. - Sv.
COIL VOLTAGE
01=12V DC
02=24V DC
05=24V AC
06=110V AC
07=230V AC
08=24V DC 1 Watt
T 09=24V DC Earth Faston
11=12V DC Downward
12=24V DC Downward
15=24V AC Downward
16=110V AC Downward
17=230V AC Downward
18=24V DC 1 Watt Downward
19=24V DC Earth Faston Downward



Weight gr. 245 - Minimum working pressure 3 bar

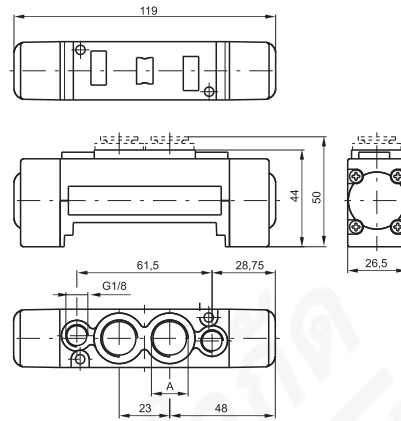


For dimension "A" see ordering code

Operational characteristic	Fluid	Max working pressure (bar)	Temperature °C	Flow rate at 6 bar with Δp=1 (NI/min)	Orifice size (mm)	Working ports size
		Filtered and lubricated air or not	10 bar	-5 - +50	1350 NI/min	mm 9

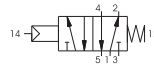
Pneumatic - Spring

Ordering code
263A.52.00.19
CONNECTIONS
A 1=G3/8"
5=G1/4"
8=quick fitting tube Ø10



For dimension "A" see ordering code

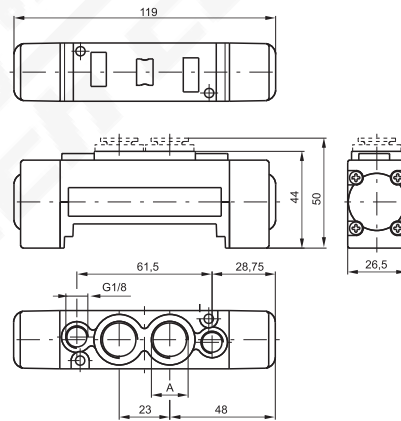
Weight gr. 185
Minimum piloting pressure 2 bar



Operational characteristic	Fluid	Max working pressure (bar)	Temperature °C	Flow rate at 6 bar with Δp=1 (Nl/min)	Orifice size (mm)	Working ports size	Pilot ports size
	Filtered and lubricated air or not	10 bar	-5 - +50	1500 Nl/min	mm 9	G1/4" - G3/8" tube Ø10	M5

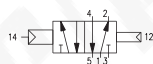
Pneumatic - Differential / Differential external

Ordering code
263A.52.00.V
CONNECTIONS
A 1=G3/8"
5=G1/4"
8=quick fitting tube Ø10
VERSION
V 16=Pneum. - Diff./al
17=Pneum. - Diff./al ext.



For dimension "A" see ordering code

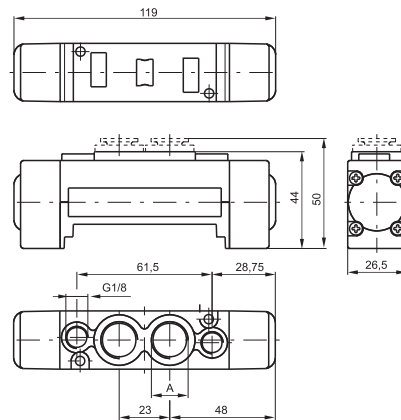
Weight gr. 185
Minimum piloting pressure 2 bar



Operational characteristic	Fluid	Max working pressure (bar)	Temperature °C	Flow rate at 6 bar with Δp=1 (Nl/min)	Orifice size (mm)	Working ports size	Pilot ports size
	Filtered and lubricated air or not	10 bar	-5 - +50	1500 Nl/min	mm 9	G1/4" - G3/8" tube Ø10	M5

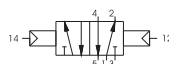
Pneumatic - Pneumatic

Ordering code
263A.52.00.18
CONNECTIONS
A 1=G3/8"
5=G1/4"
8=quick fitting tube Ø10



For dimension "A" see ordering code

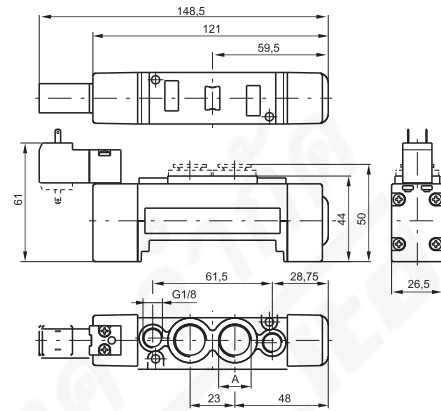
Weight gr. 185
Minimum piloting pressure 1,5 bar



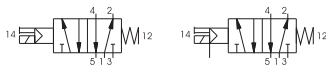
Operational characteristic	Fluid	Max working pressure (bar)	Temperature °C	Flow rate at 6 bar with Δp=1 (Nl/min)	Orifice size (mm)	Working ports size	Pilot ports size
	Filtered and lubricated air or not	10 bar	-5 - +50	1500 Nl/min	mm 9	G1/4" - G3/8" tube Ø10	M5

Miniature solenoid - Spring / Differential

Ordering code	
263A.52.00.V.T	
CONNECTIONS	
A	1 = G3/8" 5 = G1/4" 8 = quick fitting tube Ø10
VERSION	
V	39 = Sv. - Spring 29 = Sv. ext. - Spring 36 = Sv. - Diff./al 37 = Sv. ext. - Diff./al ext. 26 = Sv. ext. - Diff./al 27 = Sv. ext. - Diff./al ext.
COIL VOLTAGE	
T	01 = 12V DC 02 = 24V DC 05 = 24V AC 06 = 110V AC 07 = 230V AC 08 = 24V DC 1 Watt 09 = 24V DC Earth Faston 11 = 12V DC Downward 12 = 24V DC Downward 15 = 24V AC Downward 16 = 110V AC Downward 17 = 230V AC Downward 18 = 24V DC 1 Watt Downward 19 = 24V DC Earth Faston Downward



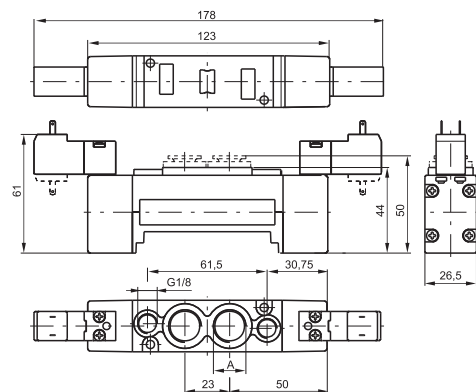
Weight gr. 220
Minimum working pressure 2 bar - For dimension "A" see ordering code



Operational characteristic	Fluid	Max working pressure (bar)	Temperature °C	Flow rate at 6 bar with Δp=1 (NI/min)	Orifice size (mm)	Working ports size
		Filtered and lubricated air or not	10 bar	-5 - +50	1500 NI/min	mm 9

Miniature solenoid - Miniature solenoid

Ordering code	
263A.52.00.V.T	
CONNECTIONS	
A	1 = G3/8" 5 = G1/4" 8 = quick fitting tube Ø10
VERSION	
V	35 = Sv. - Sv. 24 = Sv. ext. - Sv. ext.
COIL VOLTAGE	
T	01 = 12V DC 02 = 24V DC 05 = 24V AC 06 = 110V AC 07 = 230V AC 08 = 24V DC 1 Watt 09 = 24V DC Earth Faston 11 = 12V DC Downward 12 = 24V DC Downward 15 = 24V AC Downward 16 = 110V AC Downward 17 = 230V AC Downward 18 = 24V DC 1 Watt Downward 19 = 24V DC Earth Faston Downward



Weight gr. 250
Minimum working pressure 1,5 bar - For dimension "A" see ordering code



Operational characteristic	Fluid	Max working pressure (bar)	Temperature °C	Flow rate at 6 bar with Δp=1 (NI/min)	Orifice size (mm)	Working ports size
		Filtered and lubricated air or not	10 bar	-5 - +50	1500 NI/min	mm 9

Pneumatic - Pneumatic

Ordering code

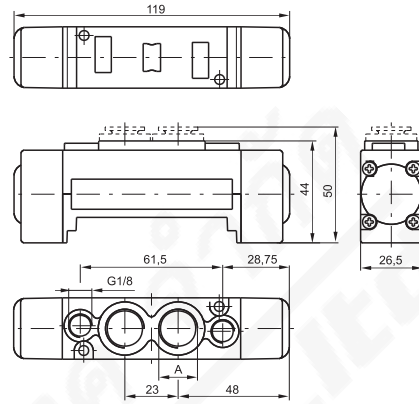
263A.53.F.18

CONNECTIONS

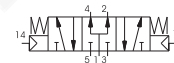
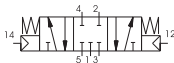
- A** 1=G3/8"
- 5=G1/4"
- 8=quick fitting tube Ø10

FUNCTION

- F** 31=Closed centres
- 32=Open centres
- 33=Pressured centres



Weight gr. 195 - Minimum working pressure 3 bar



For dimension "A" see ordering code

Operational characteristic	Fluid	Max working pressure (bar)	Temperature °C	Flow rate at 6 bar with Δp=1 (NI/min)	Orifice size (mm)	Working ports size	Pilot ports size
		Filtered and lubricated air or not	10 bar	-5 - +50	1350 NI/min	mm 9	G1/8"-G1/4" tube Ø6-tube Ø8

Miniature solenoid - Miniature solenoid

Ordering code

263A.53.F.V.T

CONNECTIONS

- A** 1=G3/8"
- 5=G1/4"
- 8=quick fitting tube Ø10

FUNCTION

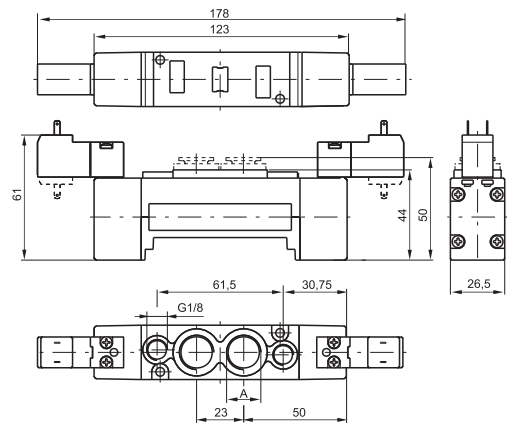
- F** 31=Closed centres
- 32=Open centres
- 33=Pressured centres

VERSION

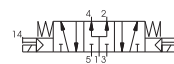
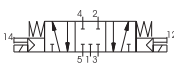
- V** 24=Sv. ext. - Sv. ext.
- 35=Sv. - Sv.

COIL VOLTAGE

- 01=12V DC
- 02=24V DC
- 05=24V AC
- 06=110V AC
- 07=230V AC
- 08=24V DC 1 Watt
- T** 09=24V DC Earth Faston
- 11=12V DC Downward
- 12=24V DC Downward
- 15=24V AC Downward
- 16=110V AC Downward
- 17=230V AC Downward
- 18=24V DC 1 Watt Downward
- 19=24V DC Earth Faston Downward



Weight gr. 270 - Minimum working pressure 3 bar



For dimension "A" see ordering code

Operational characteristic	Fluid	Max working pressure (bar)	Temperature °C	Flow rate at 6 bar with Δp=1 (NI/min)	Orifice size (mm)	Working ports size
		Filtered and lubricated air or not	10 bar	-5 - +50	1350 NI/min	mm 9

Modular base

Right inlet base

Ordering code
2630.01

Weight gr. 80

Ordering code
2630.02

Weight gr. 80

Left inlet base

Intermediate air intake

Ordering code
2630.03

Weight gr. 100

Ordering code
2630.10

Weight gr. 60
to be assembled of a valve

Closing plate

Diaphragm plug

Ordering code
2630.00

Weight gr. 20

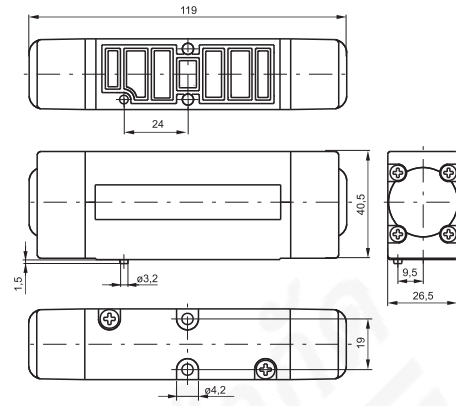
Ordering code
2630.17

Weight gr. 5

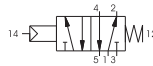
Pneumatic - Spring

Ordering code

2645.52.00.19



Weight gr. 235
Minimum piloting pressure 2 bar



Operational characteristic

Fluid	Max working pressure (bar)	Temperature °C	Flow rate at 6 bar with $\Delta p=1$ (NI/min)	Orifice size (mm)
Filtered and lubricated air or not	10 bar	-5 - +50	1100 NI/min	mm 7,5

Pneumatic - Differential / Differential external

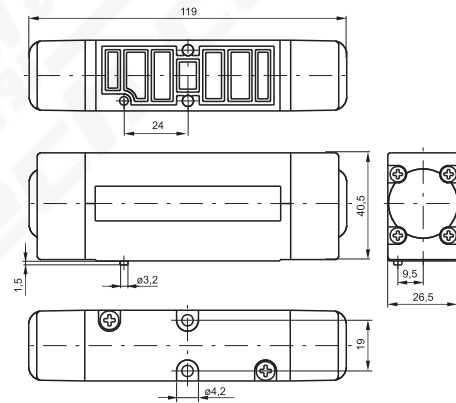
Ordering code

2645.52.00.V

VERSION

16=Pneumatic - Differential

17=Pneumatic - Differential external



Weight gr. 235
Minimum piloting pressure 2 bar



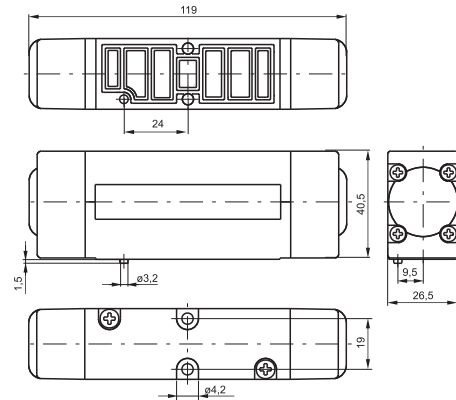
Operational characteristic

Fluid	Max working pressure (bar)	Temperature °C	Flow rate at 6 bar with $\Delta p=1$ (NI/min)	Orifice size (mm)
Filtered and lubricated air or not	10 bar	-5 - +50	1100 NI/min	mm 7,5

Pneumatic - Pneumatic

Ordering code

2645.52.00.18



Weight gr. 255
Minimum piloting pressure 1,5 bar

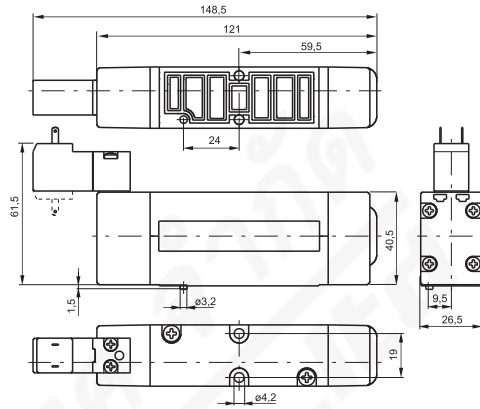


Operational characteristic

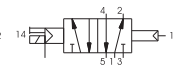
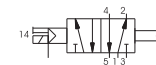
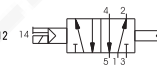
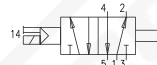
Fluid	Max working pressure (bar)	Temperature °C	Flow rate at 6 bar with $\Delta p=1$ (NI/min)	Orifice size (mm)
Filtered and lubricated air or not	10 bar	-5 - +50	1100 NI/min	mm 7,5

Miniature solenoid - Spring / Differential

Ordering code	
264E.52.00.V.T	
TYPE ELECTROPILOT EXHAUST	
E	1=on base (only for self feeding valves)
	5=on pilot (for all version)
VERSION	
	39=Sv. - Spring
	29=Sv. ext. - Spring
V	36=Sv. - Diff./al
	37=Sv. ext. - Diff./al ext.
	26=Sv. ext. - Diff./al
	27=Sv. ext. - Differ. ext.
COIL VOLTAGE	
	01=12V DC
	02=24V DC
	05=24V AC
	06=110V AC
	07=230V AC
	08=24V DC 1 Watt
T	09=24V DC Earth Faston
	11=12V DC Downward
	12=24V DC Downward
	15=24V AC Downward
	16=110V AC Downward
	17=230V AC Downward
	18=24V DC 1 Watt Downward
	19=24V DC Earth Faston Downward



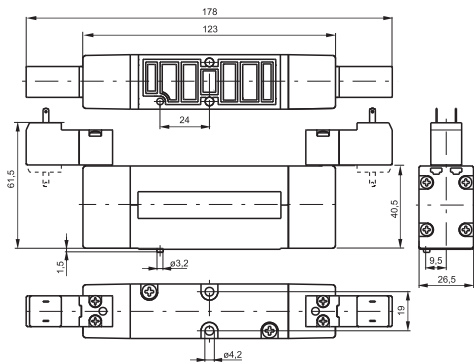
Miniature solenoid - Spring / Differenzial: Weight gr. 270 - Minimum working pressure 2 bar



Operational characteristic	Fluid	Max working pressure (bar)	Temperature °C	Flow rate at 6 bar with $\Delta p=1$ (NI/min)	Orifice size (mm)
		Filtered and lubricated air or not	10 bar	-5 - +50	1100 NI/min

Miniature solenoid - Miniature solenoid

Ordering code	
264E.52.00.V.T	
TYPE ELECTROPILOT EXHAUST	
E	1=on base (only for self feeding valves)
	5=on pilot (for all version)
VERSION	
V	35=Sv. - Sv.
	24=Sv. ext. - Sv. ext.
COIL VOLTAGE	
	01=12V DC
	02=24V DC
	05=24V AC
	06=110V AC
	07=230V AC
	08=24V DC 1 Watt
T	09=24V DC Earth Faston
	11=12V DC Downward
	12=24V DC Downward
	15=24V AC Downward
	16=110V AC Downward
	17=230V AC Downward
	18=24V DC 1 Watt Downward
	19=24V DC Earth Faston Downward



Miniature solenoid - Miniature solenoid: Weight gr. 305 - Minimum working pressure 1,5 bar



Operational characteristic	Fluid	Max working pressure (bar)	Temperature °C	Flow rate at 6 bar with $\Delta p=1$ (NI/min)	Orifice size (mm)
		Filtered and lubricated air or not	10 bar	-5 - +50	1100 NI/min

Pneumatic - Pneumatic

Ordering code

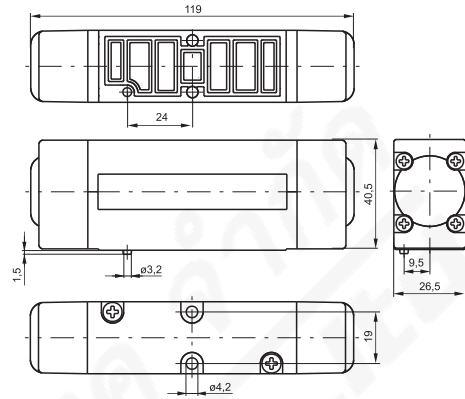
264E.53.F.18

TYPE ELECTROPILOT EXHAUST

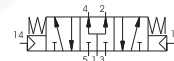
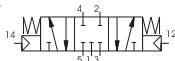
E 1=on base (only for self feeding valves)
5=on pilot (for all version)

FUNCTION

F 31=Closed centres
32=Open centres
33=Pressured centres



Weight gr. 245 - Minimum working pressure 3 bar



Operational characteristic

Fluid	Max working pressure (bar)	Temperature °C	Flow rate at 6 bar with Δp=1 (NI/min)	Orifice size (mm)
Filtered and lubricated air or not	10 bar	-5 - +50	1000 NI/min	mm 7,5

Miniature solenoid - Miniature solenoid

Ordering code

264E.53.F.V.T

TYPE ELECTROPILOT EXHAUST

E 1=on base (only for self feeding valves)
5=on pilot (for all version)

FUNCTION

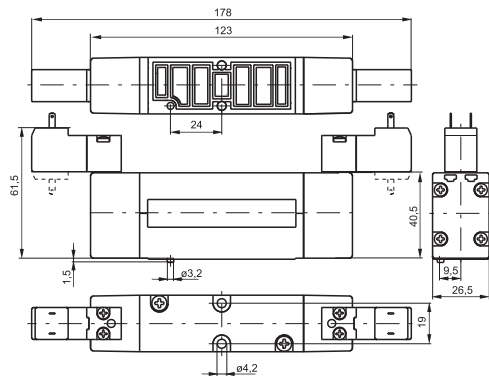
F 31=Closed centres
32=Open centres
33=Pressured centres

VERSION

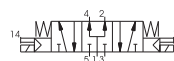
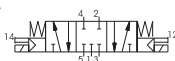
V 24=Sv. ext. - Sv. ext.
35=Sv. - Sv.

COIL VOLTAGE

T 01=12V DC
02=24V DC
05=24V AC
06=110V AC
07=230V AC
08=24V DC 1 Watt
09=24V DC Earth Faston
11=12V DC Downward
12=24V DC Downward
15=24V AC Downward
16=110V AC Downward
17=230V AC Downward
18=24V DC 1 Watt Downward
19=24V DC Earth Faston Downward



Weight gr. 315 - Minimum working pressure 3 bar

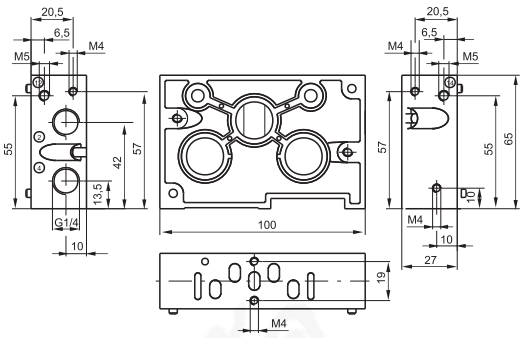


Operational characteristic

Fluid	Max working pressure (bar)	Temperature °C	Flow rate at 6 bar with Δp=1 (NI/min)	Orifice size (mm)
Filtered and lubricated air or not	10 bar	-5 - +50	1000 NI/min	mm 5

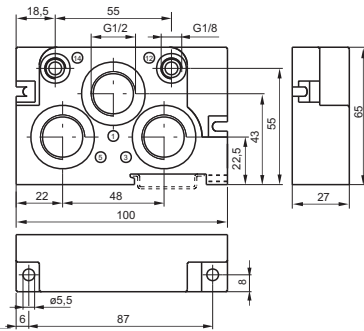
Modular base

Ordering code	
2640.V	
VERSION	
V 01 = standard base	
11 = for single separate inlet	



Weight gr. 220

Right inlet base

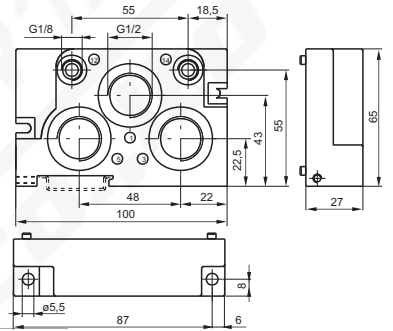


Ordering code

2640.02

Weight gr. 200

Left inlet base



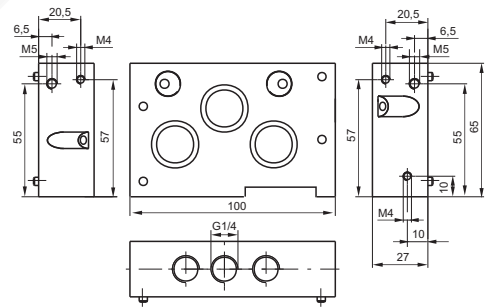
Ordering code

2640.03

Weight gr. 200

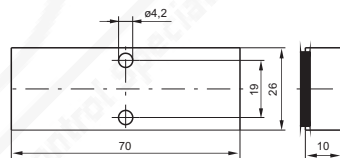
Intermediate air intake

Ordering code	
2640.10	



Weight gr. 380

Closing plate



Ordering code

2640.00

Weight gr. 50

Diaphragm plug



Ordering code

2640.17

Weight gr. 10

2

