

PRESSURE / VACUUM Switches

PDA Models
Port Sizes: 1/8, 1/4



Model Shown: PDA414-2

Pressure/Vacuum switches can provide an electrical signal to warn or prevent over- or under-pressurization which can be harmful to a machine or process. The pressure is adjustable. Switches are sealed, vibration resistant, and built to provide reliable protection. They can be either direct or remotely mounted. Switches are available in three basic configurations:

Flying leads with 18-inch (450-mm) wires.
Flying leads with female weather pack.
For use with DIN connectors.

Modular Installation

Any of the pressure valves can be incorporated into any of the **GUARDSMAN, SERIES 380**, or **VANGUARD** modular FRL assemblies. For information about such installations, contact Master Pneumatic.

SPECIFICATIONS

Ambient/Media Temperature:

-40° to 180°F (-40° to 80°C).

Electrical:

5 ampere at 125 / 250 VAC

5 ampere at 12 / 24 VDC

Housing: Glass-filled nylon.

Pressure Fitting: Brass, optional stainless steel

Maximum Overpressure: 350 psig (25 bar).

Repeatability: ± 2% of full set point range at 70°F (20°C) ambient temperature.

Weight: 0.3 lb (0.14 kg).

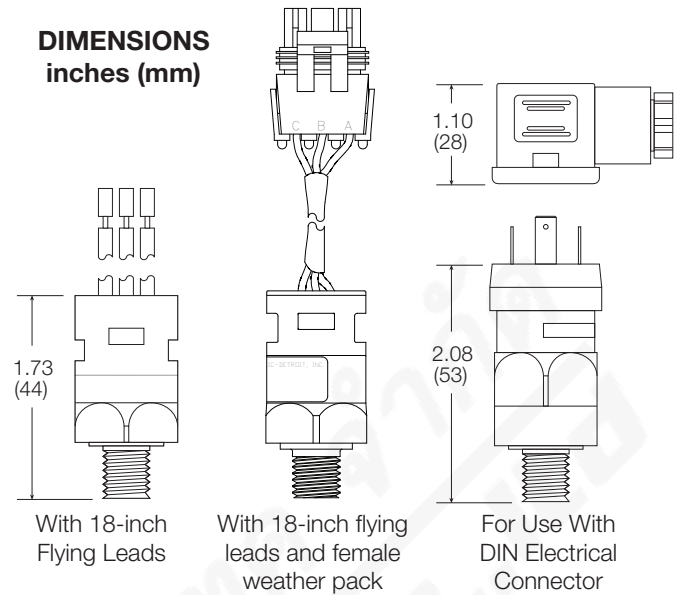
FLU-TECH CO. LTD.

Email: sales@flutech.co.th **Website:** <https://flutech.co.th>

Tel: 02-384-6060, 086-369-5871-3 **Fax:** 02-384-5701 **LINE OA:** @flutech.co.th

Address (HQ): 845/3-4, Moo 3, Theparak Rd., T. Theparak, A. Mueang Samut Prakan, Samut Prakan, 10270, Thailand





ORDERING INFORMATION

Change the numbers in the sample model number below to specify the switch you want. These switches can also be ordered with FRL units. For vacuum applications consult Master Pneumatic.

PDA 2 1 1 - 2 A W

ADJUSTMENT RANGE

- 3-7 psig (0.2-0.5 bar) 1
- 5-30 psig (0.35-2 bar) 2
- 25-100 psig (1.7-6.9 bar) 4

CIRCUIT TYPE

- SPDT 1
- SPST normally open 2
(must use **electrical connection 1 or 2**)
- SPST normally closed 3
(must use **electrical connection 1 or 2**)

ELECTRICAL CONNECTION

- 18-inch (450-mm) flying leads 1
- Flying leads & female weather pack 2
- DIN 43650A, male half only 3
- DIN 43650A cable clamp 4
- DIN 43650A 1/2-inch (13-mm) 5
female conduit

PIPE SIZE

- 1/8 NPT 1
- 1/8 BSP (Brass pressure fitting only) 1
See port type for additional add-on
- 1/4 NPT 2
- 1/4 BSP 2
See port type for additional add-on
- 7/16-20 SAE S7

PORT TYPE

- NPT threads Leave Blank
- BSP threads W

OPTIONS

- Viton diaphragm A
- EPDM diaphragm B
- 10-ampere rating E
- Gold electrical contacts F
- DIN light 110 volt AC G
(must be used along with option 4 under **Electrical Connection** section)
- DIN light 12 volt DC H
(must be used along with option 4 under **Electrical Connection** section)
- DIN light 24 volt DC J
(must be used along with option 4 under **Electrical Connection** section)
- 316 Stainless Steel M
pressure fitting

AUTHORIZED DISTRIBUTOR



บริษัท ฟลูเทค จำกัด
FLU-TECH Co.,LTD.