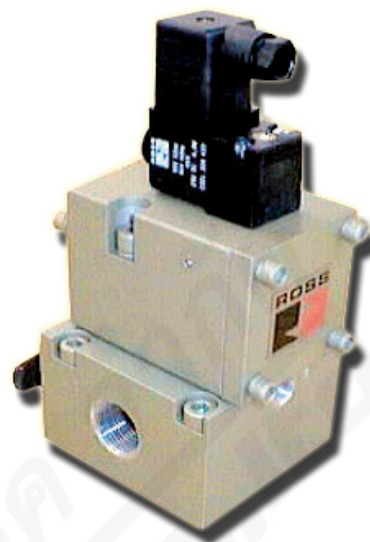


FINAL BLOW, SETTLE BLOW, FINISH COOLING, BLOW OFF

3/2 Directional Control Valve - Pressure Booster Options

- High-speed poppet construction
- Constant repeatability
- Non friction seat seals
- Non-lube
- Specialised low-wear body-coating
- Quick exhaust, pressure booster options
- Locking, non-locking manual overrides
- Special base options



STANDARD SPECIFICATIONS

Solenoids: Standard voltages 200-240 volts 50/60 Hz;
100-120 volts 50/60 Hz; 110 volts d.c. 24 volts d.c.

Power Consumption: 30 VA inrush, 16 VA holding on 50
or 60 Hz; 11 watts on d.c.

Flow Medium: Filtered air.

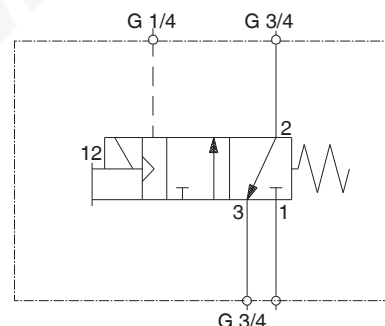
Ambient Temperature: -17° to 80° C (0° to 175° F).

Media Temperature: -17° to 150° C (0° to 300° F).

Inlet Pressure: 2 to 10 bar (30 to 150 psig).

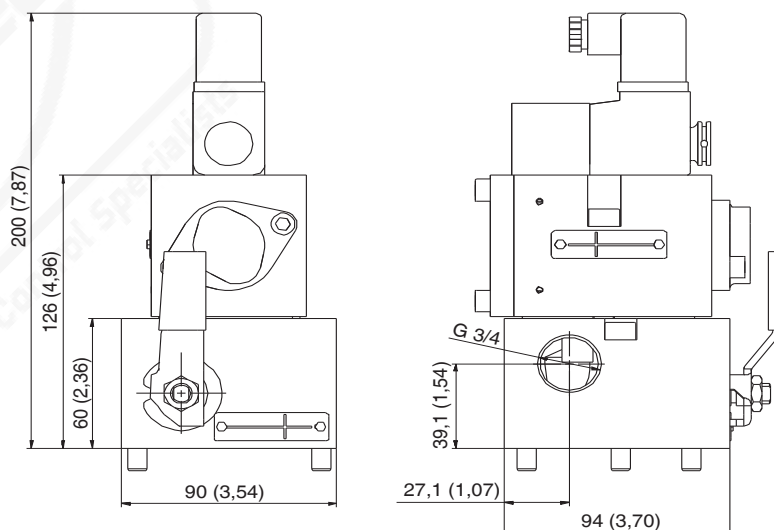
Consult ROSS for lower inlet pressure.

Model Numbers
D2173A5950 (Valve)
D749G91 (Base)



We reserve the right to introduce technical modifications.

Dimensions - mm (inches)



FLU-TECH CO. LTD.

Email: sales@flutech.co.th **Website:** <https://flutech.co.th>

Tel: 02-384-6060, 086-369-5871-3 **Fax:** 02-384-5701 **LINE OA:** @flutech.co.th

Address (HQ): 845/3-4, Moo 3, Theparak Rd., T. Theparak, A. Mueang Samut Prakan, Samut Prakan, 10270, Thailand

