

SERVO-METER Controller

PC110 Models Port Sizes: 1/4

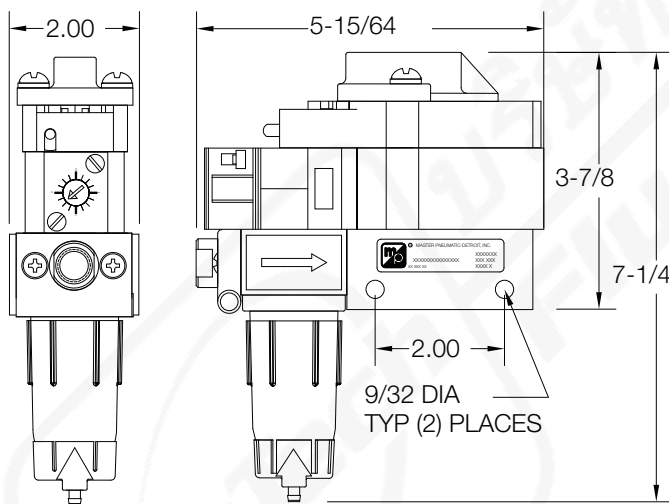


Model Shown: PC110-2

The **PC110** frequency controller has been designed for anyone that has a **constant inlet air supply** and needs an actuation every 1, 5 or 10 pulses of air (The pulse of air can be adjusted from 1 to 300 seconds.)

The **PC110** frequency controller is designed to take a constant air delivery and change it into a controllable pulse of air that will actuate attached counter and provide a range of air impulses from once a second to once every three hundred seconds or five minutes for consistent pulse. First, the frequency generator is adjusted clockwise with a stop watch. The sensitivity is most accurate between 1 to 60 seconds, according to M/P Engineering tests. The pneumatic counter is factory set at five but adjustable by forcing the pointer with a screwdriver into the alternate positions of one and ten. Multiply the frequency generator times (1, 5 or 10) the counter settings to get the range of air pulses. Counter settings: **1=1-30 seconds, 5=5-150 seconds, and 10=10-300 seconds.**

The frequency controller is supplied standard with one pneumatic counter, frequency generator and **FC10** coalescent filter to provide 0.3 micron air supply. A five micron air supply (*available with the standard Master pneumatic filters should provide to assure long life and cartridge in the coalescent filter.*)



ORDERING INFORMATION

Change the letters in the sample model number below to specify the filter/regulator you want.

PC110-2 W

PORT TYPE

- 1/4 NPTF Leave Blank
- 1/4 BSPP W

AUTHORIZED DISTRIBUTOR

