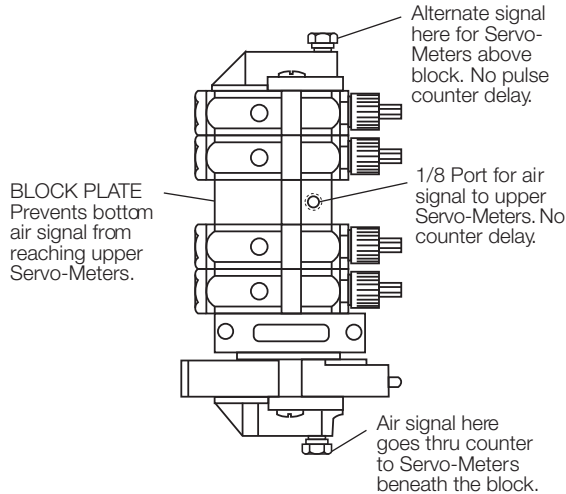


# SERV-OIL Accessories

**BLOCK PLATE.** Used between Servo-Meters in a stack to block air signals. Different actuating air signals can then be used for the two groups of Servo-Meters separated by the block plate. The oil supply, however, is not blocked by the plate.



Block Plate Kit with **NPT** threads .....K474-07T  
Includes all necessary seals and assembly hardware. For **BSP** threads add suffix W to part number.

**CHECK VALVES.** Used at lubrication point to keep air out of oil lines. **NPT** threads, Nitrile seals. For **BSP** threads add suffix W to the part number; for Viton seals add suffix letter V. Both straight check valves and right-angle elbow valves are available.

Part No.	Type	Inlet	Outlet
A01242	Elbow	1/8 Female	1/8 Male
A01242L *	Elbow	1/8 Female	1/8 Male
A01244	Elbow	1/8 Female	1/4 Male
A01242S	Straight	1/8 Female	1/8 Male
A01242SL *	Straight	1/8 Female	1/8 Male
A01244S	Straight	1/8 Female	1/4 Male
A01284S	Straight	1/4 Female	1/4 Male
A01284SL *	Straight	1/4 Female	1/4 Male

\* = Lower cracking pressure.



**Type:** Straight  
**Model Shown:** A01242S



**Type:** Elbow  
**Model Shown:** A01242

**PULSE COUNTER KIT for MPLs.** A pulse counter can be set to actuate Servo-Meters on every operating cycle, every 5th cycle, or every 10th cycle. Counter Kit KA418-04M includes a counter, and all necessary seals and hardware for mounting.

# Used with MPLs

## CONNECTORS for TUBING

Connector Part No.	Description	Usage
00142W	1/8" NPT x 1/8"	Nylon or Copper Oil Delivery Lines
00182W	1/8" NPT x 1/4"	Nylon or Copper Oil Delivery Lines
001124W	1/4" NPT x 3/8"	Nylon or Copper Air Signal or Oil Delivery Lines
02942M	Double Barbed Connector for Splicing 1/8" Tubing	Oil Delivery Lines

Note: Tube fittings are not available with **BSP** threading

**TUBING.** Tubing lengths should be specified as shown below:

Tubing Part No.	Description	Usage
<b>NON-FILLED TUBING</b>		
00942M-*	1/8" O.D. Nylon	Oil Delivery Lines
B00942M-@	1/8" O.D. Nylon	Oil Delivery Lines
B00942F-#	1/8" O.D. Nylon	Oil Delivery Lines
00984M	1/4" O.D. Nylon	Air Signal Lines

**PRE-FILLED TUBING** (tubing is filled and capped)

A00942M-@	1/8" O.D. Nylon,	Oil Delivery Lines
A00942F-#	1/8" O.D. Nylon,	Oil Delivery Lines

\* = 1 inch of tubing. Ex: -12 = 12 inches.

@ = 1 meter of tubing. Ex: -12 = 12 meters

# = 1 Foot of tubing. Ex: -12 = 12 feet.

**CHECK VALVE FOR TUBING** (Check valve is necessary for proper function): 420-160

## REPLACEMENT KITS for SERVO-METERS.

Seals for the air end are Nitrile; seals for the oil end are available in three different materials: Nitrile, Viton, or Ethylpropylene. For satisfactory service it is recommended that replacement kits can be installed on both the air end and the oil end.

Servo-Meter	Buna-N Seals for Air End	Buna-N† Seals for Oil End
1/2 Drop, Non-shutoff	KA457-37M-5	KA457-12-5I
1/2 Drop, Shutoff	KA457-38M-5	KA457-12-5I
1 Drop, Non-shutoff	KA457-37M-1	KA457-12-1I
1 Drop, Shutoff	KA457-38M-1	KA457-12-1I
2 Drops, Non-shutoff	KA457-37M-2	KA457-12-2I
2 Drops, Shutoff	KA457-38M-2	KA457-12-2I

† For Oil End Seals only: Add suffix V for Viton seals. Add suffix E for EPR seals.