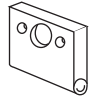


SENTRY Modular Accessories

Sentry modular units use end plates secured with screws to hold the ports in place, and also to serve as mounting brackets. Short screws secure the end plates when a single module is used; long screws when two or more modules are used. Parts required for assembly are as follows:



Sentry End Plate

Item	Part Number	Quantity Required		
		1 Unit	2 Units	3 Units
End Plate	10R-10	2	2	2
Short Screw	10R-18	4	2	0
Long Screw	10R-19	0	2	4
Small O-ring	103-95	1	1	1
Large O-ring	33-53	1	2	3
Ports		See Chart at Right		

Sentry assemblies can be fitted with either threaded pipe ports or ports for tubing. The sizes available are shown below. Two ports required for each assembly.

PIPE PORTS		TUBING PORTS	
Pipe Size	Port Number	Tubing Size	Port Number
G 1/8	10R-21-1/8W	1/4	A10R-21-04
G 1/4	10R-21-1/4W	3/8	A10R-21-06
1/8 NPT	10R-21-1/8	4 mm	A10R-21-M4
1/4 NPT	10R-21-1/4	6 mm	A10R-21-M6
		8 mm	A10R-21-M8
		10 mm	A10R-21-M10

GUARDSMAN and VANGUARD Modular Accessories



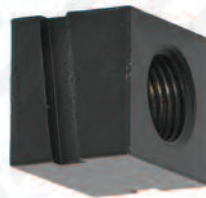
MODULAR CONNECTORS

GUARDSMAN and VANGUARD modular components can be joined or removed quickly with these specially designed connectors. Each connector includes an O-ring assembly which forms an air-tight seal between modules. FRL and other assemblies include the required modular connectors between components, unless the assembly has been specifically ordered for connection with pipe nipples.

Connectors can be ordered as part number KA30-04.

MODULAR FEMALE PORT

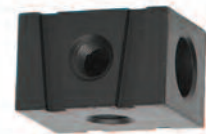
Used to connect modular units to piping at inlet or outlet.



Port Size	Female Port Part Number
1/4	30-12-1/4
3/8	30-12-3/8
1/2	30-12-1/2
3/4	30-12-3/4

MODULAR EXTRA PORTS

Used before or after a modular unit to supply three auxiliary 1/4 ports.



Port Size	Female Port Part Number
All	30-13

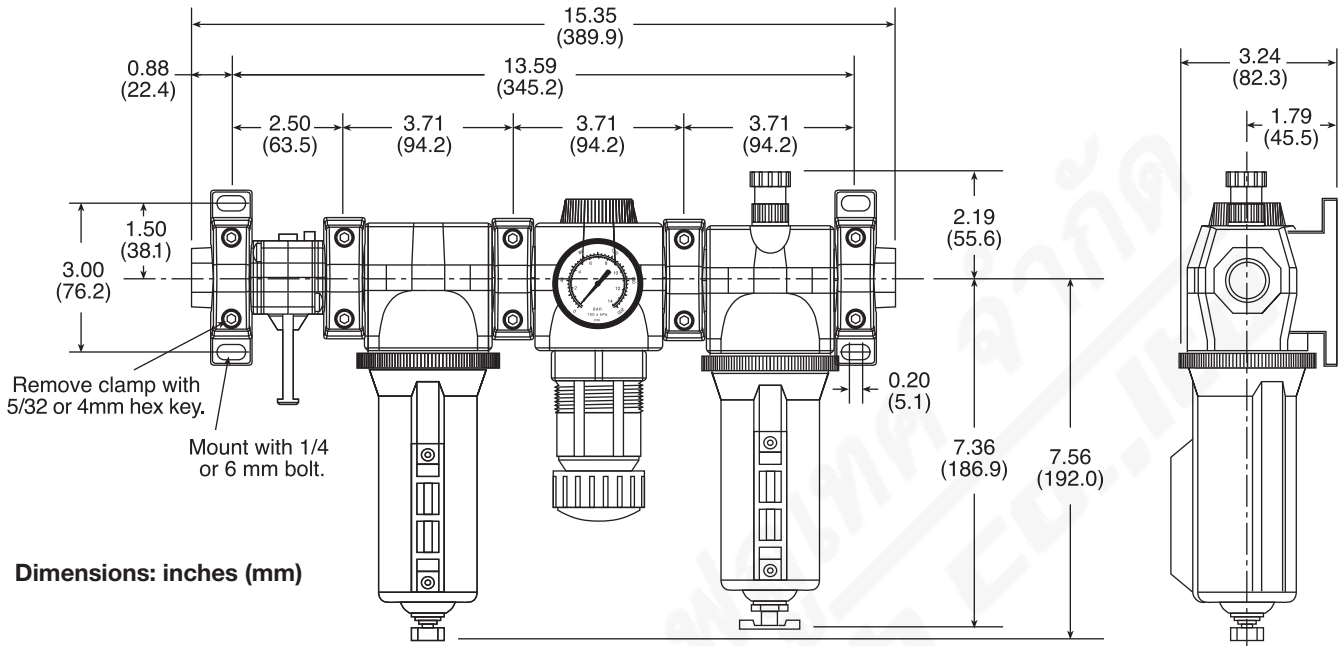
MODULAR MALE PORT

Used to connect modular units to non-modular units. Also allows right-angle connections by using the side ports or extra ports shown at the right.



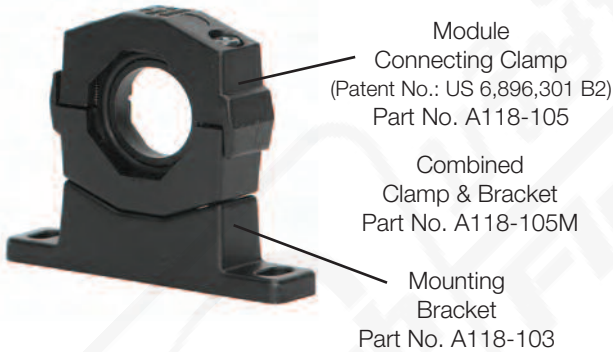
Port Size	Male Port Part Number
1/4	30-11-1/4
3/8	30-11-3/8
1/2	30-11-1/2
3/4	30-11-3/4

SERIES 380 Modular Accessories



Dimensions: inches (mm)

MALE and FEMALE END PORTS



CLAMP for MODULE CONNECTIONS

Specially designed clamps provide a quick and easy assembly or disassembly of Series 380 modules. Two allen-head bolts quickly tighten or loosen the clamp using a 5/32 or 4mm hex key. The clamp contains a plate carrying two O-rings to provide positive sealing between modules. Order clamp by part number A118-105. Combined clamp and bracket (below) can be ordered by part number A118-105M.

MOUNTING BRACKET

Two brackets are normally used to mount an FRL to a vertical surface. The mounting bracket attaches to the module-connecting clamp (see above) with a single screw. Each bracket then employs two bolts (1/4" or 6mm) to connect the assembly to the mounting surface. Order bracket and screw by part number A118-103. Combined bracket and clamp (above) can be ordered by part number A118-105M.

Either male or female end ports can be attached to threaded inlet and outlet lines. This allows all modules of an FRL assembly to be removed easily and quickly without having to unthread the end modules. The end ports are attached to the modules with clamps (see at left). End ports can be included in an assembled FRL or ordered separately by the following part numbers:

Port Size	Male Number	Female Number
3/8 NPTF	—	118-100-3
1/2 NPTF	118-109-4F	118-100-4
3/4 NPTF	118-109-6F	118-100-6

EXTRA PORT BLOCK



An extra port block can be placed between modules to provide two auxiliary 1/4 NPTF ports. Its mounting position can be rotated to obtain the most convenient operating orientation. If only one auxiliary port is to be used, the unused port must be closed with a pipe plug. (The inlet and outlet are not threaded.) Order with FRLs (see page 276) or order by the following part numbers:

Port Size	Part Number
1/4 NPTF	118-106-2
1/4-BSPP	118-106-2W
3/8 NPTF	118-106-3
3/8-BSPP	118-106-3W
1/2 NPTF	118-106-4
1/2-BSPP	11-106-4W

ACCESSORIES