

Full-Size SERIES 380 Modular Oil Vapor Removal (Adsorbing) Filters

FC380-E9 Models Port Sizes: 3/8, 1/2, 3/4

The adsorbing filter is designed to remove vapors from the air line that cannot be removed by a coalescing filter. It produces air free of oil and hydrocarbons as required by industries such as food processing, electronics, and instrumentation. An adsorbing filter preceded by a coalescing filter and a general purpose filter constitute a Clean Air Package as shown on the following pages.



Model Shown: FC380-6E9

Available Color Caps



- ◆ Modular or inline mounting.
- ◆ Filter cartridge contains activated carbon.
- ◆ Polycarbonate plastic bowl with steel shatter-guard; optional aluminum bowl. Optional extended aluminum bowl with higher flow filter cartridge.
- ◆ Manual drain.
- ◆ NPTF port threads; optional BSPP threads.

SPECIFICATIONS

Ambient/Media Temperature:

Plastic bowl: 40° to 125°F (4° to 52°C).
 Metal bowl: 40° to 175°F (4° to 79°C).

Body: Zinc.

Bowl: 9-Ounce (270-ml) capacity polycarbonate plastic with steel shatterguard; optional aluminum bowl. Optional 15-ounce (450-ml) extended aluminum bowl includes a higher capacity adsorbing cartridge.

Bowl Drain: Manual.

Bowl Ring: Nylon.

Cap Color: Accent grey. Yellow, red, and blue optional.

Filter Cartridge: Activated carbon with urethane seals.

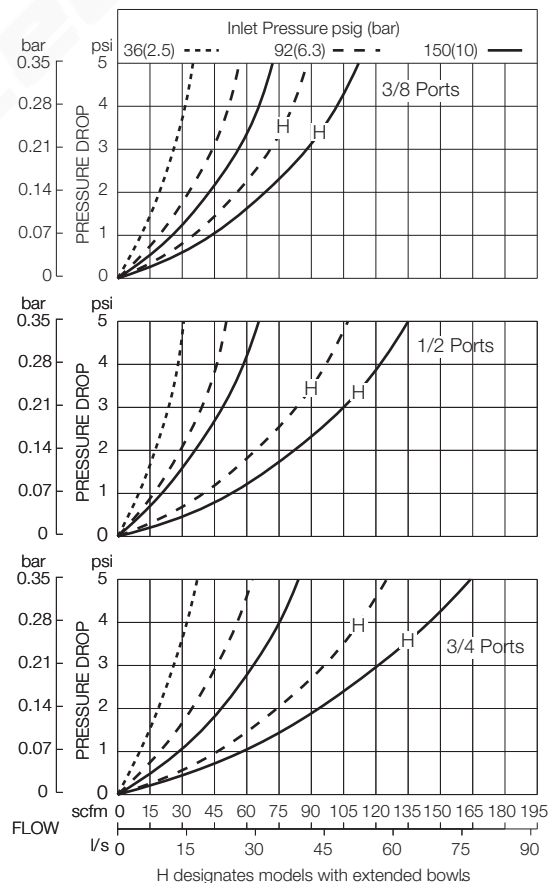
Fluid Media: Compressed air.

Inlet Pressure:

Plastic bowl: 150 psig (10 bar) maximum.
 Metal bowl: 200 psig (14 bar) maximum.

Seals: Nitrile.

FLOW CHARTS

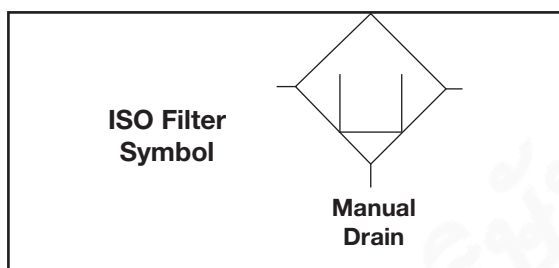
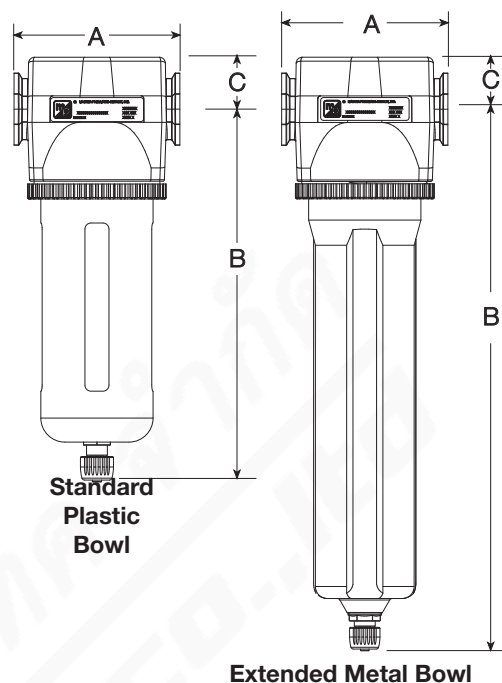


AUTHORIZED DISTRIBUTOR

DIMENSIONS inches (mm)

Bowl	A	B †	C	Depth	Weight lb (kg)
Polycarbonate	3.5 (88)	7.7 (195)	1.1 (28)	2.9 (73)	2.13 (0.97)
9-Ounce Metal	3.5 (88)	7.6 (193)	1.1 (28)	3.1 (79)	2.13 (0.97)
Extended Metal	3.5 (88)	11.2 (284)	1.1 (28)	3.1 (79)	2.31 (1.05)

† Bowl removal clearance: add 3.1 (79) for 9-ounce bowl; 6.1 (155) for extended bowl.



REPLACEMENT FILTER ELEMENT KITS

Bowl Size	Kit Number
Standard (Std element).....	A115-117E9
Extended	A115-118E9

ORDERING INFORMATION

Change the letters in the sample model number below to specify the filter you want.

B FC 380 - 3 Y E9 W

BOWL TYPE

Plastic with guard Leave Blank

Metal B

BOWL SIZE

Standard 9-ounce bowl 380

Extended 15-ounce high-flow (metal only) 380H

PORT TYPE

NPTF threads Leave Blank

BSPP threads W

OPTIONS

None Leave Blank

Cap color: Grey is standard.

MP yellow C1

Red C2

Mid blue C3

PORT SIZE

3/8 NPTF 3

1/2 NPTF 4

3/4 NPTF 6

AUTHORIZED DISTRIBUTOR

