

# SERIES 380 4 Drop Breathing Air Assembly

## 380-4SA446 Model Port Size: 1/2



Model Shown: 380-4SA446

Master Pneumatic's breathing air assembly is designed to provide breathing air for up to 4 workers.

The general purpose filter in this assembly removes gross contaminants while the coalescing filter removes oil mists, aerosols and minute particles. The adsorbing filter effectively eliminates odors from freons, alcohols, esters, keytones and up to 99 percent of most hydrocarbons. The CO monitor is designed to detect and alert user to presence of CO if the level is 10 ppm or greater as stated in OSHA title 29 section 1910.134(D)(1)&(2) ANSI/CGA standard G-7.1

### SPECIFICATIONS

#### Ambient/Media Temperature:

Plastic Bowl, float drain: 40° to 120°F (4° to 49°C).

**Body:** Die-cast zinc.

**Bowl:** 9-Ounce (270-ml) capacity polycarbonate plastic with nylon shatterguard.

#### Bowl Drains:

**Filter and Coalescing Filter:** Internal float drain. By removing the adjustment knob a 3/16" (5mm) flexible tube can be connected to drain effluents.

Adsorber Filter: Manual drain.

**Cap Color:** Blue.

**Differential Pressure Gauge:** Included.

#### Elements:

**Filter:** 5-µm-rated polyethylene.

**Coalescing:** 0.3-µm-rated borosilicate-glass-fiber.

**Adsorbing:** Activated carbon with urethane seals.

**Fluid Media:** Compressed air.

#### Operating Pressure:

Plastic bowl & Float drain: 80-150 psig (5.5-10.3 bar).

**Seals:** Nitrile

**Quick Disconnect:** Hansen style

**Flow:** Up to 60 SCFM

### GENERAL

- ◆ Modular or inline mounting, front mounted modular clamping design with encapsulated screws.
- ◆ 1/2" NPTF port threads
- ◆ Polycarbonate plastic bowl with steel shatterguard - Unique to Series 380.
- ◆ This Breathing Air Assembly can allow end users to achieve "grade D" breathing air as defined by the Compressed Gas Association's commodity specification: G-7.1 ([www.cganet.com](http://www.cganet.com)). Does not remove carbon monoxide or convert CO to CO<sup>2</sup>, or remove other toxic gases.
- ◆ Designed to flow at max of 15 scfm per drop.

### GENERAL PURPOSE FILTER

- ◆ Designed to remove particulate material to 5 micron from the airstream to protect downstream equipment. Superior removal of free water up to 98% efficiency

### COALESCING FILTER

- ◆ Designed to remove particulate material 99.98% of free oils and solid contaminants 0.3 microns and larger.
- ◆ Removal of effluents via float drains. Coalescent elements are absolute rated.
- ◆ Standard differential pressure gauge to indicate when filter element needs changing.

### ADSORBING FILTER

- ◆ Designed to remove oil vapor that cannot be removed by a coalescent filter. Also removes odors and tastes.
- ◆ Filter cartridge contains activated carbon.

**THIS UNIT DOES NOT REMOVE CARBON MONOXIDE OR CONVERT CO TO CO<sup>2</sup>, OR REMOVE OTHER TOXIC GASES.**

**⚠ DANGER**

**ENVIRONMENT MUST NOT CONTAIN COMBUSTABLE GAS OR VAPORS.**

AUTHORIZED DISTRIBUTOR



LINE [flutech.co.th](http://flutech.co.th)

☎ 0 2384 6060

🌐 [www.flutech.co.th](http://www.flutech.co.th)

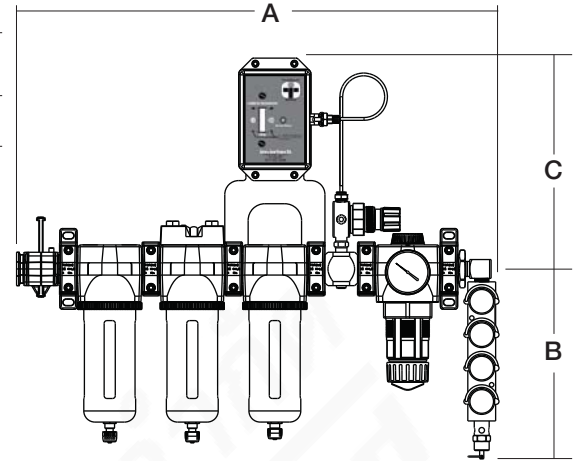
✉ [sales@flutech.co.th](mailto:sales@flutech.co.th)

## DIMENSIONS inches (mm)

Bowl	A	B	C	Depth	Weight lb (kg)
Standard	21.5 (547)	8.5 (217)	9.5 (241)	4.26 (108.3)	15.85 (7.19)

### CALIBRATION KIT - Required prior to operation:

Calibration Regulator for MMP CO Monitor ..... 118-137  
 Calibration Gas Kit..... 118-138  
 Bottles of 10PPM Carbon Monoxide, 1 bottle of Impurity  
 Free Air and CGA600 Connection.  
*(If Units are checked monthly, this kit should last for 2 years)*



Plastic Bowls

### REPLACEMENT ELEMENT KITS:

#### Filter Elements:

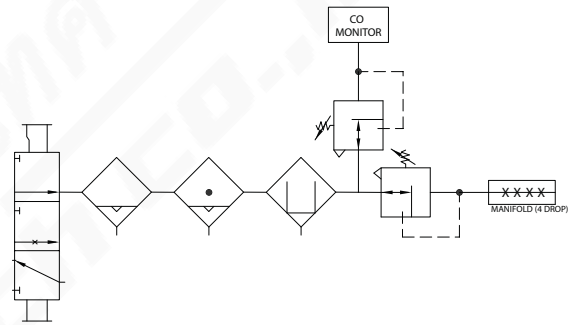
5- $\mu$ m Polyethylene ..... A115-106PE5

#### Coalescing Elements:

0.3  $\mu$ m Borosilicate glass ..... A115-117

#### Adsorbing Elements:

Activated carbon ..... A115-117E9



ISO Clean Air Package Symbol

### CONNECTORS and OPTIONAL MONITOR ACCESSORIES:

Coupler socket - 1/4" quick disconnect male, steel .....	118-131
Coupler plug - 1/4" x 1/4" NPTF industrial interchange male, steel .....	118-139
Remote horn, strobe and stand - 100 db @ 10 foot .....	118-140
25 foot cable for use with 118-140 remote horn, etc .....	118-141
50 foot cable for use with 118-140 remote horn, etc .....	118-142
Remote horn with 25 foot attached cable - 100 db @ 10 foot .....	118-146
Remote horn with 50 foot attached cable - 100 db @ 10 foot .....	118-147
Remote relay box (no horn, no cable) .....	118-143
Remote relay box with 25 foot cable (no horn) .....	118-149
Remote small horn (no cable) - 100 db @ 10 inches .....	118-148
25 foot cable for use with 118-148 remote small horn .....	118-144
50 foot cable for use with 118-148 remote small horn .....	118-145

AUTHORIZED DISTRIBUTOR

