

MECAIR



บริษัท ฟลูเทค จำกัด  
Flu-tech co.,ltd  
Authorized Distributor



8 & 10" TANKS WITH 2" VALVES

# HEADER TANK SOLUTIONS

# MECAIR – 8 & 10" TANKS WITH 2" VALVES

## HEADER TANK SOLUTIONS

PRODUCT LEAFLET

---

### CLEAN AIR SOLUTIONS BY PENTAIR GOYEN MECAIR

---

Pentair is the global leader in reliable components, from pulse jet valves and pulse cleaning controllers through to certified engineered header tank solutions with or without full immersion valves. Since 1935, through our globally recognized brands Goyen and Mecair, we have provided engineering partnerships to some of the world's leading dust collector manufacturers.

Our valves deliver the most powerful air pulse. These diaphragm valves are designed for baghouses in which reverse pulse jet systems clean the filters, including all bag filters, cartridge filters, envelope filters, ceramic filters and sintered metal fiber filters.

Their tough and reliable design has led to their use in high-performance systems around the world to control the dispersion of noxious substances, improve indoor air quality in workplaces, or prevent harmful dust emissions. Advanced technology makes them suitable for demanding industries and processes, including:

- cement production
- mining applications
- silo and conveyor systems, bulk goods handling
- general industrial dust collection
- improving indoor workplace air quality
- preventing harmful emissions
- in the power industry, protecting boilers and gas turbines from dust particles

With quality being one of core strengths we are accredited with CSA, UL, CE, ATEX and ISO 9001.

We support this process through our specialised software GOCO as part of our consultation and provide additional performance testing and modelling using computational fluid dynamics to ensure we:

- eliminate risk in your systems
- minimise your operating costs
- increase your filter life

Goyen and Mecair's advanced application expertise, along with our wide product range and global reach, has allowed us to maintain our valuable long-term customer partnerships based on innovation, experience and engineering trust.

# MECAIR – 8 & 10" TANKS WITH 2" VALVES

## HEADER TANK SOLUTIONS

### PRODUCT LEAFLET

The 2" port Mecair Full Immersion 516G and 586G Series technologies are high-performance filter cleaning systems delivering high filter cleaning flow rates and precise control of air consumption through the use of a super-responsive diaphragm assembly. These systems are widely implemented throughout industrial air filtration applications as well as for self-cleaning gas turbine intake filter systems. The Full Immersion is available with stainless steel or carbon steel tanks, in a variety of surface treatments, to meet PED or ASME certifications as required.

### 516G & 586G VALVE CERTIFICATIONS

- CRN Ontario 0C229335

### BENEFITS

- Exceptional service life
- Suitable for bag, cartridge and envelope filters
- Available with remote pilot or integral pilot arrangements
- High-quality precision seal and premium fabric-reinforced Nitrile diaphragm
- Proven longevity under typical operating conditions

### TANK CERTIFICATIONS AVAILABLE

- PED 2014/68/EU
- TR CU 032/2013 & TR CU 010/2011
- SELO Certification
- ASME U & UM Stamp + NB
- CRN for all provinces
- AS/NS1200 standard for Design Verification and Registration
- RINA Naval Certification
- DNV Naval Ship Rules Certification
- NR-13
- SI 4295
- SANS 347
- TISI
- MOM

Note: Other tank certifications maybe available upon request



### CODES & TECHNICAL CHARACTERISTICS

#### S8C86G0N04P180M5

#### Tank size

- S8** 8" tanks
- S10** 10" tanks

#### Tank configuration

- C** Full immersion tank

#### Valve size and tank

- 16** 2.0" dual-stage valve, 10" tank
- 86** 2.0" dual-stage valve, 8" tank

#### Valve type

- G** FIG valve

#### Diaphragm material

- 0** Nitrile (-40°C; +70°C)
- 1** Viton(-29°C; +232°C)
- 4** Low temperature, Nitrile membrane, Polyethylene seat, Low temp: -60°C to +82°C

#### Voltage options (Only if integrally piloted)

- 3** Dual rating: 110 V DC  
220/240 V 50/60 Hz
- 4** Dual rating: 48 V DC  
115 V 50/60 Hz
- 5** Dual rating: 24 V DC  
48 V 50/60 Hz
- 6** Dual rating: 12 V DC  
24 V 50/60 Hz

#### Solenoid (Only if integrally piloted)

- M** SB4 Series

#### Pitch (mm)

- 173** Minimum for 8" Carbon Steel Tank
- 185** Minimum for 8" Stainless Steel Tank
- 180** Minimum for 10" Carbon Steel Tank
- 188** Minimum for 10" Stainless Steel Tank

#### # valves

- N01, N02, etc.**

Note: When specifying the system, check temperature and pressure limits for tank, diaphragm and solenoids. Different temperature ranges maybe available, please consult your options with Pentair.

# MECAIR – 8 & 10" TANKS WITH 2" VALVES

## HEADER TANK SOLUTIONS

PRODUCT LEAFLET

### DIAPHRAGM KIT NUMBERS

#### 516G & 586G KIT

Nitrile: KD516G0  
Viton: KD516G1

### CONSTRUCTION FEATURES – VALVE

TOP COVER	Diecast aluminium (E-coat black)
BODY	Diecast aluminium (E-coat black)
PILOT BASE	Aluminium (anodised)
PILOT	Stainless steel
DIAPHRAGM	Refer to options in part number code
DIAPHRAGM SEAT	Nylon (standard)
BOLTS	Stainless steel
DIAPHRAGM BACKING DISK	Stainless steel
DIAPHRAGM SPRING	Stainless steel

### TANK CHARACTERISTICS

CARBON STEEL	-20°C to 110°C
STAINLESS STEEL	-196°C to 93°C
PRESSURE RANGE	1 bar to 8.0 bar
CARBON STEEL – LOW TEMPERATURE	-40°C to 110°C

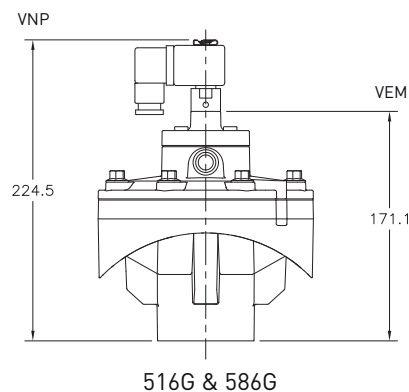
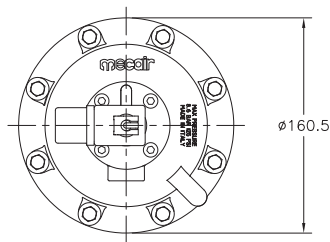
When specifying the system, check temperature and pressure limits for tank, diaphragm and solenoids.

Different temperature ranges may be available; please consult your options with Mecair.

### ELECTRICAL CHARACTERISTICS – SOLENOID

DIN SOCKET CONNECTOR	PG9 connection
DIN SOCKET SPECIFICATION	EN175301 - 803 / A/ISO 4400
DIN SOCKET OPTIONAL	2014/34/EU ATEX II 3GD T6
ISOLATION CLASS DIN SOCKET	VDE 0110 - 1/89
ELECTRICAL PROTECTION	IP65 EN60529
VOLTAGE RANGE	12 V DC 18 W 24 V DC 18 W 48 V DC 18 W 110 V DC 18 W 24 V 50/60 Hz 38/31 VA 48 V 50/60 Hz 41/32 VA 110/127 V 50/60 Hz 63/53 VA 220/240 V 50/60 Hz 46/37 VA

MODEL	PORT SIZE	NO. DIAPH.	PRESSURE RANGE (BAR)		COIL	KV	CV
			MIN.	MAX.			
VEM516G	2"	2	1	8.6	No	76	88
VEM586G	2"	2	1	8.6	No	76	88
VNP516G	2"	2	1	8.6	Yes	76	88
VNP586G	2"	2	1	8.6	Yes	76	88

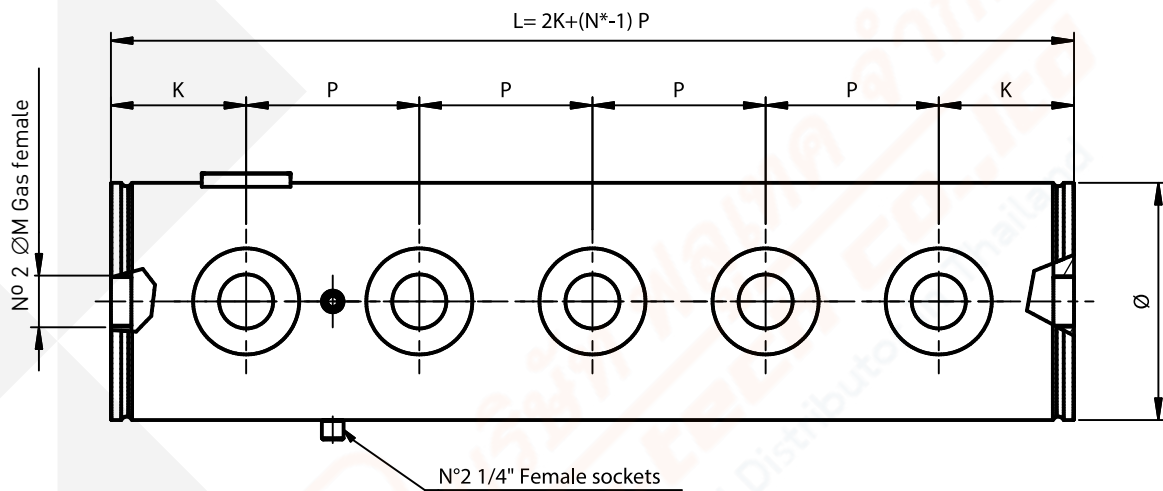


# MECAIR – 8 & 10" TANKS WITH 2" VALVES

## HEADER TANK SOLUTIONS

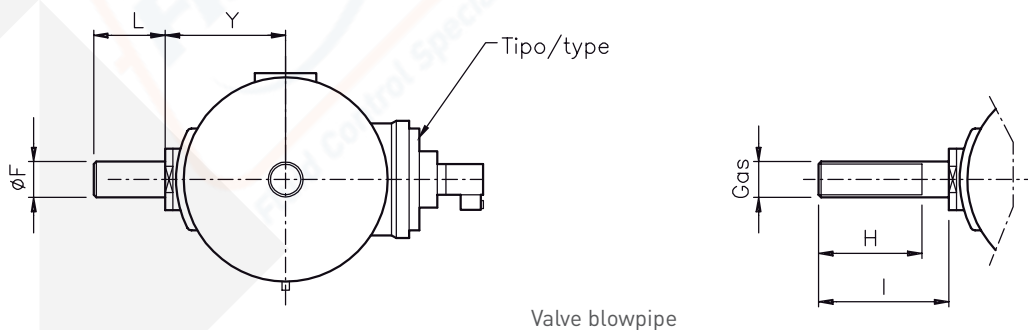
PRODUCT LEAFLET

### TANK DIMENSIONS TABLE



TANK MATERIAL	Ø TANK	Ø VALVE	P MIN.	K MIN.	Ø M	TO BE COMPLETED BY CUSTOMER		
						P DISTANCE REQUIRED	N NUMBER OF VALVES	K OPTIONAL
Carbon Steel	DN8"	2"	173	100	Up to 2"			
	DN10"	2"	180	108	Up to 2"			
Stainless Steel	DN8"	2"	185	108	Up to 3"			
	DN10"	2"	188	103	Up to 3"			

\*Only available with flat end caps and max. length size 4.6 metres. For lengths superior to those specified, please contact our technical department.



Ø TANK	Ø F	Y	SHORT UNTHREADED	L	LONG UNTHREADED	L	LONG THREADED	Ø G GAS	H	I
DN8"	60.3	133	TS586	60	TL586	120	TF586	2"	110	120
DN10"	60.3	158	TS516	60	TL516	140	TF516	2"	130	140

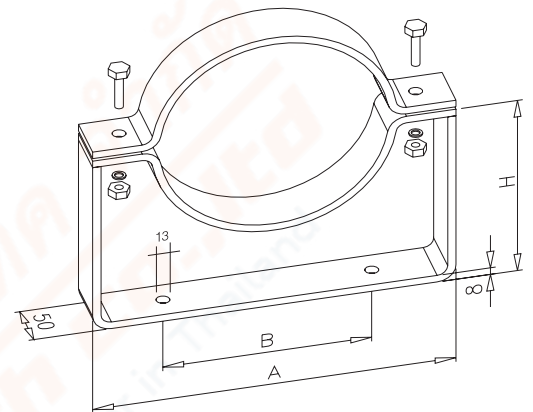
# MECAIR – 8 & 10" TANKS WITH 2" VALVES

## HEADER TANK SOLUTIONS

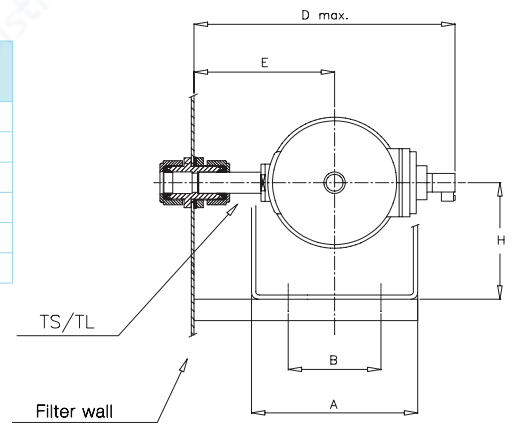
PRODUCT LEAFLET

### BRACKET AND OUTLET PIPES CONFIGURATIONS

DN TANK	TYPE OF BRACKET	A	B	H
8"	TH08	348	200	270
	TM08	348	200	210
	TB08	348	200	134
10"	TH10	424	250	290
	TB10	424	250	161



DN TANK	TYPE OF BRACKET	VALVE BLOWPIPE	E	D MAX.	VALVE BLOWPIPE	E	D MAX.
8"	TH08	TS586	210	460	TL586	270	520
	TM08	TS586	210	460	TL586	270	520
	TB08	TS586	210	460	TL586	270	520
10"	TH10	TS516	240	520	TL516	320	600
	TM10	TS516	240	520	TL516	320	600
	TB10	TS516	240	520	TL516	320	600



DN TANK	TYPE OF BRACKET	D MAX.	VALVE BLOWPIPE	Ø
8"	TH08	520	TL586	2"
	TM08	460	TS586	2"
10"	TH10	570	TL516	2"

