

GOYEN - CP SERIES - CLOSE PITCHED VALVE MANIFOLD SYSTEM

PRODUCT LEAFLET



CP Series

MANIFOLD CONSTRUCTION CHARACTERISTICS

MANIFOLD DIAMETER	12" nominal (DN 12")
MANIFOLD ENDS TYPE	Flat
CONSTRUCTION MATERIALS	Carbon steel or stainless steel (304 and 316L)
CONSTRUCTION COMPLIANCE/ CERTIFICATIONS AVAILABLE	- 97/23/EC (PED) - ASME VIII Div 1 (U & UM Stamp)
MINIMUM SPACING BETWEEN PULSE PIPE OUTLETS	175 mm 6.89"
PULSE PIPE SIZE	3" Schedule 40
PULSE PIPE END TYPE	Plain (Ø 88.9 mm OD)
TANK-TO-TANK CONNECTION FITTING SIZE	2" Gas (BSPP) female

DESCRIPTION

12" diameter filter cleaning system manifold complete with 3" port CPV valves. Used in the reverse pulse cleaning of particulate filter elements. Suited to very narrow filter arrangements.

FEATURES

- ASME or PED compliance
- Carbon or stainless steel
- Minimum valve-to-valve spacing of 175 mm (6.89")
- Manifold pressure range from 1.0 to 8.0 bar (14.5 to 116 psi)
- Very high flow rates
- Rapid open and closing response rates

Please refer to Close Pitched Valve specification for valve performance and technical details.

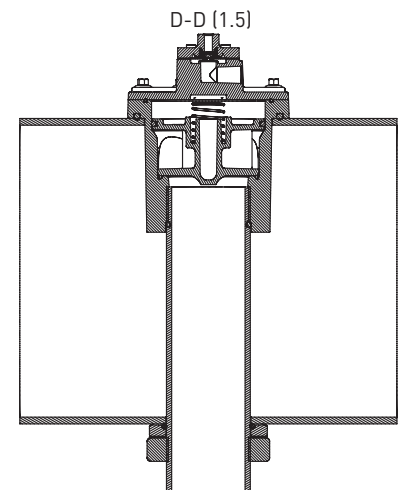
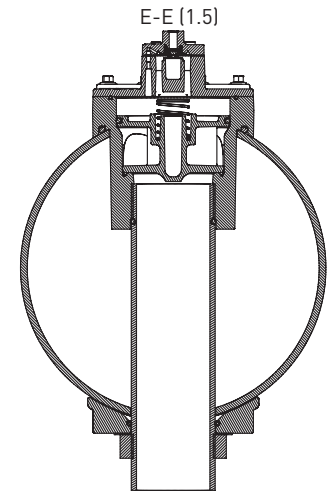
MANIFOLD TEMPERATURE RATINGS

CARBON STEEL CONSTRUCTION	-40°C to 100°C -40°F to 230°F
STAINLESS STEEL CONSTRUCTION	-50°C to 93°C -58°F to 199°F
VALVE OPERATING TEMPERATURE RANGE	-30°C to 100°C -22°F to 212°F
MANIFOLD PRESSURE LIMITS	1.0 to 8.0 bar 14.5 to 116 psi

STANDARD FINISHES

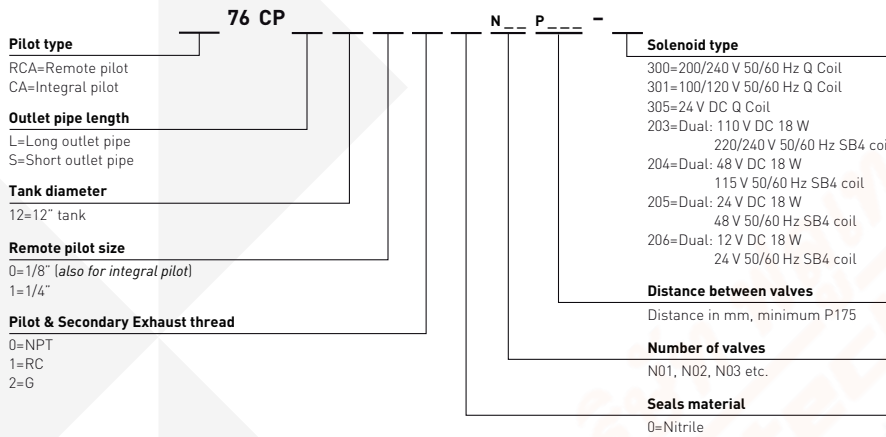
Carbon steel tanks: Abrasive cleaning, degreasing, undercoat (anti-rust) RAL7042 (25 µm), top coat (polyurethane) RAL5012 (25 µm minimum), total thickness 50 µm (-10% + 40%).

Other finishes, including e-coat/cataphoresis, available on request.

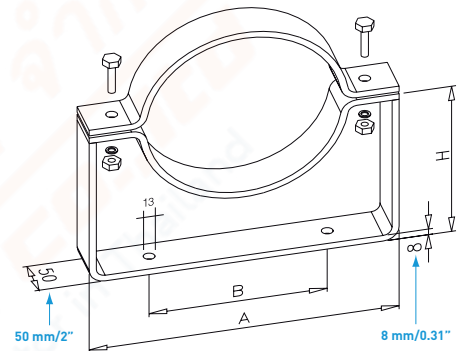


GOYEN - CP SERIES - CLOSE PITCHED VALVE MANIFOLD SYSTEM

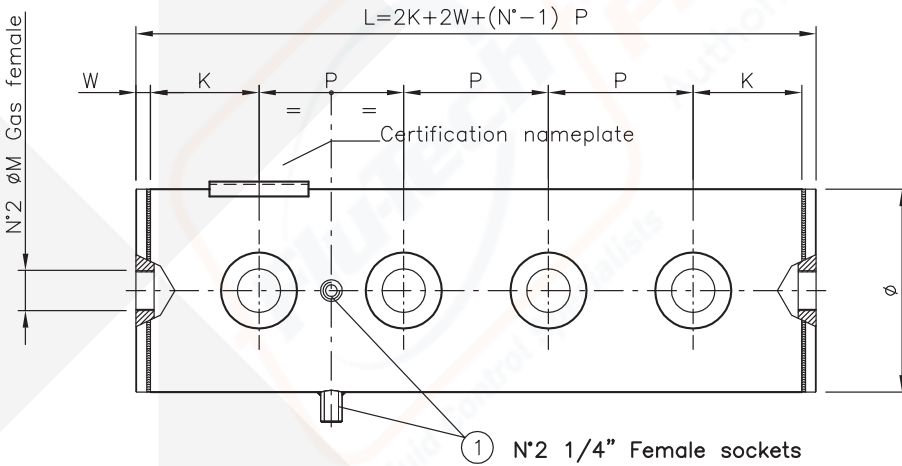
ORDER CODE - CLOSE PITCHED VALVE MANIFOLD SYSTEM



MANIFOLD BRACKETS



MANIFOLD DIMENSIONS



P MIN.	K MIN.	W	ØM
175 mm [6.89"]	100 mm [3.94"]	20 mm [0.79"]	2"

BRACKET DIMENSIONS

MODEL	A	B	H
TH12	490 mm [19"]	300 mm [12"]	340 mm [13"]
TM12	490 mm [19"]	300 mm [12"]	288 mm [11"]
TB12	490 mm [19"]	300 mm [12"]	234 mm [9.2"]



บริษัท ฟลูเทค จำกัด
FLU-TECH CO.,LTD

845/3-4 หมู่ 3 ถ.เทพารักษ์ ต.เทพารักษ์ อ.เมือง จ.สมุทรปราการ 10270
845/3-4, Mhoo 3, Theparak Rd., T. Theparak, A. Muang, Samut Prakan, 10270, Thailand
Tel. 02 384 6060, Fax. 02 384 5701 Email sales@flutech.co.th , www.flutech.co.th