





Cable plug DIN EN 175301-803 - form C

- Protected according to degree of protection IP 65
- With approvals: UR, CSA, VDE
- Easy to install
- Also available with moulded-on cable connection



Product variants described in the data sheet may differ from the product presentation and description.

Can be combined with

	Type 7011 Direct-acting 2/2-way plunger valve	▶
	Type 7012 Direct-acting 3/2-way plunger valve	▶

Type description

Plug-in connection for the connection of electrical components according to DIN EN 175301 - 803 Form C (previously DIN 43650).

Table of contents

1. General technical data	3
2. Dimensions	3
2.1. Cable plug without cable	3
2.2. Cable plug with cable	4
3. Device/Process connections	4
3.1. Connection details	4
4. Product design and assembly	5
4.1. Product assembly without cable	5
4.2. Product assembly with cable	5
5. Ordering information	6
5.1. Bürkert eShop – Easy ordering and quick delivery	6
5.2. Bürkert product filter	6
5.3. Ordering chart	6

1. General technical data

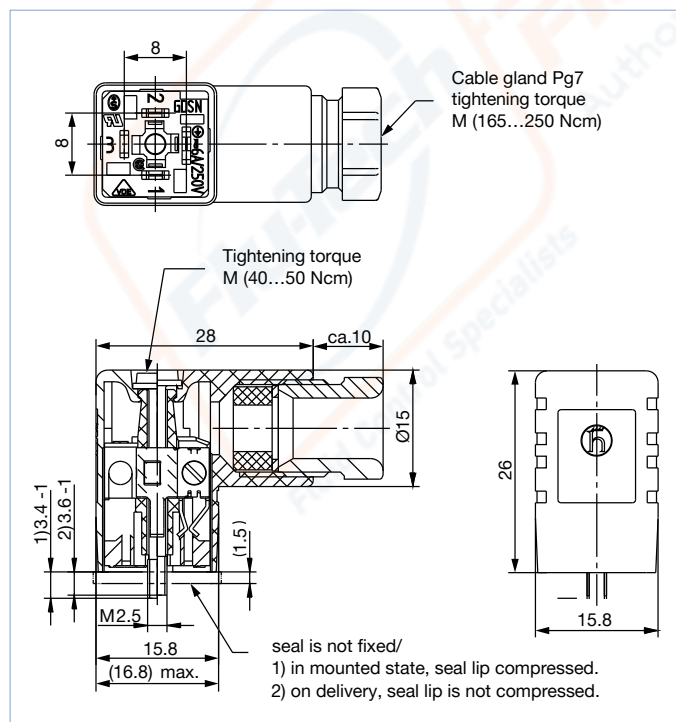
Product properties	
Dimensions	Detailed information can be found in chapter "2. Dimensions" on page 3.
Material	
Housing	Polyamide
Contact	Brass
Operating display	LED, colour yellow
Cable diameter	4.5...6 mm
Number of poles	2 pins + protective conductor
Degree of protection	IP65
Performance data	
Maximum continuous current	
without wiring	6 A
with wiring	1 A or 3 A (see "5.3. Ordering chart" on page 6)
Electrical data	
Nominal voltage	0...250 V (depending on the corresponding version)
Contact resistance	≤ 10 mΩ
Process/Port connection & communication	
Electrical connection	Screw-type terminals
Environment and installation	
Temperature range	
Plug	-40 °C...+125 °C
Seal	-25 °C...+90 °C

2. Dimensions

2.1. Cable plug without cable

Note:

Device plugs with moulded cable do not require an additional flat seal. The seal is moulded onto the cable head.



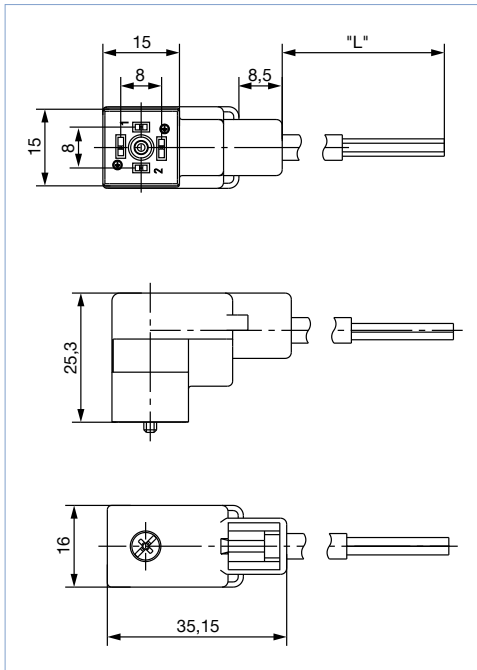
Visit product website ►

3 | 7

2.2. Cable plug with cable

Note:

The standard cable length (L) is 3 m. 5 m and 10 m also available on request.



3. Device/Process connections

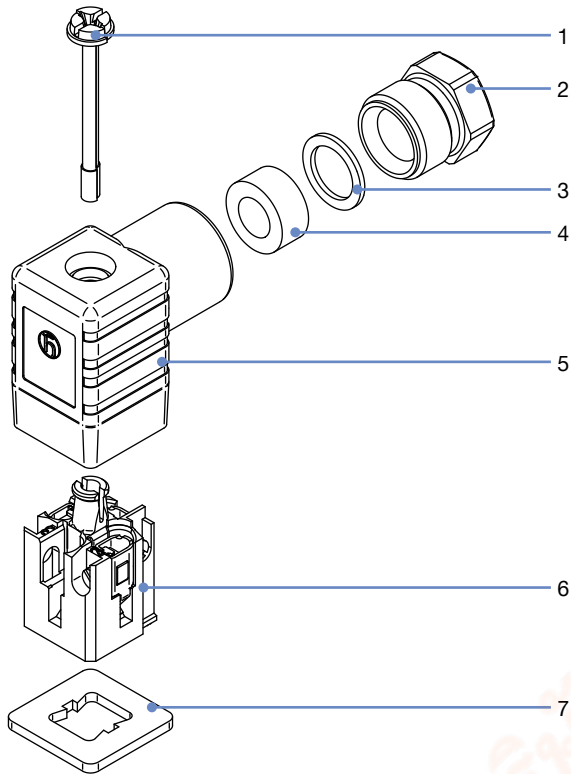
3.1. Connection details

Wiring	
<p>Without wiring</p>	<p>With LED</p>
<p>With rectifier, varistor and LED</p>	<p>With LED and varistor</p>

Visit product website ▶

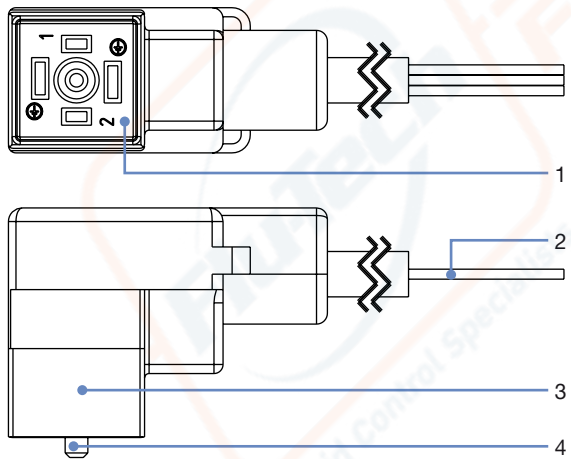
4. Product design and assembly

4.1. Product assembly without cable



No.	Element
1	M2.5 screw
2	Pressure screw
3	Thrust collar
4	Seal
5	Housing
6	Contact insert
7	Flat seal NBR

4.2. Product assembly with cable



No.	Element
1	Contact insert
2	Cable
3	Housing
4	M2.5 screw

5. Ordering information

5.1. Bürkert eShop – Easy ordering and quick delivery



Bürkert eShop – Easy ordering and fast delivery

You want to find your desired Bürkert product or spare part quickly and order directly? Our online shop is available for you 24/7. Sign up and enjoy all the benefits.

[Order online now](#)

5.2. Bürkert product filter



Bürkert product filter – Get quickly to the right product

You want to select products comfortably based on your technical requirements? Use the Bürkert product filter and find suitable articles for your application quickly and easily.

[Try out our product filter](#)

5.3. Ordering chart

Note:

Delivery of cable plug includes a flat seal and a fixing screw.

Voltage	Continuous current	Article no. without cable	Article no. with 2 m cable	Article no. with 3 m cable
Without wiring				
0...250 V AC/DC	Max. 6 A	303141 ^{1.)}	303161	–
With LED				
12...24 V AC/DC	Max. 3 A	303145	303162	–
100...120 V AC/DC	Max. 3 A	303146	–	–
With rectifier, varistor and LED				
12...24 V AC/DC	Max. 1 A	–	–	303142
100...120 V AC/DC	Max. 1 A	–	–	303143
200...240 V AC/DC	Max. 1 A	–	–	303144
With LED and varistor				
12...24 V AC/DC	Max. 3 A	303148	–	–
100...120 V AC/DC	Max. 3 A	303149	–	–

1.) UL approval E95522 Vol. 1 Sec. 3, CSA approval 2372911

[Visit product website](#) ▶

6 | 7