



### Cable plug - industry standard plug Form B

- Degree of protection IP65
- Numerous variants



Product variants described in the data sheet may differ from the product presentation and description.

#### Type description

Plug connection for connecting electrical components according to industry standard Form B.

## Table of contents

<b>1. General Technical Data</b>	<b>3</b>
<b>2. Dimensions</b>	<b>3</b>
<b>3. Product design and assembly</b>	<b>4</b>
3.1. Product assembly .....	4
<b>4. Ordering information</b>	<b>4</b>
4.1. Bürkert eShop – Easy ordering and quick delivery.....	4
4.2. Bürkert product filter.....	4
4.3. Ordering chart.....	5

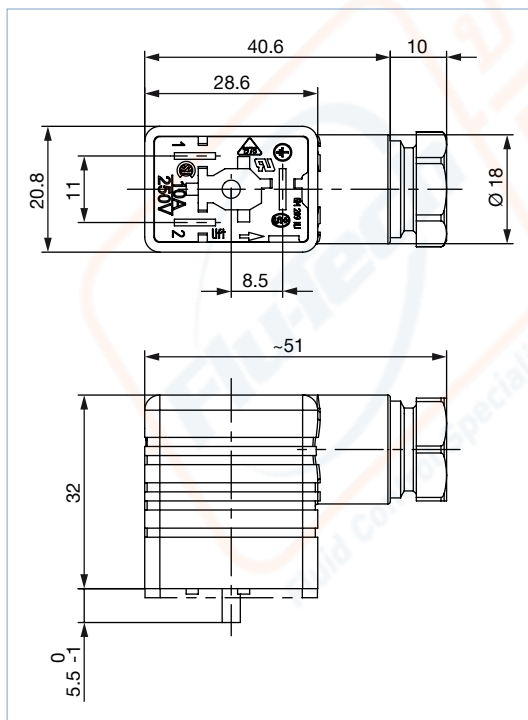
## 1. General Technical Data

Product properties	
Dimensions	Detailed information can be found in chapter "2. Dimensions" on page 3.
Material	
Body	Polyamide (without LED; black, with LED; transparent)
Contact	Brass, galvanised silver-plated
Flat seal	NBR
Cable diameter	4.5...7 mm
Cable outlet	Straight
Functional display	LED (red)
Cable glands	PG9
Performance data	
Temperature range	-40 °C...+90 °C
Electrical data	
Nominal voltage	0...250 V
Contact resistance	≤ 4 mΩ
Number of terminals	2 pins + protective earth
Process/Port connection & communication	
Electrical connection	Terminal screws (max. 0.75 mm <sup>2</sup> with circuitry, max. 1.5 mm <sup>2</sup> without circuitry)
Environment and installation	
Degree of protection	IP65

## 2. Dimensions

### Note:

Dimensions in mm



### 3. Product design and assembly

#### 3.1. Product assembly


**Note:**

The cable plug can be installed in a 180° rotation.

Assembly	Description
<p>Pressure screw</p> <p>Seal ring</p> <p>Pressure ring</p> <p>Body</p> <p>Contact insert</p> <p>Flat seal</p> <p>Tallow-drop screw M3 x 35</p>	<ul style="list-style-type: none"> <li>• Remove contact insert</li> <li>• Insert cable through pressure screw</li> <li>• Wire cable according to connection plan</li> <li>• Snap in contact insert</li> <li>• Screw-on union nut</li> <li>• Push gasket on tag connectors</li> <li>• Push cable plug firmly onto tags</li> <li>• Secure with tallow-drop screw M3 x 35</li> </ul>

### 4. Ordering information

#### 4.1. Bürkert eShop – Easy ordering and quick delivery




**Bürkert eShop – Easy ordering and fast delivery**

You want to find your desired Bürkert product or spare part quickly and order directly? Our online shop is available for you 24/7. Sign up and enjoy all the benefits.

[Order online now](#)

#### 4.2. Bürkert product filter



**Bürkert product filter – Get quickly to the right product**

You want to select products comfortably based on your technical requirements? Use the Bürkert product filter and find suitable articles for your application quickly and easily.

[Try out our product filter](#)

### 4.3. Ordering chart

**Note:**

The delivery of a cable plug includes the flat seal and the fixing screw (thick-film passivated).

Circuit diagram	Voltage	Current rating	Article no. without cable
<b>Without circuitry</b> 	0...250 V AC/DC	Max. 6 A	423845 <sup>1.)</sup>
<b>With LED</b> 	24 V AC/DC	Max. 6 A	423849
	250 V AC/DC	Max. 6 A	423850
<b>With LED and freewheeling diode</b> 	24 V DC	Max. 1.5 A	423851

1.) The article number 423845 has UR approval.

DTS 1000010986 EN Version: K Status: RL (released | freigegeben | valide) printed: 26.03.2021