



Direct-acting 2/2 way lifting armature valve

- Push-over solenoid system
- NC valves, certified in accordance with DIN EN ISO 23553 - 1
- Return valve for liquid fuels
- IP65

Product variants described in the data sheet may differ from the product presentation and description.

Can be combined with



Type 2518 ▶
Cable Plug
DIN EN 175301 - 803 -
Form A

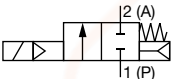
Table of contents

| | |
|---|----------|
| 1. General technical data | 3 |
| 2. Circuit functions | 3 |
| 3. Materials | 4 |
| 3.1. Chemical Resistance Chart – Bürkert resistApp..... | 4 |
| 3.2. Material specifications | 4 |
| DN 20 version | 4 |
| 4. Dimensions | 5 |
| 4.1. DN 20 version | 5 |
| 5. Ordering information | 5 |
| 5.1. Bürkert eShop – Easy ordering and quick delivery..... | 5 |
| 5.2. Bürkert product filter | 6 |
| 5.3. Ordering chart..... | 6 |
| Feed line valve/return line valve combinations | 6 |
| 5.4. Ordering chart accessories..... | 7 |
| Cable plug Type 2518, Form A according to DIN EN 175301-803 | 7 |

1. General technical data

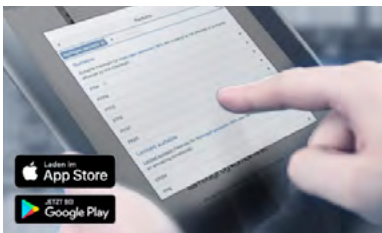
| Product properties | |
|---|---|
| Dimensions | Detailed information can be found in chapter "4. Dimensions" on page 5. |
| Material | |
| Seal | Seat: PTFE Housing: FKM |
| Body | Stainless steel |
| Coil | Epoxy |
| Nominal diameter | DN 20 |
| Circuit function | Detailed information can be found in chapter "2. Circuit functions" on page 3. |
| Thermal insulation class of solenoid | H |
| Electrical data | |
| Operating voltage | 110 V/50 Hz, 230 V/50 Hz others on request |
| Duty cycle | Continuous operation 100 % ED |
| Medium data | |
| Medium temperature | 0 °C...160 °C |
| Operating medium | Heating oil (EL, L, M, S) acc. to DIN 51603 part 1-6 Shipping fuels acc. to ISO 8217 Only with stainless steel body: Fatty acid methyl esters (FAME) acc. to DIN EN 14213 Rapeseed oil acc. to DIN V 51605 |
| Viscosity (max.) | 1.6...76 mm ² /s |
| Process/Port connection & communication | |
| Port connection | G 3/4 |
| Electrical connection | Acc. to DIN EN 175301 -803 Form A |
| Approvals and certificates | |
| Degree of protection | IP65 |
| DIN CERTCO registration (DN 20) | Reg. No.: 5S255 |
| Environment and installation | |
| Installation position | Any, preferably actuator face up |
| Ambient temperature | -15 °C...+60 °C |

2. Circuit functions

| Circuit functions | Description |
|---|--|
|  | Type: A, solenoid valve 2/2 way Servo-controlled Normally closed |

3. Materials

3.1. Chemical Resistance Chart – Bürkert resistApp



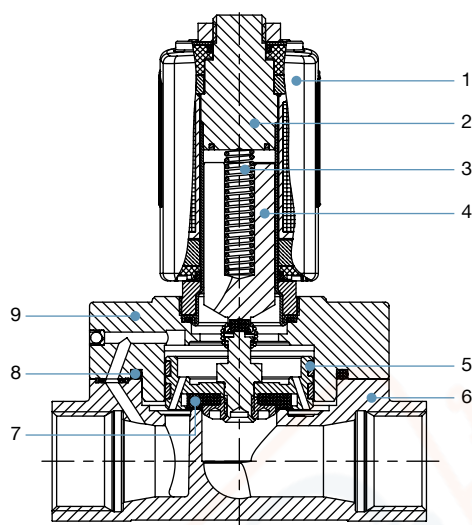
Bürkert resistApp – Chemical Resistance Chart

You want to ensure the reliability and durability of the materials in your individual application case? Verify your combination of media and materials on our website or in our resistApp.

[Start Chemical Resistance Check](#)

3.2. Material specifications

DN 20 version



| No. | Element | Material |
|-----|-------------|------------------------|
| 1 | Coil | Epoxy |
| 2 | Stopper | 1.4113 |
| 3 | Spring | 1.4310 |
| 4 | Core | 1.4113 |
| 5 | Piston seal | PTFE/graphite |
| 6 | Valve body | Stainless steel 1.4581 |
| 7 | Seal | PTFE |
| 8 | Seal ring | FKM |
| 9 | Cover | Stainless steel 1.4581 |

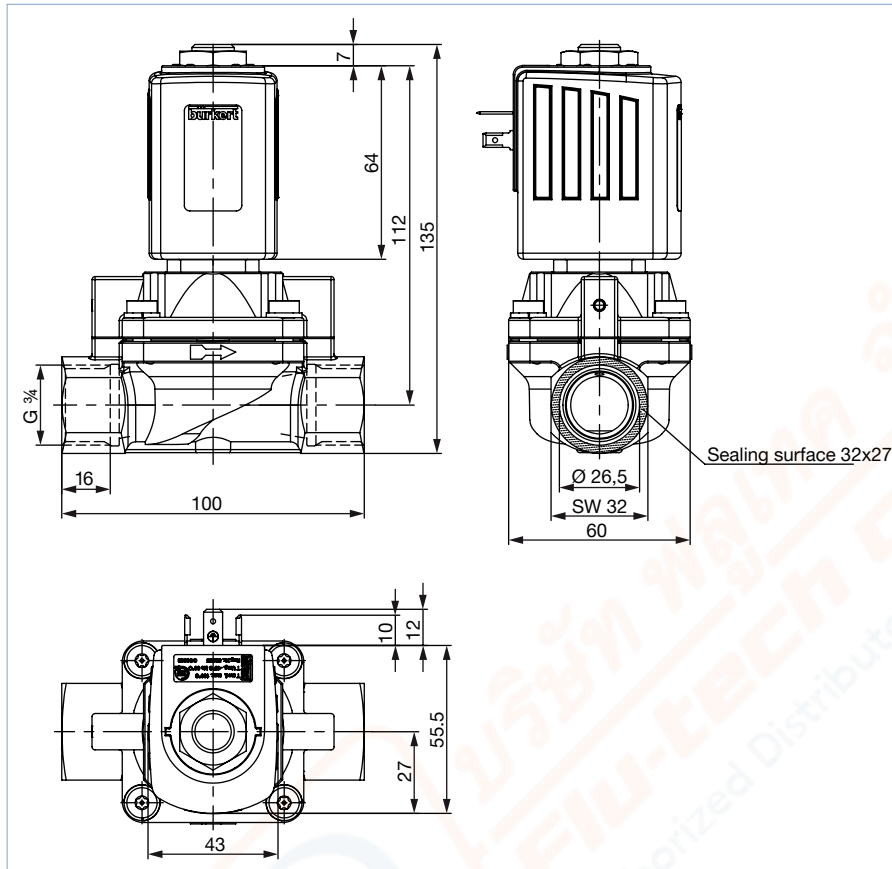
DTS 1000158193 EN Version: D Status: RL (released | freigegeben | validé) printed: 26.11.2020

4. Dimensions

4.1. DN 20 version

Note:

Dimensions in mm



5. Ordering information

5.1. Bürkert eShop – Easy ordering and quick delivery




Bürkert eShop – Easy ordering and fast delivery

You want to find your desired Bürkert product or spare part quickly and order directly? Our online shop is available for you 24/7. Sign up and enjoy all the benefits.

[Order online now](#)

5.2. Bürkert product filter



Bürkert product filter – Get quickly to the right product

You want to select products comfortably based on your technical requirements? Use the Bürkert product filter and find suitable articles for your application quickly and easily.

Try out our product filter

5.3. Ordering chart

Feed line valve/return line valve combinations

If the oil burner is designed with a return nozzle and without a nozzle shut-off valve (see DIN EN 267), the feed line and return line valves with safety shut-off function are required. The following combinations are possible:

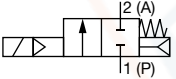
| Feed line valve | | | | Return line valve | | | |
|---------------------|--------------|-----------------------|-----------------------------------|---------------------|--------------|-----------------------|-----------------------------------|
| Type | Orifice [mm] | Housing material | K _v value water [m³/h] | Type | Orifice [mm] | Housing material | K _v value water [m³/h] |
| 6027 | 3 | Brass/stainless steel | 0.22 | 6027 | 3 | Brass/stainless steel | 0.18 |
| 6027 | 3.5 | Brass/stainless steel | 0.38 | 6027 | 3.5 | Brass/stainless steel | 0.35 |
| 5406 ^{1.)} | 13 | Brass | 3.5 | 6027 | 10 | Brass | 1.8 |
| 5406 ^{1.)} | 20 | Stainless steel | 6.3 | 5407 ^{2.)} | 20 | Stainless steel | 4.7 |

1.) See data sheet **Type 6027** ▶ solenoid valve safety shut off valve for oil burner

2.) See data sheet **Type 5406** ▶ solenoid valve safety shut off valve for oil burner

Note:

Further versions with alternative voltages, frequencies and thread connections on request.

| Circuit function | Port connection | Orifice [mm] | K _v value water [m³/h] | Applications | Body material | Max. medium pressure (Oil) | | Electrical power | | Article no. acc. to voltage/frequency [V/Hz] | |
|---|-----------------|--------------|-----------------------------------|--------------|-----------------|----------------------------|--|------------------|--------|--|--------------|
| | | | | | | AC | | Operation | Inrush | 110...120/50 | 220...240/50 |
| | | | | | | [bar] | | [W] | [VA] | | |
| G-inner thread, seal material PTFE/FKM | | | | | | | | | | | |
| DIN EN ISO 23553-1 Safety isolating equipment for liquid fuels PF15 | | | | | | | | | | | |
| A, solenoid valve 2/2 way Servo-controlled Normally closed  | G 3/4 | 20.0 | 4.7 | Return line | Stainless steel | 30 | | 20 | 180 | 246108 X | 239737 X |


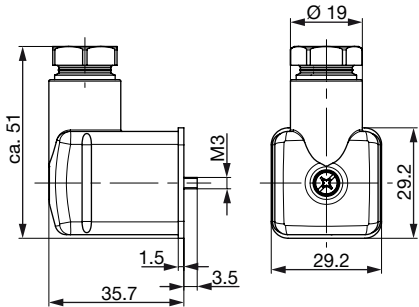

X: on request

5.4. Ordering chart accessories

Cable plug Type 2518, Form A according to DIN EN 175301 - 803

Note:

Further versions see data sheet **Type 2518** ▶.

| Cable plug | Dimensions | Version | Voltage | Article no. |
|---|---|--|-----------------|--|
|  |  | Without circuitry (AC/DC) with silicone seal | 0...250 V AC/DC | 361687  |

DTS 1000158193 EN Version: D Status: RL (released | freigegeben | valide) printed: 26.11.2020