



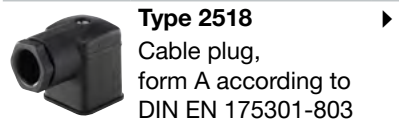
Piston valve 2/2 way servo-assisted

- Push-over solenoid system
- NC valves, certified in accordance with DIN EN ISO 23553 - 1
- Supply or circulation valve for liquid fuels
- IP65



Product variants described in the data sheet may differ from the product presentation and description.

Can be combined with



Type 2518 ▶
Cable plug,
form A according to
DIN EN 175301-803

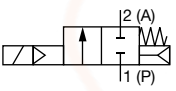
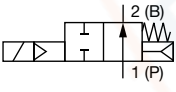
Table of contents

1. General technical data	3
2. Circuit functions	3
3. Materials	4
3.1. Chemical Resistance Chart – Bürkert resistApp.....	4
3.2. Material specifications	4
Standard version DN 13 and DN 20	4
4. Dimensions	5
4.1. Standard version DN 13 and DN 20	5
5. Ordering information	5
5.1. Bürkert eShop – Easy ordering and quick delivery.....	5
5.2. Bürkert product filter.....	6
5.3. Ordering chart.....	6
Feed line/return line valve combinations	6
5.4. Ordering chart accessories.....	7
Cable plug Type 2518, form A according to DIN EN 175301 - 803.....	7

1. General technical data

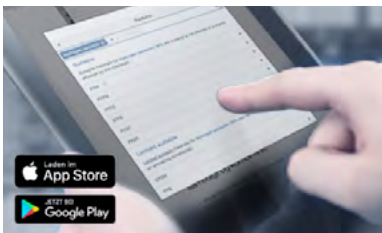
Product properties	
Dimensions	Detailed information can be found in chapter "4. Dimensions" on page 5.
Material	
Seal	Seat: PTFE Housing: FKM
Body	Brass, stainless steel
Coil	Epoxy
Orifice	DN 13, DN 20
Circuit function	Detailed information can be found in chapter "2. Circuit functions" on page 3.
Thermal insulation class of solenoid	H
Performance data	
Duty cycle	Continuous operation 100 % ED
Electrical data	
Operating voltage	110 V/50 Hz, 230 V/50 Hz, others on request
Medium data	
Operating medium	Heating oil (EL, L, M, S) acc. to DIN 51603 part 1-6 Shipping fuels acc. to ISO 8217 Only with stainless steel body: Fatty acid methyl esters (FAME) acc. to DIN EN 14213 Rapeseed oil acc. to DIN V 51605
Medium temperature	0 °C...160 °C
Viscosity (max.)	1.6...76 mm ² /s
Process/Port connection & communication	
Electrical connection	Acc. to DIN EN 175301-803 form A
Port connection	G 3/8, G 1/2, G 3/4
Approvals and certificates	
DIN CERTCO registration (NC valves, DN 6, DN 13, DN 20)	Reg. No.: 5S255
Degree of protection	IP65
Environment and installation	
Installation position	Any, preferably actuator face up
Ambient temperature	-15 °C...+60 °C

2. Circuit functions

Circuit functions	Description
	Type: A, solenoid valve 2/2 way Servo-controlled Normally closed
	Type: B, solenoid valve 2/2 way Servo-controlled Normally opened

3. Materials

3.1. Chemical Resistance Chart – Bürkert resistApp



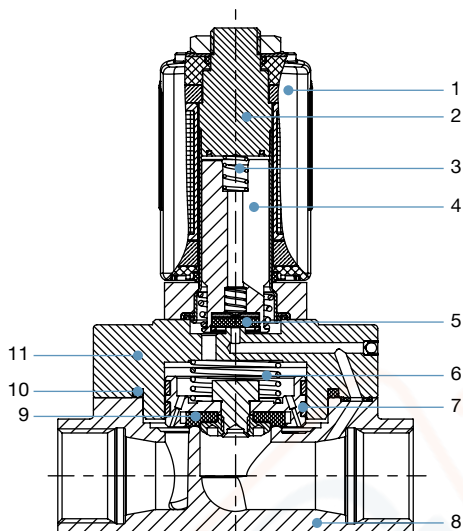
Bürkert resistApp – Chemical Resistance Chart

You want to ensure the reliability and durability of the materials in your individual application case? Verify your combination of media and materials on our website or in our resistApp.

[Start Chemical Resistance Check](#)

3.2. Material specifications

Standard version DN 13 and DN 20



No.	Element	Material
1	Coil	Epoxy
2	Stopper	1.4113
3	Spring	1.4310
4	Plunger	1.4105
5	Seat seal	PTFE
6	Spring	1.4310
7	Piston seal	PTFE/graphite
8	Valve body	DN 13 brass DN 20 stainless steel 1.4581
9	Seat sealing	PTFE
10	Seal ring	FKM
11	Cover	DN 13 brass DN 20 stainless steel 1.4581

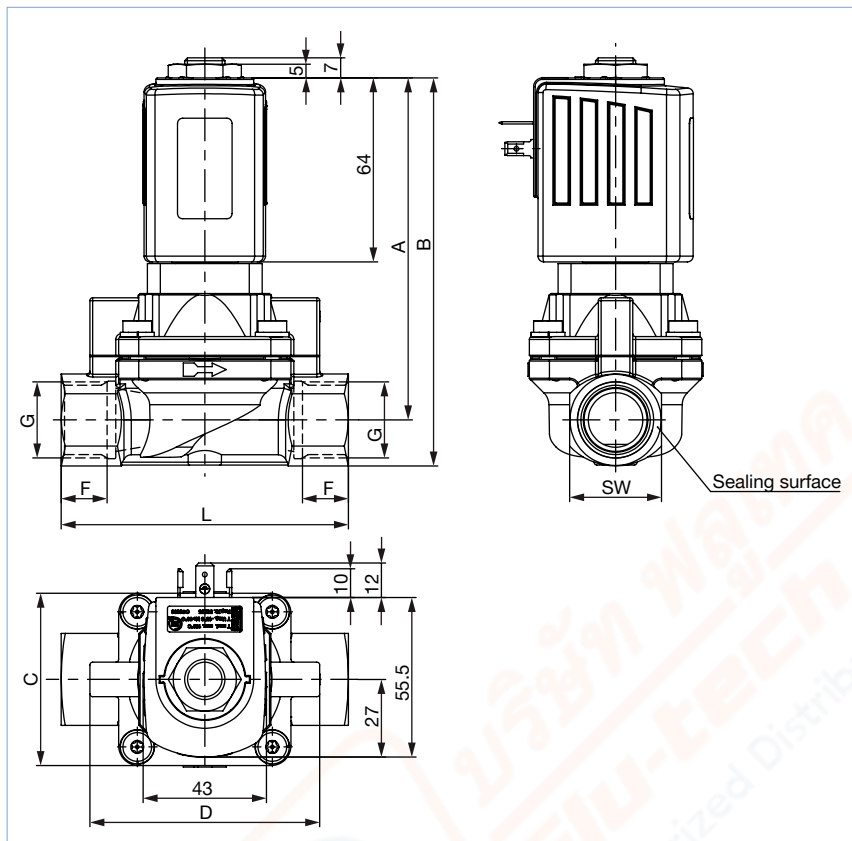
DTS 1000158188 EN Version: E Status: RL (released | freigegeben | validé) printed: 09.12.2022

4. Dimensions

4.1. Standard version DN 13 and DN 20

Note:

Dimensions in mm



DN	A	B	C	D	F	G	L	SW	Sealing surface
13	118	131.5	40	57	12	G ¾	75	27	17×21
					14	G ½			22×27
20	119	135	60	80	16	G ¾	100	32	27×32

5. Ordering information

5.1. Bürkert eShop – Easy ordering and quick delivery




Bürkert eShop – Easy ordering and quick delivery

You want to find your desired Bürkert product or spare part quickly and order directly? Our online shop is available for you 24/7. Sign up and enjoy all the benefits.

[Order online now](#)

5.2. Bürkert product filter



Bürkert product filter – Get quickly to the right product

You want to select products comfortably based on your technical requirements? Use the Bürkert product filter and find suitable articles for your application quickly and easily.

[Try out our product filter](#)

5.3. Ordering chart

Feed line/return line valve combinations

If the oil burner is designed with a return nozzle and without a nozzle shut-off valve (see DIN EN 267), the feed line and return line valves with safety shut-off function are required. The following combinations are possible:

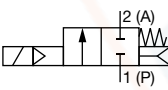
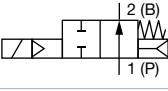
Feed line valve				Return line valve			
Type	Orifice [mm]	Housing material	K _v value water [m³/h]	Type	Orifice [mm]	Housing material	K _v value water [m³/h]
6027	3	Brass/stainless steel	0.22	6027	3	Brass/stainless steel	0.18
6027	3.5	Brass/stainless steel	0.38	6027	3.5	Brass/stainless steel	0.35
5406 ^{1.)}	13	Brass	3.5	6027	10	Brass	1.8
5406 ^{1.)}	20	Stainless steel	6.3	5407 ^{2.)}	20	Stainless steel	4.7

1.) See data sheet **Type 6027** ▶ solenoid valve safety shut off valve for oil burner

2.) See data sheet **Type 5407** ▶ solenoid valve safety shut off valve for oil burner

Note:

Further versions with alternative voltages and frequencies on request.

Circuit function	Port connection	Orifice [mm]	K _v value water [m³/h]	Applications	Closing times [ms]	Electrical power		Max. medium pressure (Oil) [bar]	Body material	Article no.	
						Operation [W]	Inrush [VA]			110...120/50	220...240/50
										[V/Hz]	[V/Hz]
G-inner thread, seal material PTFE/FKM											
DIN EN ISO 23553 - 1 Safety isolating equipment for liquid fuels PF15											
A, solenoid valve 2/2 way Servo-controlled Normally closed 	G 3/8	13.0	3.5 3.0	Feed line	< 500	20	120	1...30	Brass	270861	257496
	G 1/2	13.0	3.3 3.0	Feed line	< 500	20	120	1...30	Brass	233267	230462
	G 3/4	20.0	6.3	Feed line	< 800	20	120	1...30	Stainless steel	233270	239769
Normally open without approval DIN EN ISO 23553 - 1, but adapted for use with liquid fuels MW85											
B, solenoid valve 2/2 way Servo-controlled Normally opened 	G 3/8	13.0	3.5 3.0	Circulation	< 500	20	120	1...30	Brass	382364	328969
	G 1/2	13.0	3.3 3.0	Circulation	< 500	20	120	1...30	Brass	X	233271


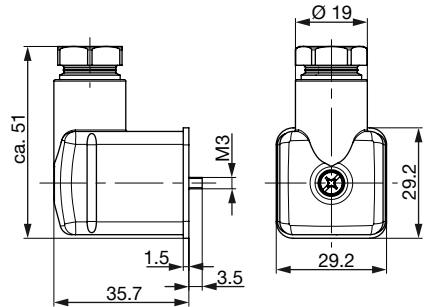
X: on request

5.4. Ordering chart accessories

Cable plug Type 2518, form A according to DIN EN 175301 - 803

Note:

Further versions see data sheet **Type 2518** ▶.

Cable plug	Dimensions	Version	Voltage	Article no.
		Without circuitry (AC/DC) with silicone seal	0...250 V AC/DC	361687 