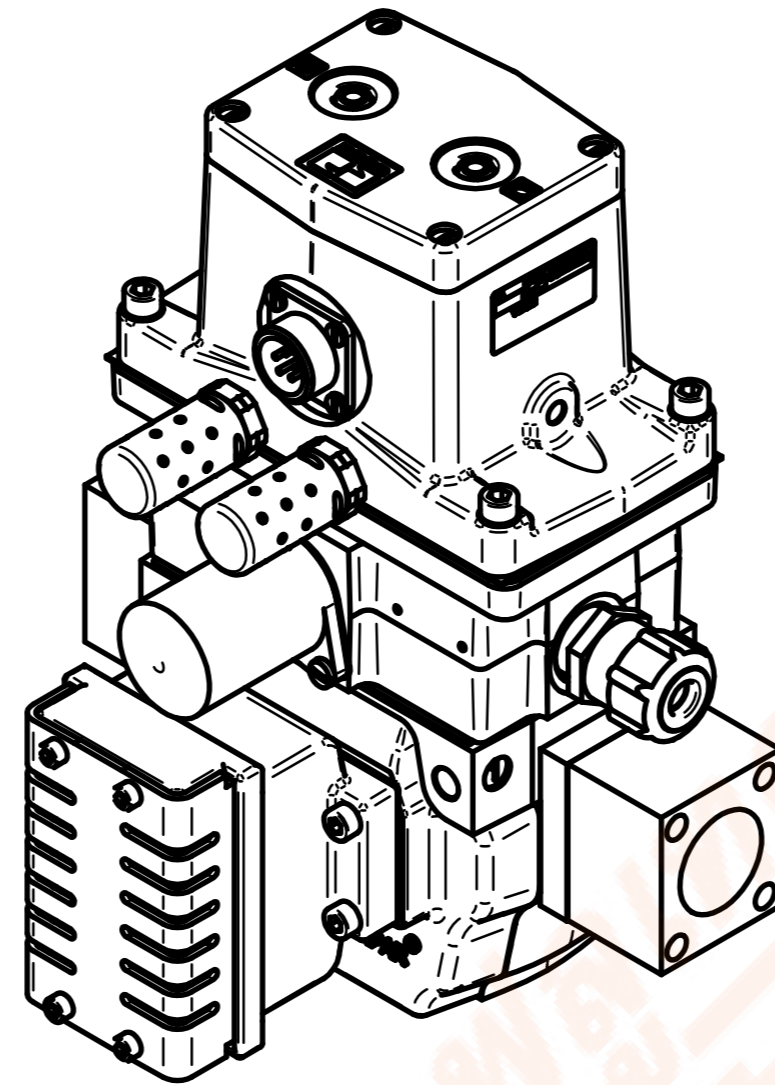
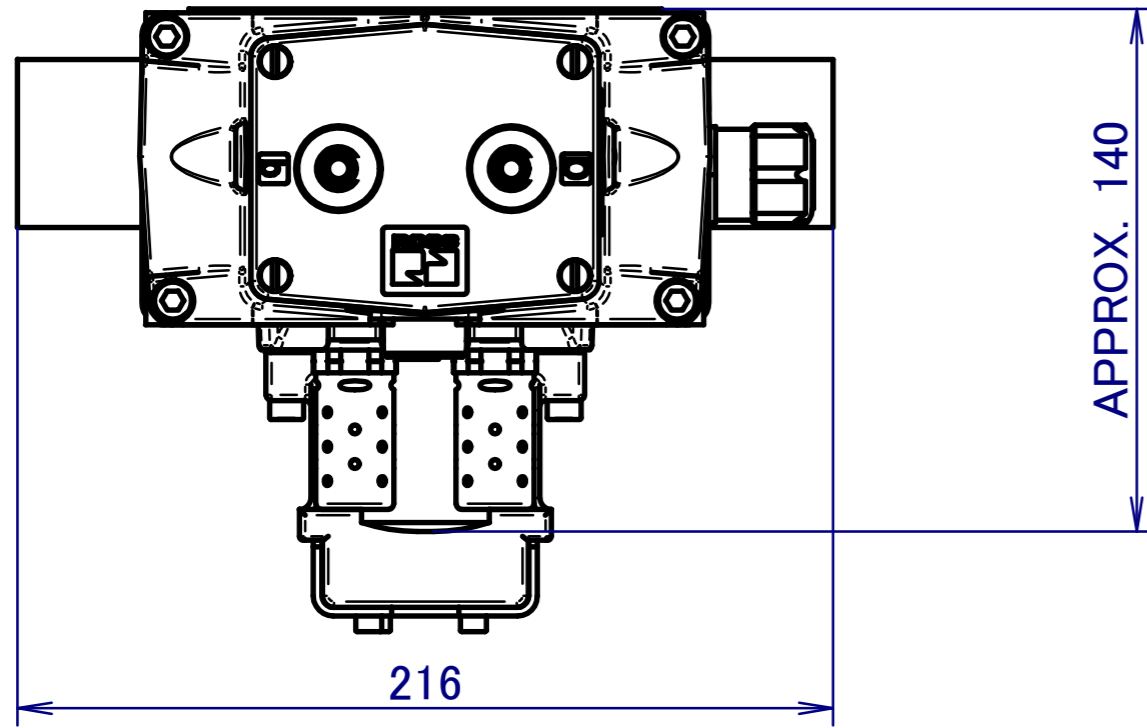
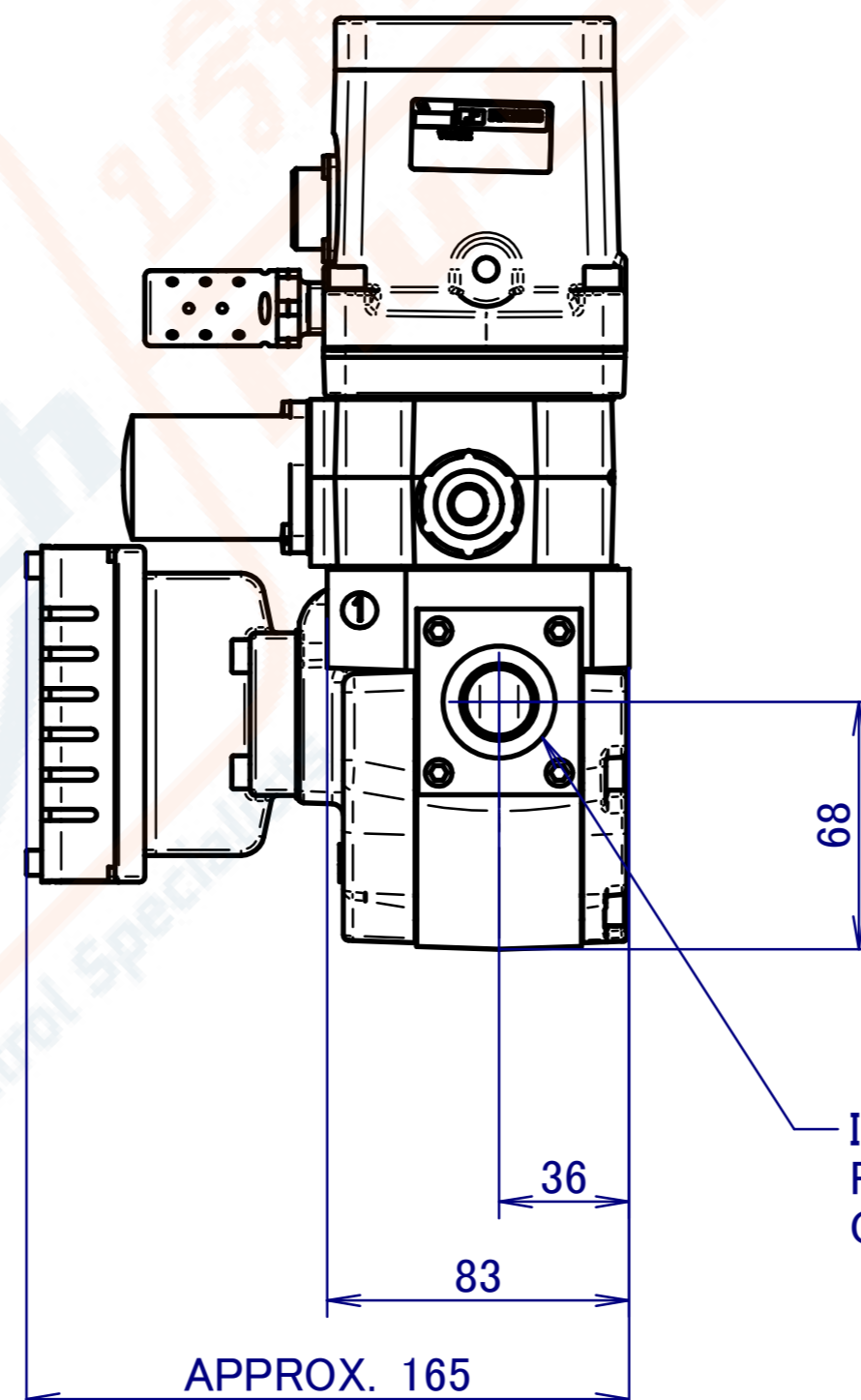
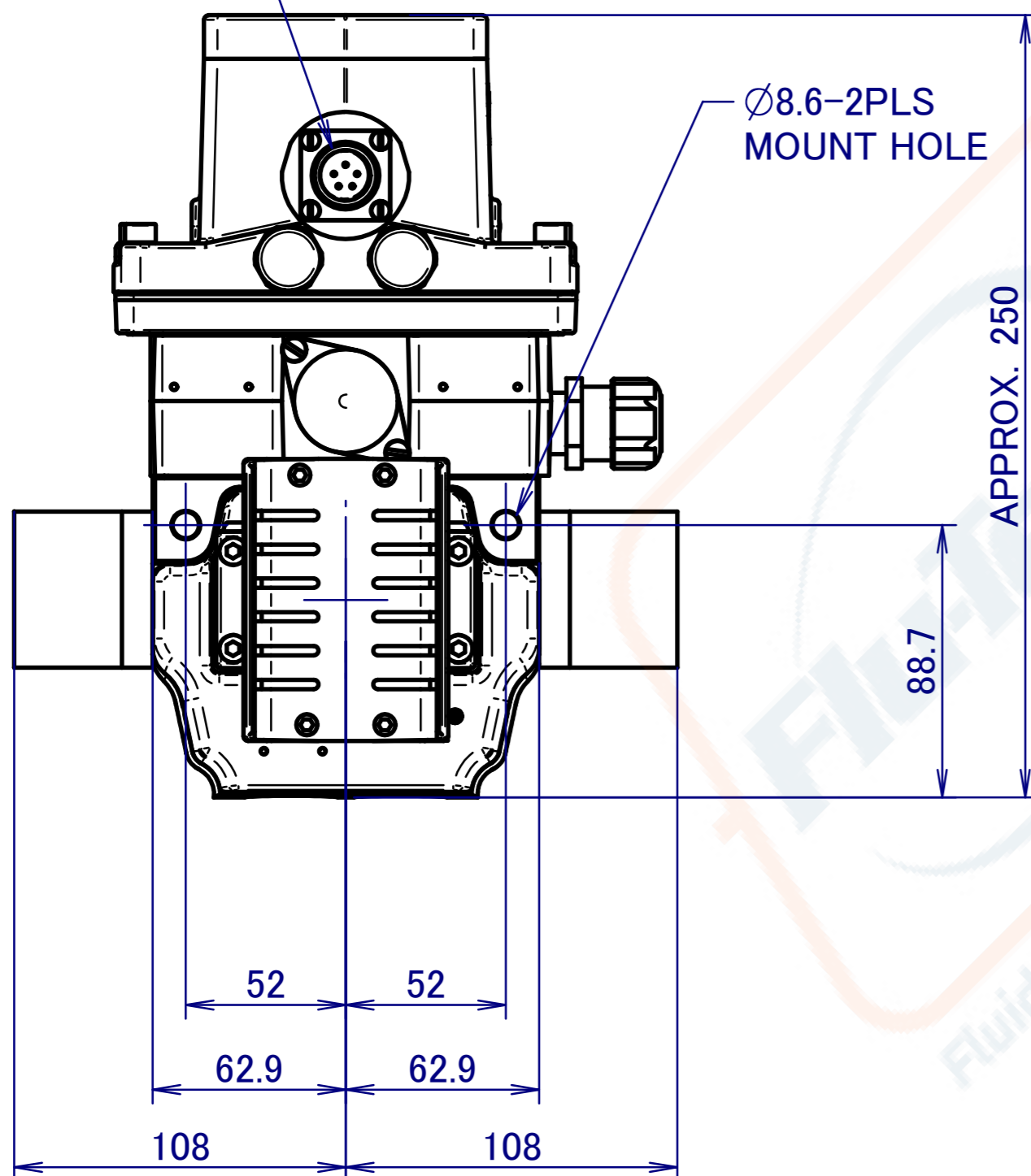


RESTRICTED -ROSS PROPRIETARY RIGHTS INVOLVED  
 This document is transmitted by ROSS CONTROLS and ROSS Asia K.K., accepted contained therein are reserved by ROSS, that the document will not be copied, duplicated, sold or disclosed to others by you without the express written permission of ROSS, and the devices embodying said information will not be manufactured, used, sold or disclosed to others by you without such permission.  
 This document is property of ROSS and shall be returned upon request.

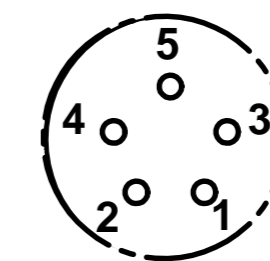


STANDARD SPECIFICATIONS	
Pilot Solenoid	Two, rated continuous duty.
	Standard Voltage : DC24, 110V
	AC100-110V/50Hz, 100-120V/60Hz
	Other voltage available
Power Consumption	Each solenoid
	87VA inrush, 30VA holding on 50/60Hz
	14W on DC
Electrical Connection	Pilot Solenoid : 5-pin Metal Consent (Connector : See Options)
Pilot	Internal Pilot
Ambient Temperature	4 to 50°C
Media Temperature	4 to 80°C
Flow Media	Filtered air.
Pressure Range	0.2 to 0.7MPa (2 to 7 bar)
Options	Connector without cable P/N : 548E30
(Pls. Order separately.)	Connector with 1.0m cable P/N : 609E30
	Connector with 1.5m cable P/N : 801H77
	Connector with 2.0m cable P/N : 800H77

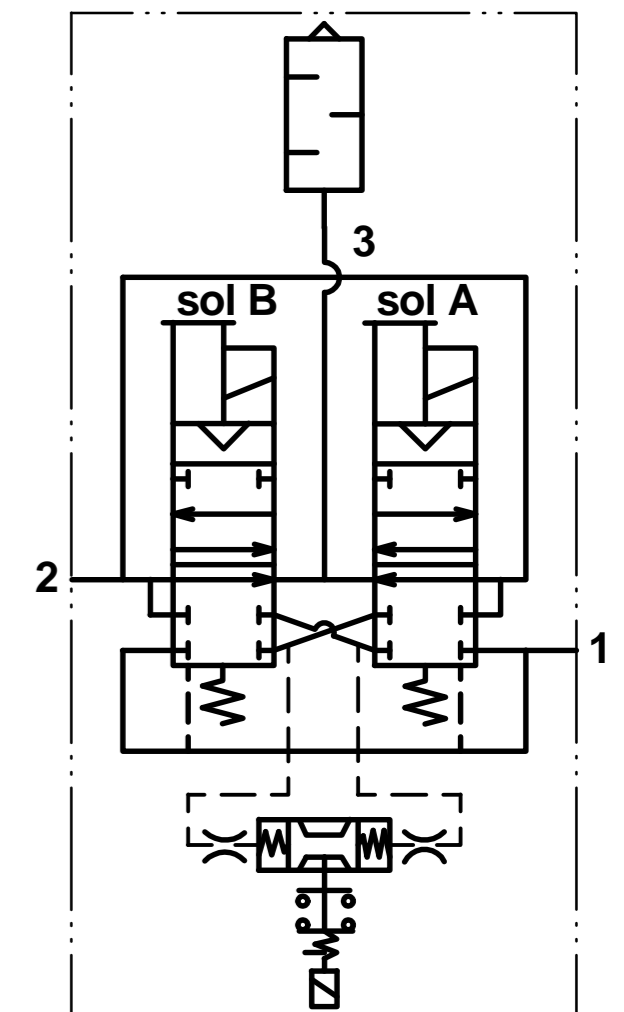
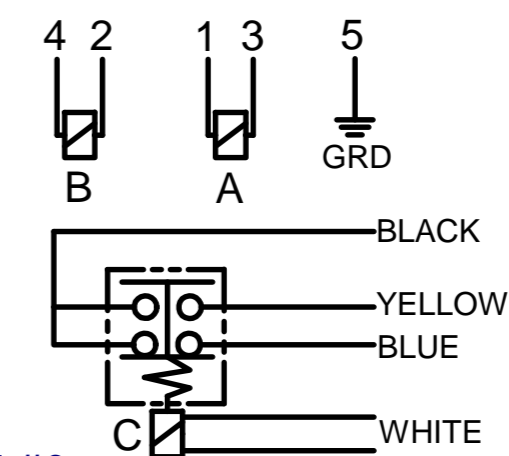
5 PIN CONNECTOR



**CAUTIONS:**  
 THIS DOUBLE VALVE HAS NO SENSORS AND NO MONITORS.  
 IT HAS TO USE WITH SENSORS AND MONITORS TO MEET  
 WITH SAFETY OF MACHINERY.



5 PIN LAYOUT of CONNECTOR



INLET PORT #1  
 Rp 1  
 OPPOSITE OUTLET #2