



บริษัท ฟลูเทค จำกัด
Flu-tech co.,ltd
Authorized Distributor



PNEUMAX



AUTOMOTIVE
CATALOGUE



WWW.FLUTECH.CO.TH



ADD FRIEND
@flutech.co.th

FLU-TECH CO.,LTD | บริษัท ฟลูเทค จำกัด
845/3-4 M.3 , Theparak, Muang, Samutprakan 10270
845/3-4 หมู่ 3 ถ.เทพารักษ์ ต.เทพารักษ์ อ.เมือง จ.สมุทรปราการ 10270

Accessories

Sensor

M12 or M8
connector;
PNP or NPN



Patented



EC001

Sensor cable



Auto-retaining device

for opening position An extremely light device which maintains the clamping arm in its defined opening position in case of air loss. The AR-series has been designed for **maximum load capacity** and due to its compact dimensions, it can be used on the same side of the manual operation handle.



Patented

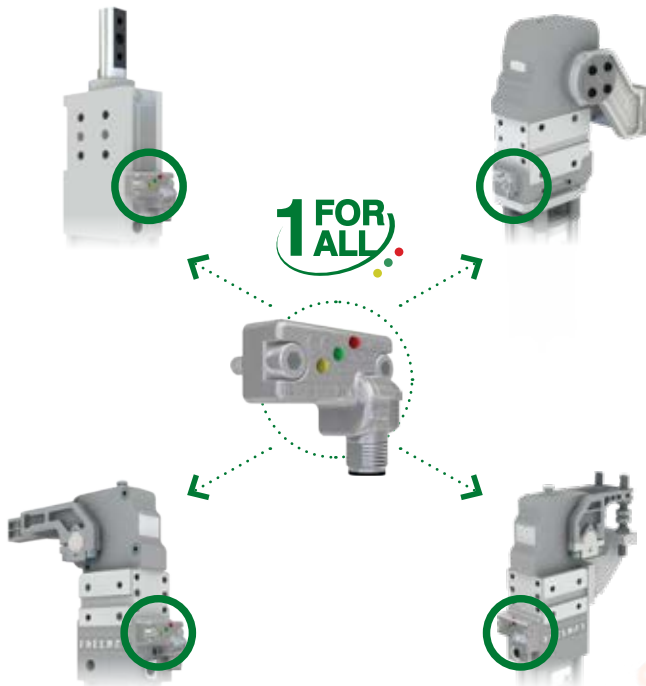


Shims and spacers



Sensor

ES001. Electronic sensor used for all clamps, all sizes and series

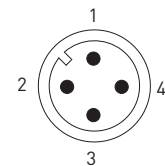
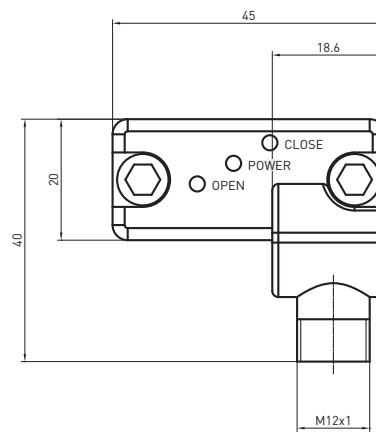
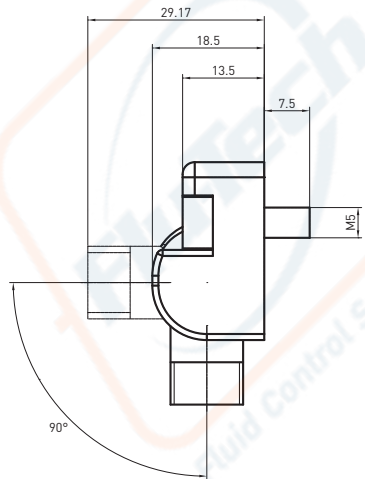


Technical features

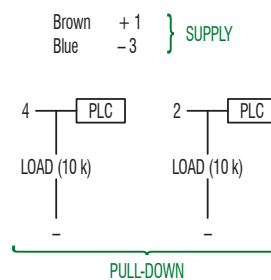
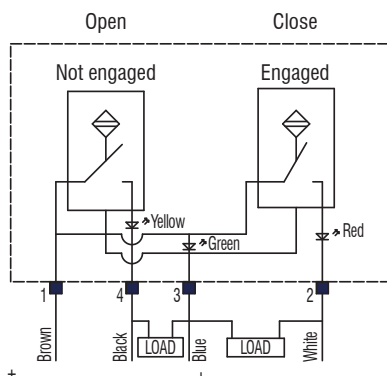
Operating voltage	10-30 VDC
Voltage drop	≤ 2 V
Load current	≤ 100 mA
Current consumption	≤ 30 mA
Short-circuit protection	protected
Protection rating	IP68
Operating temperature	-0 °C +50 °C
Storage temperature	-25 °C +60 °C
Electromagnetic compatibility	EN 60947-5-2:2007 + A1:2012
Power supply indication	green LED
Open position indication	yellow LED
Closed position indication	red LED
Digital output type	PNP

ES001 / Electronic sensor with M12 swivel connector - PNP

REV. 00 - 31/03/2015

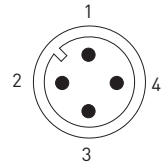
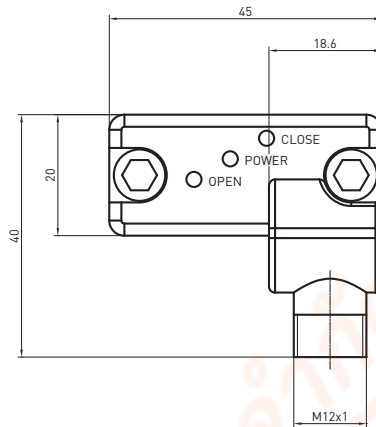
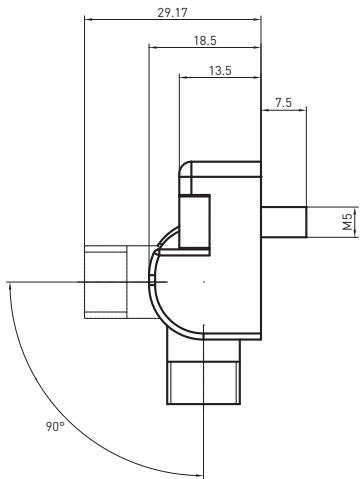


Simplified diagram (PNP)

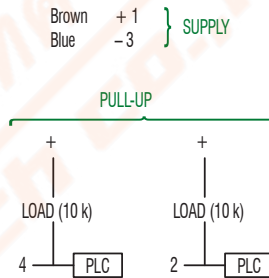
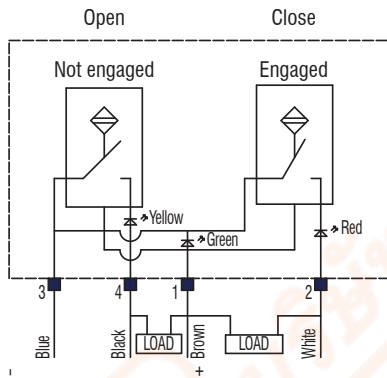


ES002 / Electronic sensor with M12 swivel connector - NPN

REV. 00 - 31/03/2015

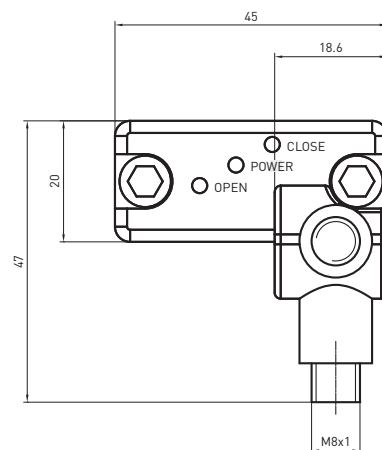
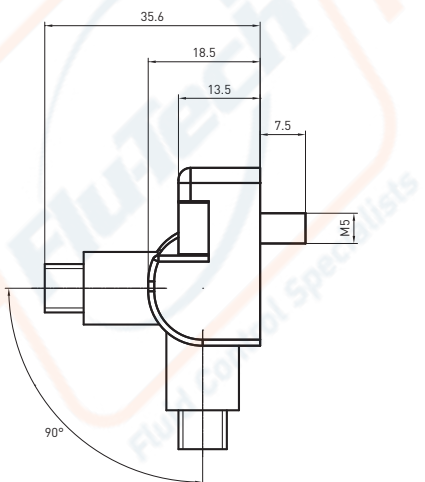


Simplified diagram (NPN)

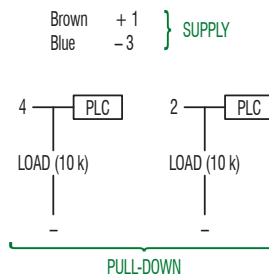
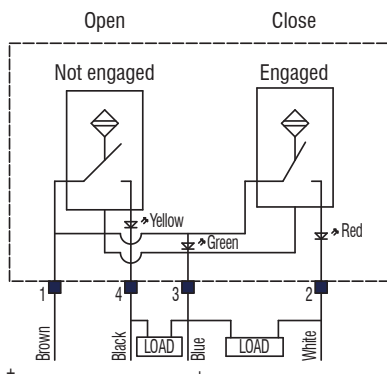


ES003 / Electronic sensor with M8 swivel connector - PNP

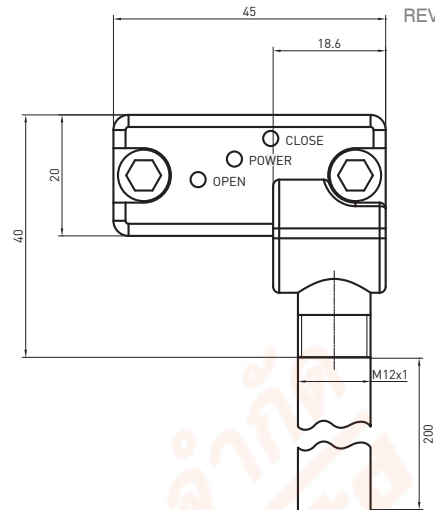
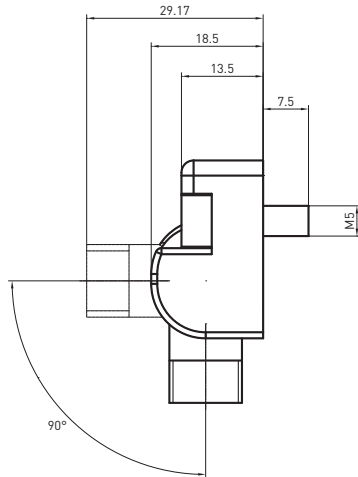
REV. 00 - 31/03/2015



Simplified diagram (PNP)

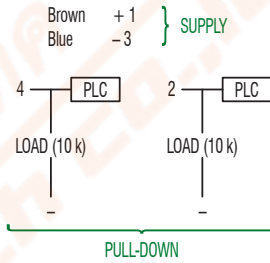
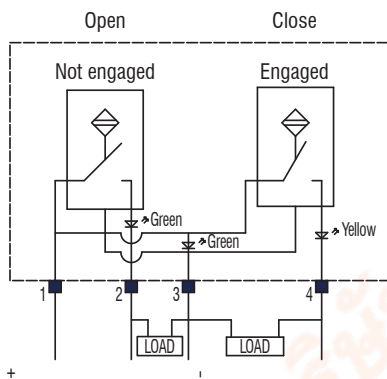


ES004 / Electronic sensor with M12 swivel connector - PNP



REV. 00 - 12/12/2016

Simplified diagram (PNP)



Technical features	
Power supply indication	green LED
Open position indication	green LED
Closed position indication	yellow LED

