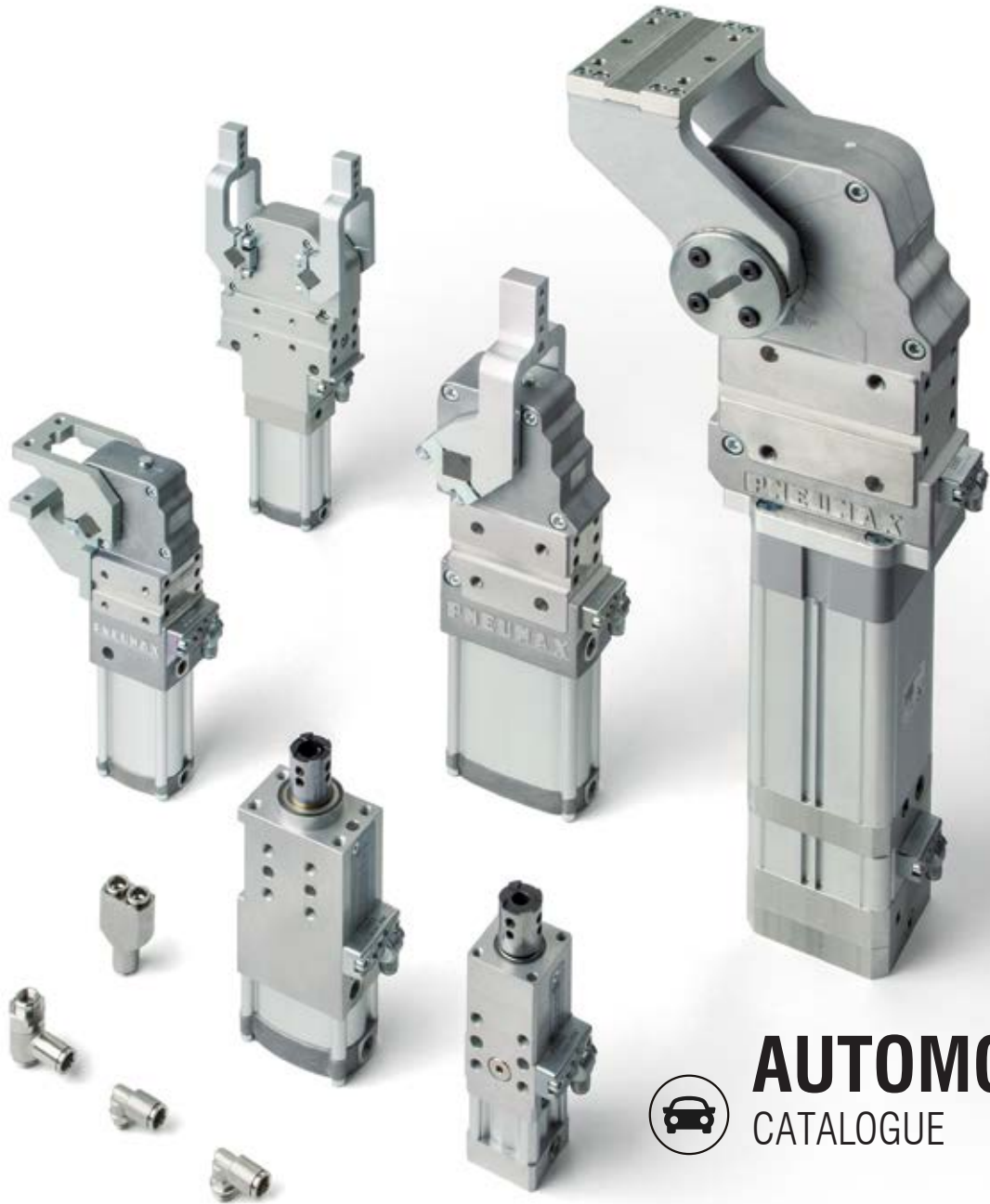




บริษัท ฟลูเทค จำกัด  
Flu-tech co.,ltd  
Authorized Distributor



**PNEUMAX**



**AUTOMOTIVE**  
CATALOGUE



WWW.FLUTECH.CO.TH



ADD FRIEND  
@flutech.co.th

**FLU-TECH CO.,LTD | บริษัท ฟลูเทค จำกัด**  
845/3-4 M.3 , Theparak, Muang, Samutprakan 10270  
845/3-4 หมู่ 3 ถ.เทพารักษ์ ต.เทพารักษ์ อ.เมือง จ.สมุทรปราการ 10270

# Accessories

## Sensor

M12 or M8  
connector;  
PNP or NPN



Patented



## EC001

Sensor cable



## Auto-retaining device

for opening position An extremely light device which maintains the clamping arm in its defined opening position in case of air loss. The AR-series has been designed for **maximum load capacity** and due to its compact dimensions, it can be used on the same side of the manual operation handle.



Patented

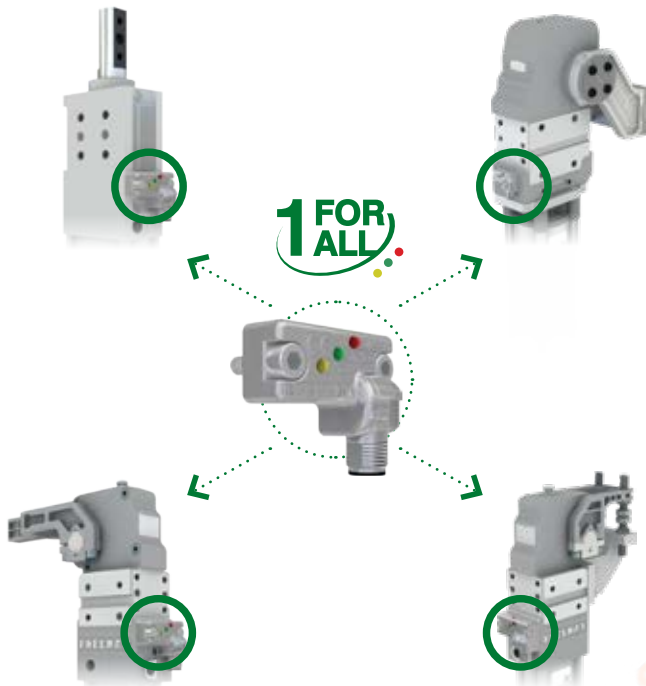


## Shims and spacers



# Sensor

## ES001. Electronic sensor used for all clamps, all sizes and series

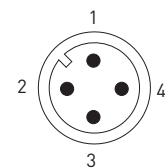
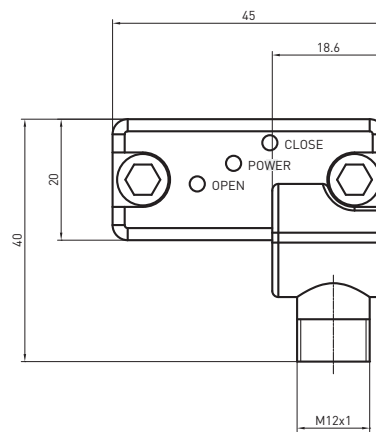
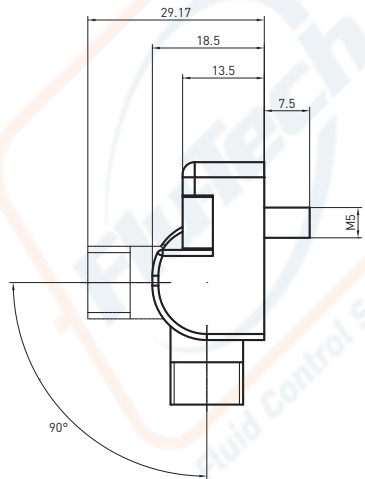


### Technical features

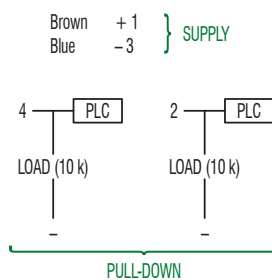
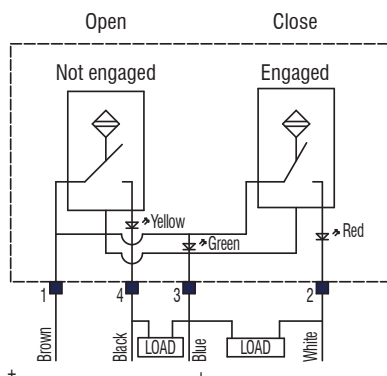
Operating voltage	10-30 VDC
Voltage drop	≤ 2 V
Load current	≤ 100 mA
Current consumption	≤ 30 mA
Short-circuit protection	protected
Protection rating	IP68
Operating temperature	-0 °C +50 °C
Storage temperature	-25 °C +60 °C
Electromagnetic compatibility	EN 60947-5-2:2007 + A1:2012
Power supply indication	green LED
Open position indication	yellow LED
Closed position indication	red LED
Digital output type	PNP

### ES001 / Electronic sensor with M12 swivel connector - PNP

REV. 00 - 31/03/2015

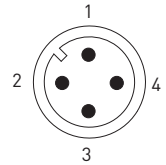
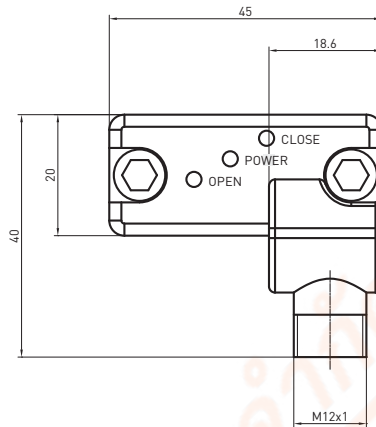
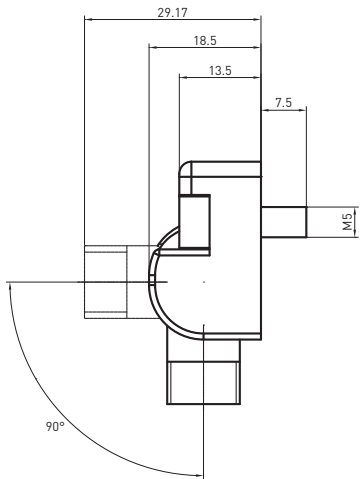


Simplified diagram (PNP)

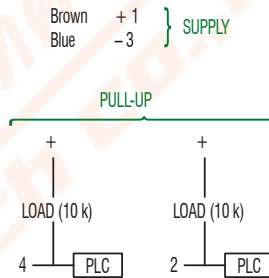
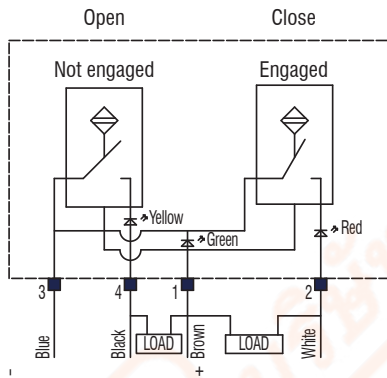


**ES002 / Electronic sensor with M12 swivel connector - NPN**

REV. 00 - 31/03/2015

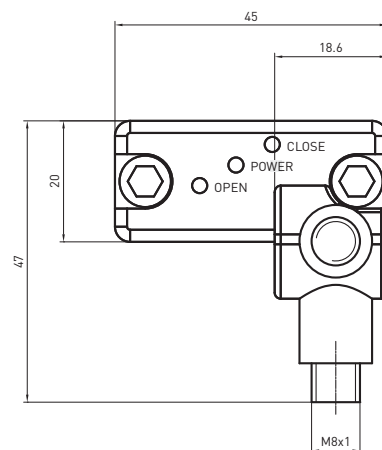
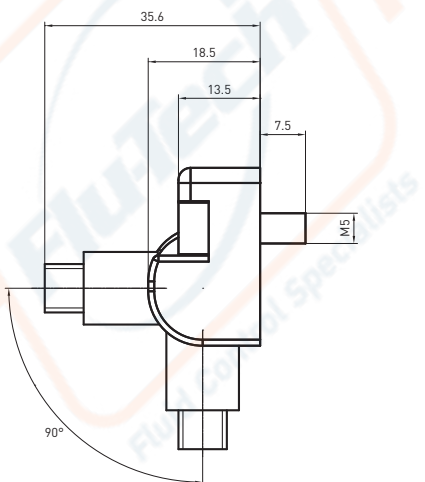


Simplified diagram (NPN)

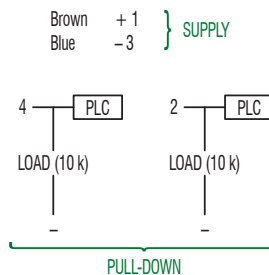
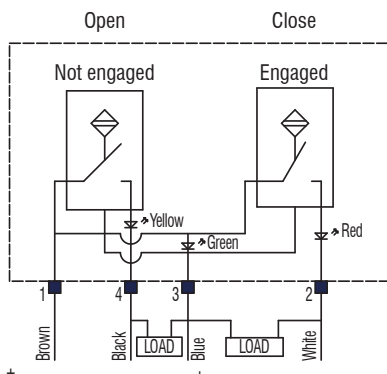


**ES003 / Electronic sensor with M8 swivel connector - PNP**

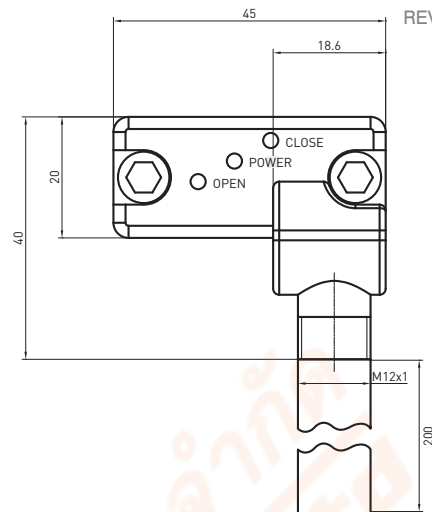
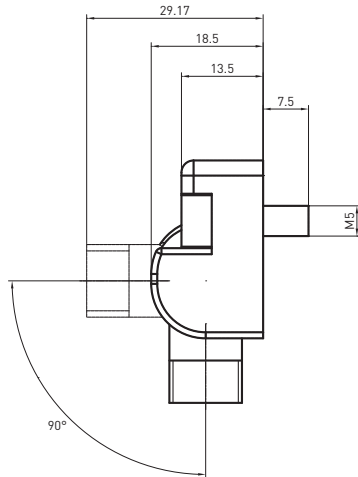
REV. 00 - 31/03/2015



Simplified diagram (PNP)

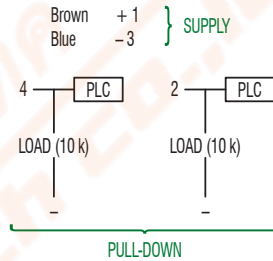
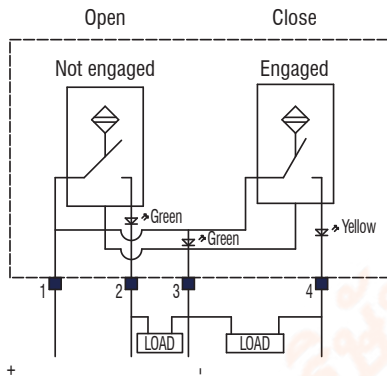


**ES004 / Electronic sensor with M12 swivel connector - PNP**



REV. 00 - 12/12/2016

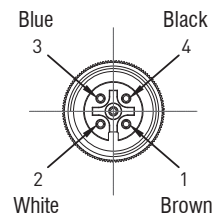
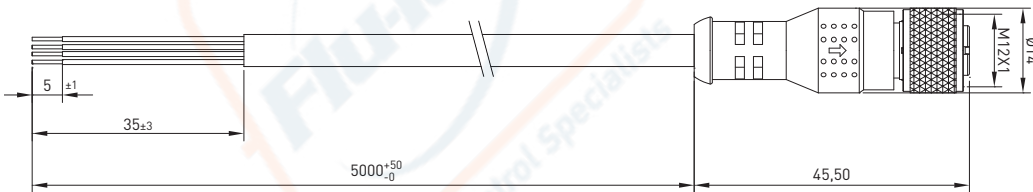
Simplified diagram (PNP)



Technical features	
Power supply indication	green LED
Open position indication	green LED
Closed position indication	yellow LED

**Cable**

**EC001-05**



**Technical features**

Connector features	
Product type	M12 circular connector with moulded cable
Connector type	Straight 180°
Contacts type	Female 4 poles
Pin	4
Protection class	IP69K
Rated voltage	250V AC/DC
Rated current	4 A

Cable features	
Pneumax cable code	EC001-05
Numbers of conductors	4
Conductors section	0,34 mm <sup>2</sup> (AWG22)
Cable material	PUR UL style 21576
Coating colour	Black
Conductors insulation material	TPO
Cable length	5000 mm
Stripping	35 mm Standard
Peeling and tinning	5 mm Standard

\* DIMENSIONAL TOLERANCE FOR DOWEL HOLES: ±0.02  
DIMENSIONAL TOLERANCE FOR THREADED HOLES: ±0.1  
REV. 00 - 03/04/2015

