



บริษัท ฟลูเทค จำกัด
Flu-tech co.,ltd
Authorized Distributor



PNEUMAX



AUTOMOTIVE
CATALOGUE



WWW.FLUTECH.CO.TH



ADD FRIEND
@flutech.co.th

FLU-TECH CO.,LTD | บริษัท ฟลูเทค จำกัด
845/3-4 M.3 , Theparak, Muang, Samutprakan 10270
845/3-4 หมู่ 3 ถ.เทพารักษ์ ต.เทพารักษ์ อ.เมือง จ.สมุทรปราการ 10270

R-Series

Retractable locating pin packages



Technical features

Pneumatic ports on both sides of the cylinder.

Operating features

Operating pressure	from 2 to 8 bar / from 30 to 115 psi
Lubrication	all the devices are lubricated for life at the factory. Inline air lubrication isn't required

Functional charts

Size 50 mm

• Max deflection

Stroke	Load (kg)	Load position A deviation (mm)	Load position B deviation (mm)	Load position C deviation (mm)
60 mm	0.5	0.007	0.012	0.01
	1	0.013	0.025	0.023
	1.5	0.02	0.04	0.036
	2	0.03	0.053	0.049
	2.5	0.038	0.067	0.064
	3	0.045	0.082	0.075
50 mm	0.5	0.006	0.009	0.007
	1	0.013	0.02	0.018
	1.5	0.021	0.032	0.028
	2	0.026	0.047	0.043
	2.5	0.032	0.66	0.057
	3	0.037	0.075	0.068
40 mm	0.5	0.004	0.009	0.004
	1	0.009	0.02	0.009
	1.5	0.013	0.032	0.013
	2	0.018	0.047	0.018
	2.5	0.022	0.66	0.022
	3	0.026	0.075	0.026
25 mm	0.5	0	0.005	0
	1	0.005	0.015	0.005
	1.5	0.007	0.032	0.007
	2	0.011	0.047	0.011
	2.5	0.012	0.66	0.012
	3	0.014	0.075	0.014
15 mm	0.5	0	0.005	0
	1	0.002	0.018	0
	1.5	0.004	0.025	0.002
	2	0.007	0.033	0.006
	2.5	0.012	0.043	0.009
	3	0.014	0.052	0.013

• Functional data (at 5 bar / 72.5 psi)

Thrust force	825 N
Pull force	980 N
Max bending moment	3 N m / 2.21 lb-ft
Max distance from the load centre to the rod	200 mm

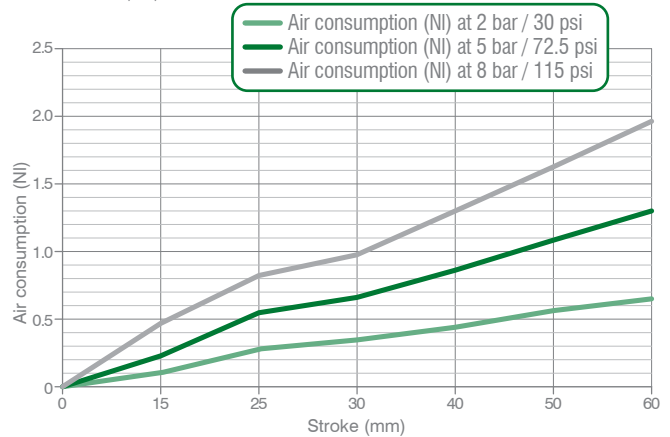
• Cycle time for max stroke

< 0.8 s NO flow valve required

• Air consumption

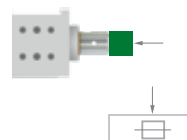
Air consumption for complete cycle

REV. 00 - 18/06/2015



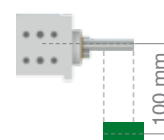
Load position **A**

Horizontal mounting position of the retractable locating pin/load centre on the rod



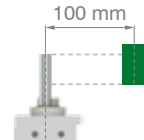
Load position **B**

Horizontal mounting position of the retractable locating pin/load centre at 100 mm from the rod axis



Load position **C**

Vertical mounting position of the retractable locating pin/load centre at 100 mm from the rod axis



Size 63 mm

• Max deflection

Stroke	Load (kg)	Load position A deviation (mm)	Load position B deviation (mm)	Load position C deviation (mm)
60 mm	0.5	0.007	0.012	0.01
	1	0.013	0.025	0.023
	1.5	0.02	0.04	0.036
	2	0.03	0.053	0.049
	2.5	0.038	0.067	0.064
	3	0.045	0.082	0.075
50 mm	0.5	0.006	0.009	0.007
	1	0.013	0.02	0.018
	1.5	0.021	0.032	0.028
	2	0.026	0.047	0.043
	2.5	0.032	0.66	0.057
	3	0.037	0.075	0.068
40 mm	0.5	0.004	0.009	0.004
	1	0.009	0.02	0.009
	1.5	0.013	0.032	0.013
	2	0.018	0.047	0.018
	2.5	0.022	0.66	0.022
	3	0.026	0.075	0.026
25 mm	0.5	0	0.005	0
	1	0.005	0.015	0.005
	1.5	0.007	0.032	0.007
	2	0.011	0.047	0.011
	2.5	0.012	0.66	0.012
	3	0.014	0.075	0.014
15 mm	0.5	0	0.005	0
	1	0.002	0.018	0
	1.5	0.004	0.025	0.002
	2	0.007	0.033	0.006
	2.5	0.012	0.043	0.009
	3	0.014	0.052	0.013

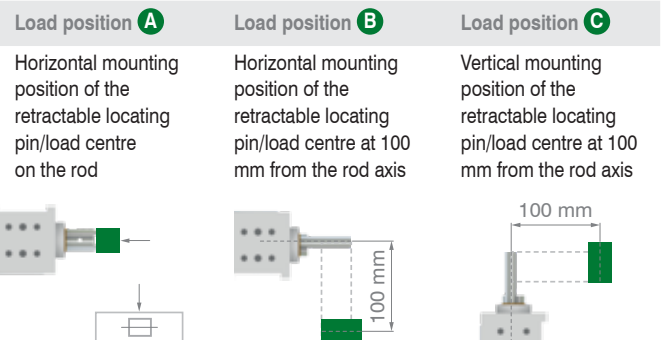
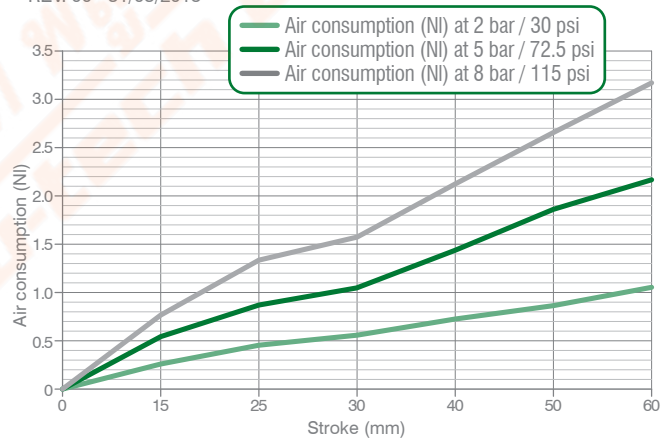
• Functional data (at 5 bar / 72.5 psi)

Thrust force	1,400 N
Pull force	1,555 N
Max bending moment	3 N m / 2.21 lb-ft
Max distance from the load centre to the rod	200 mm

• Cycle time for max stroke < 0.8 s NO flow valve required

• Air consumption

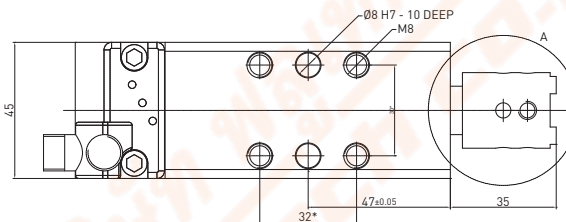
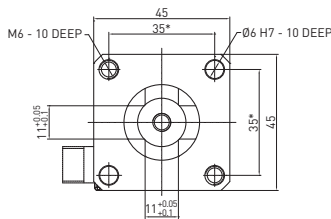
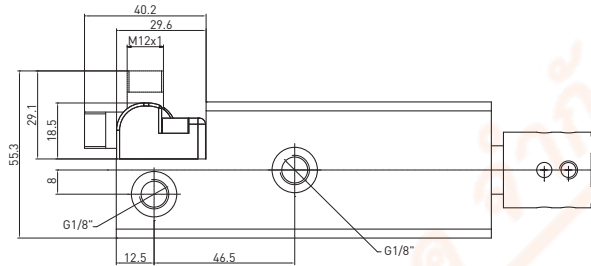
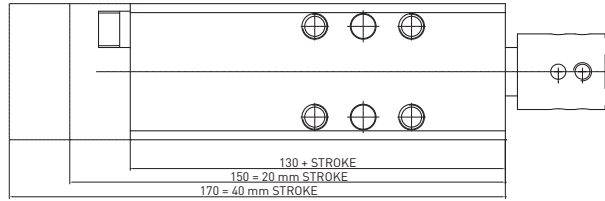
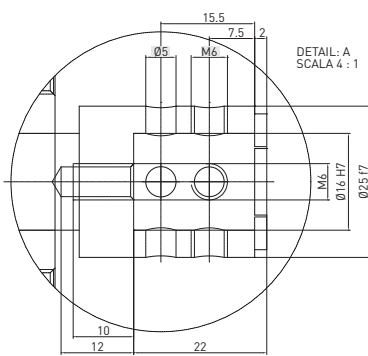
Air consumption for complete cycle
REV. 00 - 31/03/2015



Please get in touch with our technical representatives for any application which exceeds the above values, to find the appropriate solution for your application.

RP32E _1 / Retractable locating pin package - Size 32 mm - iØ 16 mm cross-cut key rod termination

WEIGHT 0.88 kg
min. stroke version



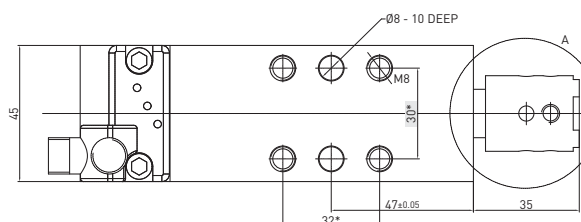
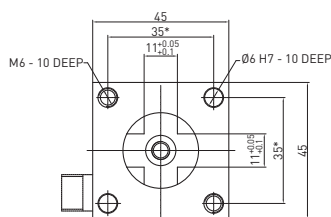
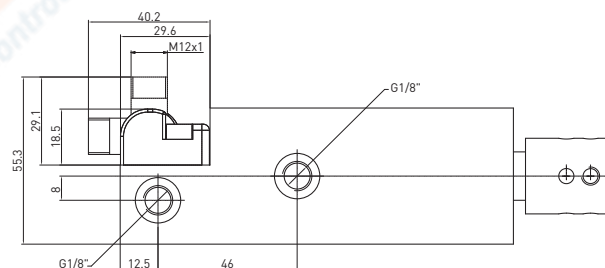
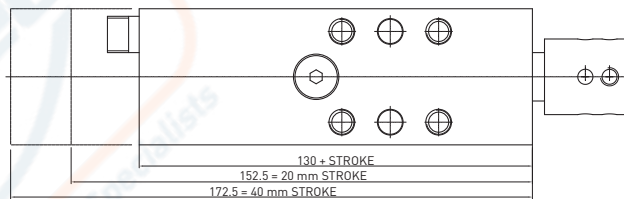
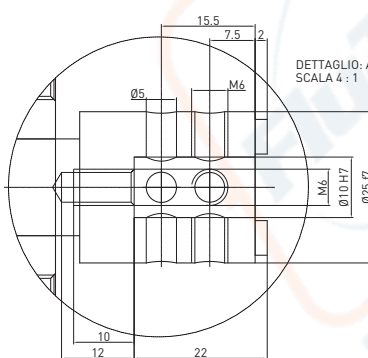
* DIMENSIONAL
TOLERANCE FOR
DOWEL HOLES: ±0.02

DIMENSIONAL
TOLERANCE FOR
THREADED HOLES: ±0.1

REV. 00 - 07/03/2017

RP32E _2 / Retractable locating pin package - Size 32 mm - iØ 10 mm cross-cut key rod termination

WEIGHT 0.88 kg
min. stroke version



* DIMENSIONAL
TOLERANCE FOR
DOWEL HOLES: ±0.02

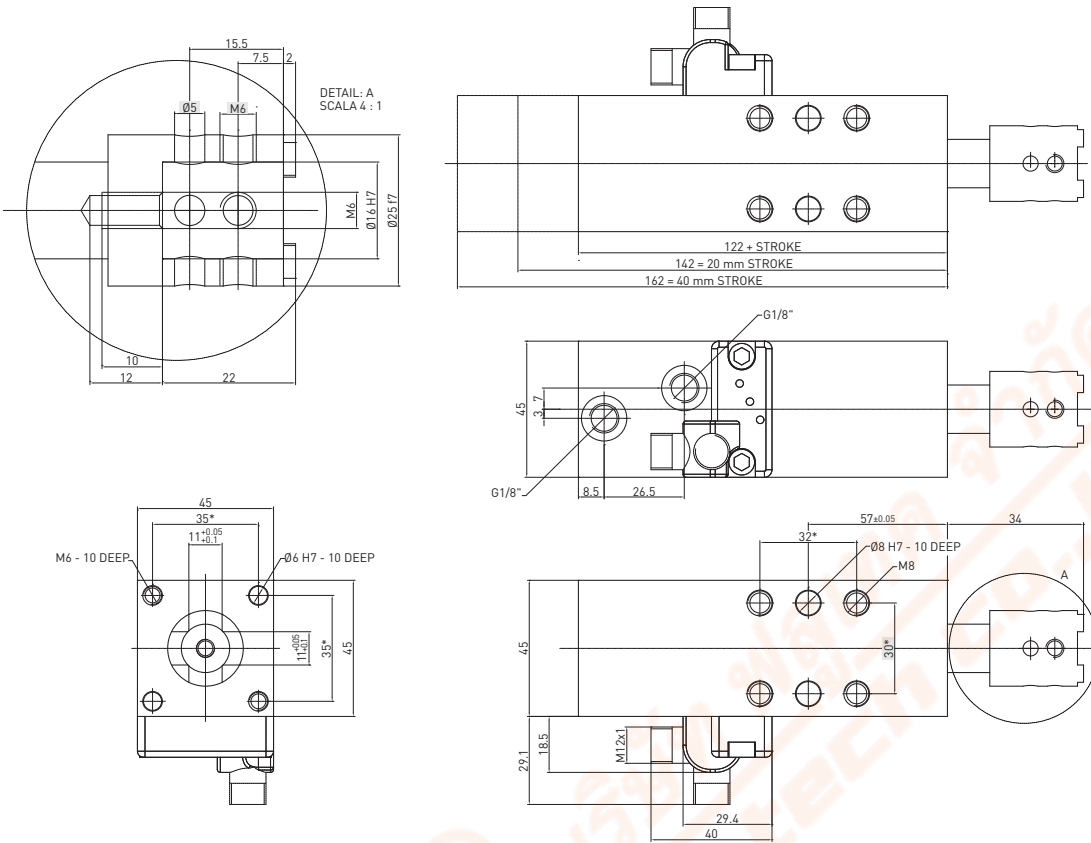
DIMENSIONAL
TOLERANCE FOR
THREADED HOLES: ±0.1

REV. 00 - 00/00/0000

RA32E _1 / Retractable locating pin package - Size 32 mm - iØ 16 mm cross-cut key rod termination

WEIGHT 0.94 kg
min. stroke version

LOCATING



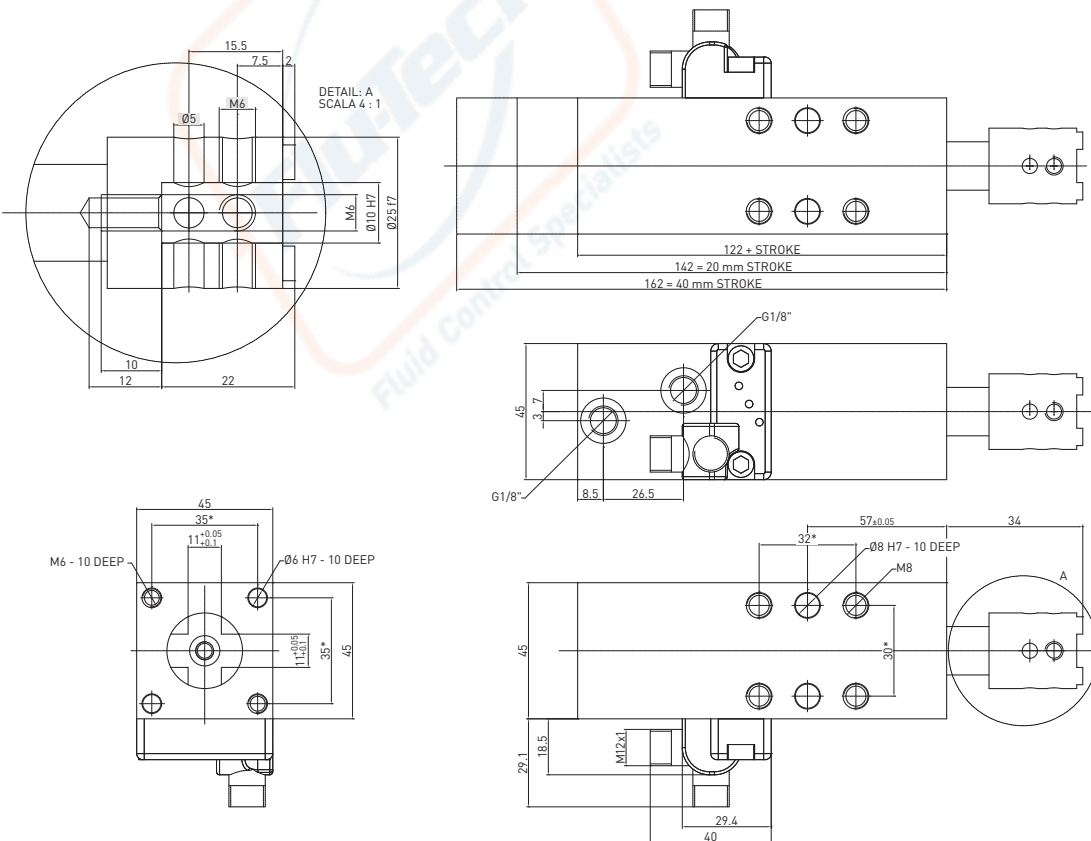
* DIMENSIONAL
TOLERANCE FOR
DOWEL HOLES: ±0.02

DIMENSIONAL
TOLERANCE FOR
THREADED HOLES: ±0.1

REV. 02 - 12/01/2018

RA32E _2 / Retractable locating pin package - Size 32 mm - iØ 10 mm cross-cut key rod termination

WEIGHT 0.94 kg
min. stroke version



* DIMENSIONAL
TOLERANCE FOR
DOWEL HOLES: ±0.02

DIMENSIONAL
TOLERANCE FOR
THREADED HOLES: ±0.1

REV. 02 - 12/01/2018