



บริษัท ฟลูเทค จำกัด  
Flu-tech co.,ltd  
Authorized Distributor



**PNEUMAX**



**AUTOMOTIVE**  
CATALOGUE



WWW.FLUTECH.CO.TH



ADD FRIEND  
@flutech.co.th

FLU-TECH CO.,LTD | บริษัท ฟลูเทค จำกัด  
845/3-4 M.3 , Theparak, Muang, Samutprakan 10270  
845/3-4 หมู่ 3 ถ.เทพารักษ์ ต.เทพารักษ์ อ.เมือง จ.สมุทรปราการ 10270

# 1390-Series



## Ecolight cylinders according to ISO 15552 standard with integrated metal rodscraper

**Permanent protection** of the piston rod against welding debris particles: the metallic wiper constantly wipes any welding deposits off the piston rod.

The seal is made of a special FKM-based elastomer with approx. 81 shore hardness.

Technical features	
Fluid	Filtered and preferably lubricated air (if lubricated the lubrication must be continuous)
Max. pressure	10 bar

Product features	
End plates	Die-casting aluminum
Rod	C43 chromed steel
Barrel	Anodised aluminum alloy
Rod-guide bushing	Spheroid bronze on steel band with P.T.F.E. coat
Seals	Standard: NBR oil resistant rubber, PUR piston rod seals (PUR seals available upon request)
Cushion adjusting screws	Brass

Ecolight cylinders										
<b>Bore</b>	32	40	50	63	80	100	125	160	200	
<b>AM</b>	22	24	32	32	40	40	54	72	72	
<b>B (d11)</b>	30	35	40	45	45	55	60	65	75	
<b>BG</b>	16	16	18	18	16	16	21	25	25	
<b>E</b>	47	54	65	76	95	113	138	180	216	
<b>EE</b>	G1/8"	G1/4"	G1/4"	G3/8"	G3/8"	G1/2"	G1/2"	G3/4"	G3/4"	
<b>G</b>	29.5	33	32	36	38.5	41.5	48	49	49	
<b>KK</b>	M10x1.25	M12x1.25	M16x1.5	M16x1.5	M20x1.5	M20x1.5	M27x2	M36x2	M36x2	
<b>KV</b>	17	19	24	24	30	30	41	55	55	
<b>KW</b>	6	7	8	8	9	9	12	18	18	
<b>L2</b>	19	22	29	29	35	36	45	50	60	
<b>L3</b>	4	4	5	5	/	/	/	/	/	
<b>L8</b>	94	105	106	121	128	138	160	180	180	
<b>MM</b>	12	16	20	20	25	25	32	40	40	
<b>PL</b>	13	16	18	18	16	18	25	26	25	
<b>PM</b>	3	4	5	4.5	2.5	6	8	11	11	
<b>RT</b>	M6	M6	M8	M8	M10	M10	M12	M16	M16	
<b>SW</b>	10	13	17	17	22	22	27	36	36	
<b>TG</b>	32.5	38	46.5	56.5	72	89	110	140	175	
<b>VA</b>	4	4	4	4	4	4	6	6	6	
<b>VB</b>	33	41	51	51	65	71	75	70	75	
<b>VD</b>	4	4	4	4	4	4	6	6	6	
<b>VF</b>	12	12	16	16	20	20	25	30	30	
<b>VG</b>	48	54	69	69	86	91	119	152	167	
<b>WH</b>	26	30	37	37	46	51	65	80	95	
<b>Weight (g)</b>	Stroke 0	460	650	1,030	1,360	2,180	2,890	5,700	11,200	14,900
	every 10 mm	23	32	45	49	75	81	130	195	245

Ordering string

1390-Series

1390

050

0400

01R

1390

VERSION

050

SIZE

32 = Ø 32 mm  
40 = Ø 40 mm  
50 = Ø 50 mm  
63 = Ø 63 mm  
80 = Ø 80 mm

0400

STROKE

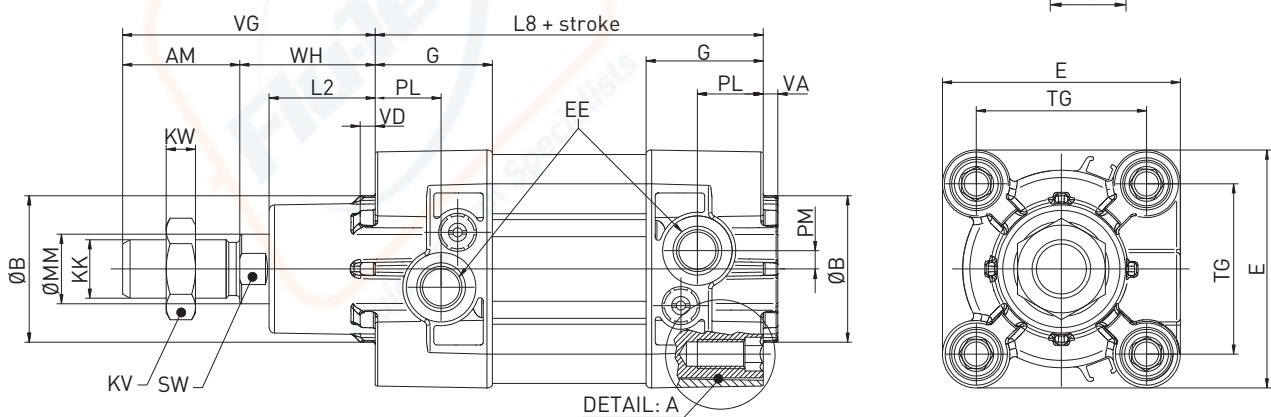
From 0 to 150 mm = every 25 mm  
From 150 to 500 mm = every 50 mm  
From 500 to 1000 mm = every 100 mm

01R

SPECIFICATION

01R = chromed rod; with metal rodscraper

1390 / Ecolight cylinders



\* DIMENSIONAL TOLERANCE  
FOR DOWEL HOLES:  $\pm 0.02$

DIMENSIONAL TOLERANCE  
FOR THREADED HOLES:  $\pm 0.1$

REV. 00 - 03/04/2015