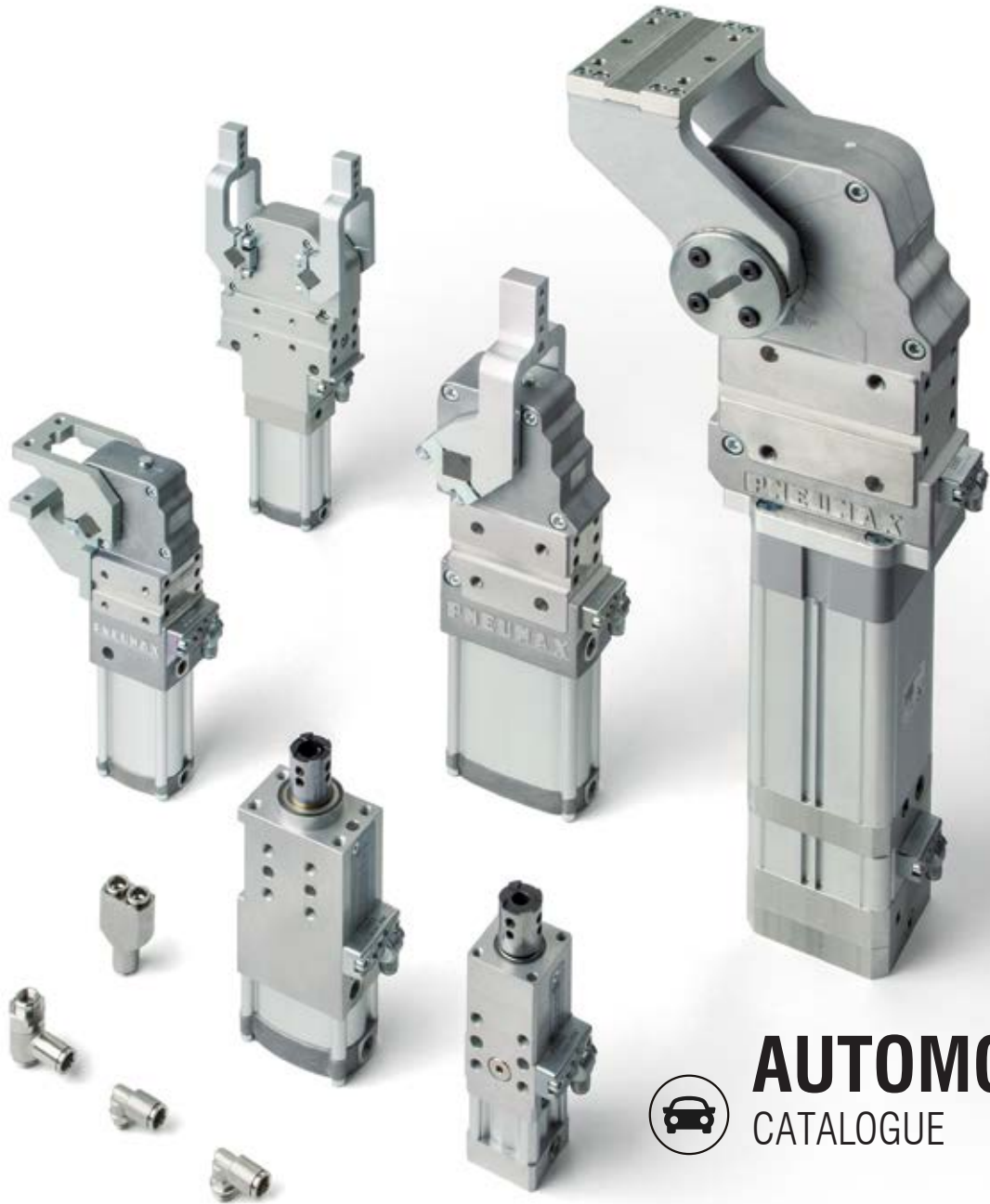




PNEUMAX



AUTOMOTIVE
CATALOGUE



WWW.FLUTECH.CO.TH



ADD FRIEND
@flutech.co.th

FLU-TECH CO.,LTD | บริษัท ฟลูเทค จำกัด
845/3-4 M.3 , Theparak, Muang, Samutprakan 10270
845/3-4 หมู่ 3 ถ.เทพารักษ์ ต.เทพารักษ์ อ.เมือง จ.สมุทรปราการ 10270

Special design products

Cooling water intake cylinder for welding guns' electrodes replacement

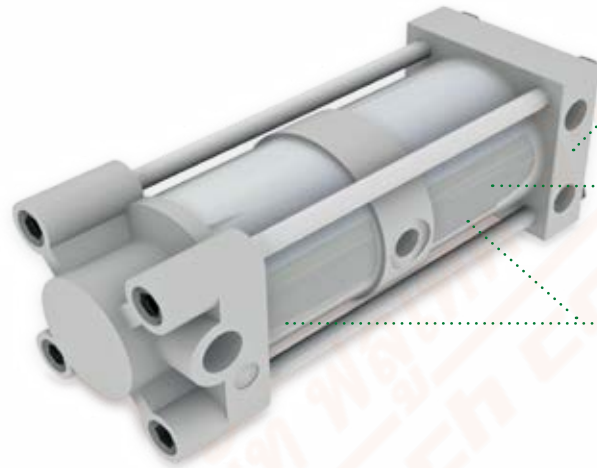
Customized special design products:

PNEUMAX engineering department will analyse every request for any specific application and will adapt or develop new components to meet the customer's needs. **Get in touch with us!**

The capacity of the intake chamber is 0.1 l.

The cylinder can be mounted to the service panel (RIP) for automated welding.

Not suitable for manual
welding operations



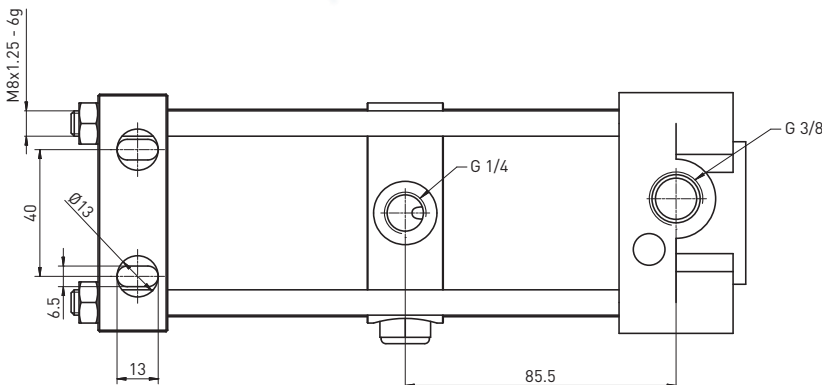
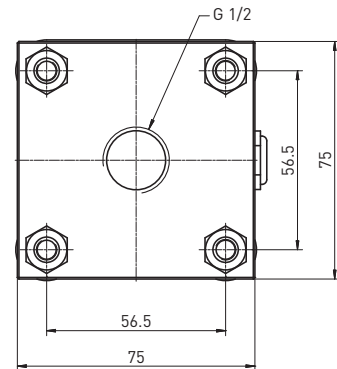
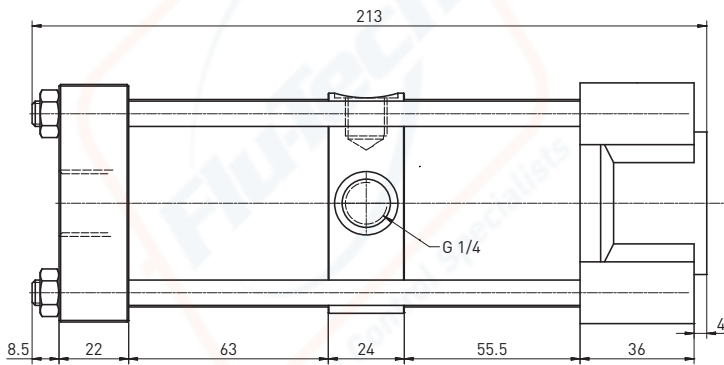
Piping for
the connection
to the welding gun

Intake chamber

Two chambers cylinder

PCY0050 / Cooling water intake cylinder

REV. 00 - 18/02/2015



COMPLEMENTARY PRODUCTS