

Series HM

Mini cylinders ISO 6432, double acting

Technical details

Operating pressure	1 ... 10 bar
Temperature range	-30°C ... +80°C (0 ... +150°C for high temperature version)
Medium	Filtered, oil-free and dried compressed air according to ISO 8573-1:2010, Class 7:2:4, instrument air, free of aggressive additives. Alternatively the pressure dew point must be at least 10°C below lowest occurring ambient temperature.
Materials	Cylinder tube: stainless steel End caps: Al (anodized) Piston rod: stainless steel Seals: PU, NBR
	Cylinders in accordance with 2014/34/EU (ATEX) available. (Chapter 13)



Double acting pneumatic cylinder with magnetic piston and built-in cushioning rings or adjustable cushions. Standard stroke lengths in table below, additional lengths on request.

Versions

	HM, HMS, HMZ double acting, with magnetic piston		HMDE double acting, double end piston rod, with magnetic piston
	HMP double acting, adjustable cushioning, with magnetic piston		HMPDE double acting, double end piston rod, adjustable cushioning, with magnetic piston
	HDH double acting, high temperature version		
	HDPH double acting, adjustable cushioning, high temperature version		

Order code

Series		Options	
HM	standard	ATEX	cylinders in accordance with 2014/34/EU (ATEX)
HMP*			
HMDE*			
HMPDE*			
HDH**			
HDPH*			
HMS*	lateral air connection, rear		
HMZ*	central air connection, rear		
		Stroke (mm)	
		XXX	max. stroke see technical data
		Standard#	10, 25, 40, 50, 80, 100, 125, 160, 200, 250, 320, 400 mm
		Piston Ø	
		08	8 mm
		10	10 mm
		12	12 mm
		16	16 mm
		20	20 mm
		25	25 mm

* only for Ø 16, 20 and 25 mm

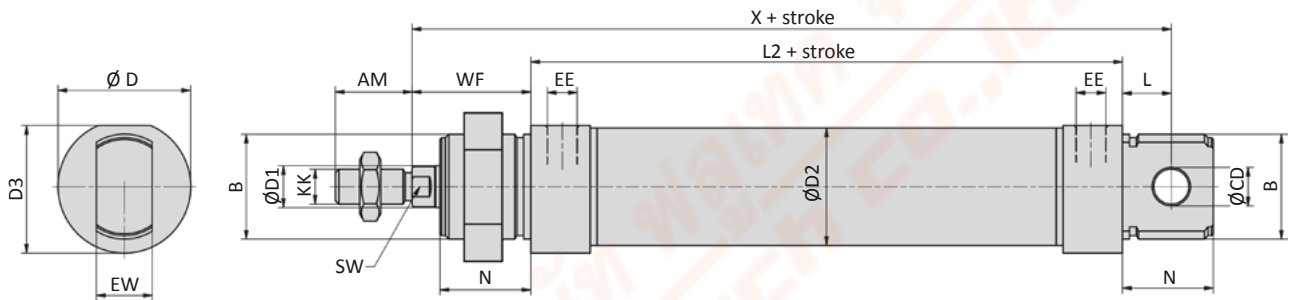
** not for Ø 8 mm

only for series HM and HMP in consideration of max. stroke

Technical data

Model-no.:	HM-08-...	HM-10-...	HM-12-...	Hxx-16-...	Hxx-20-...	Hxx-25-...
Piston \varnothing (mm)	8	10	12	16	20	25
Force at 6 bar (N)	Extension	27	42	61	109	265
	Retraction	20	36	46	93	223
Connection	M5	M5	M5	M5	G1/8	G1/8
Piston rod thread	M4	M4	M6	M6	M8	M10 x 1.25
Max. stroke (mm)	100	200	500	900	900	900
Cushioning length (mm)*	-	-	-	15.5	17	19.5

* only for series HMP, HMPDE, HDPH

Dimensions series HM, HMP, HDH, HDPH


Piston \varnothing	AM	B	$\varnothing CD$	$\varnothing D$	$\varnothing D1$	$\varnothing D2$	D3	EE
8	12	M12 x 1.25	4	16	4	9.27	15	M5
10	12	M12 x 1.25	4	16	4	11.27	15	M5
12	16	M16 x 1.5	6	19	6	13.27	18	M5
16	16	M16 x 1.5	6	19*	6	17.27	18	M5
20	20	M22 x 1.5	8	27	8	21.27	25.5	G1/8
25	22	M22 x 1.5	8	30	10	26.5	28.5	G1/8

* 21 mm for HMP, HMPDE, HDPH

Piston \varnothing	EW	KK	L	L2	N	SW	WF	X
8	8	M4	6	46	12	-	16	64
10	8	M4	6	46	12	-	16	64
12	12	M6	9	48	18	5	22	75
16	12	M6	9	53	18*	5	22	82
20	16	M8	12	67	20	7	24	95
25	16	M10 x 1.25	12	68	22	9	28	104

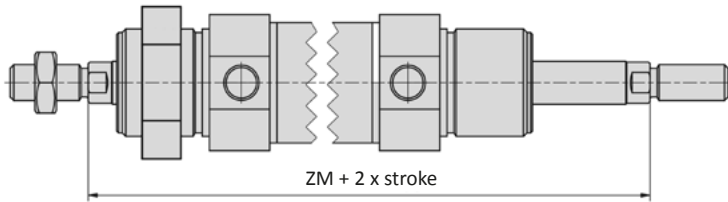
* 17 mm for HMP, HMPDE, HDPH

Series HM

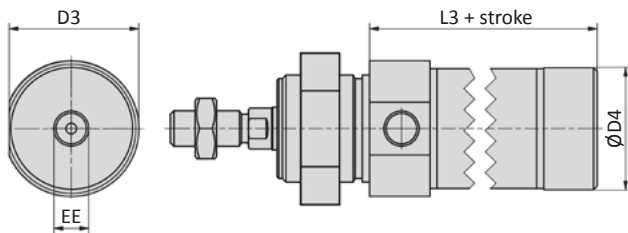
Mini cylinders ISO 6432, double acting

Additional dimensions Series HMDE, HMPDE, HMZ, HMS

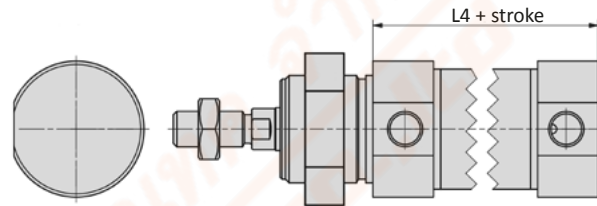
double end piston rod



Series HMZ

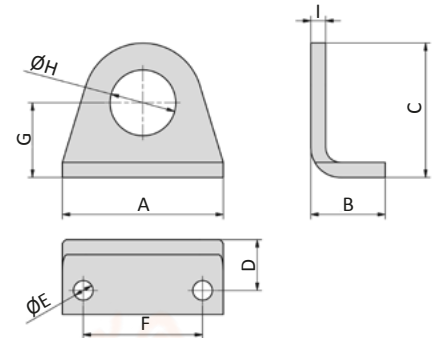


Series HMS



Piston \varnothing	ZM	EE	$\varnothing D$	$\varnothing D4$	L3	L4
16	97	M5	19	17.2	52	52.5
20	115	G1/8	27	22.2	65	67
25	124	G1/8	30	27	66	68

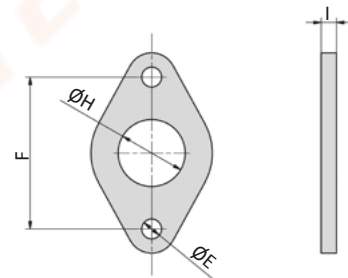
RA-xx Foot mount



Model-no.:	for cylinder \varnothing	A	B	C	D	$\varnothing E$	F	G	$\varnothing H$	I
RA-10	8, 10	35	16	26	11	4.5	25	16	12	3
RA-16	12, 16	42	20	32.5	14	5.5	32	20	16	4
RA-25	20, 25	54	25	45	17	6.6	40	25	22	5

Material: steel, zinc plated

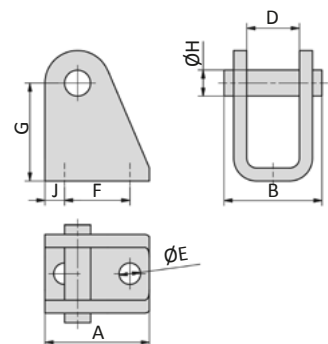
RB-xx Flange mount



Model-no.:	for cylinder \varnothing	$\varnothing E$	F	$\varnothing H$	I
RB-10	8, 10	4.5	30	12	3
RB-16	12, 16	5.5	40	16	4
RB-25	20, 25	6.6	50	22	5

Material: steel, zinc plated

RC-xx Clevis mount



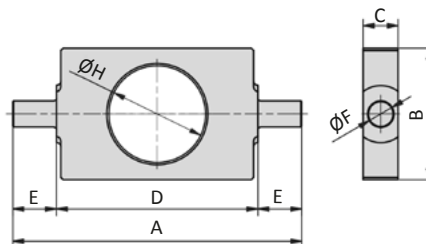
Model-no.:	for cylinder \varnothing	A	B	D	$\varnothing E$	F	G	$\varnothing H$	J
RC-10	8, 10	20	17	8.1	4.5	12.5	24	4	5
RC-16	12, 16	25	23	12.1	5.5	15	27	6	5
RC-30	20, 25	32	30	16.1	6.6	20	30	8	6

Material: steel, zinc plated, 2 snap rings are included.

Series HM

Mounting accessories

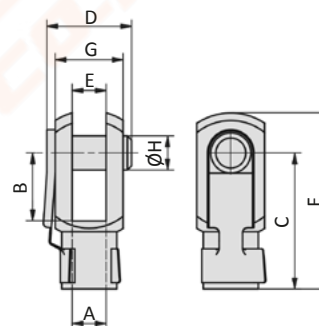
RH-xx Trunnion mount



Model-no.:	for cylinder Ø	A	B	C	D	E	Ø F	Ø H
RH-10	8, 10	38	20	6	26	6	4	12
RH-16	12, 16	58	25	8	38	10	6	16
RH-25	20, 25	66	30	8	46	10	6	22

Material: steel, zinc plated

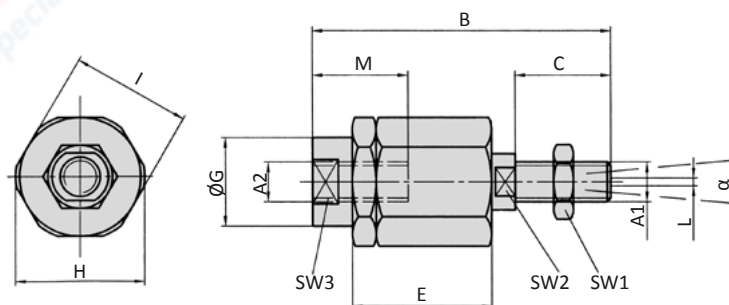
RD-xx Rod clevis



Model-no.:	for cylinder Ø	A	B	C	D	E	F	G	Ø H
RD-10	8, 10	M4	8	16	11.5	4	21	8	4
RD-16	12, 16	M6	12	24	16	6	31	12	6
RD-20	20	M8	16	32	22	8	42	16	8
RD-25	25	M10 x 1.25	20	40	26	10	52	20	10

Material: steel, zinc plated

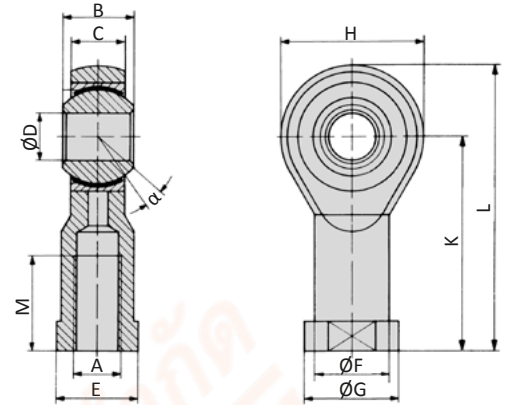
FK-xx Flexible coupling



Model-no.:	for cylinder Ø	A1, A2	B	C	D	E	Ø G	H	I	L	M	SW1	SW2	SW3	α
FK-16	12, 16	M6	35	11	2.5	17.5	8.5	14.5	13	1	12.5	10	5	7	6°
FK-20	20	M8	57	21	5	26	12.5	19	17	2	16	13	7	11	8°
FK-32	25	M10 x 1.25	71.5	20	7.5	35	22	32	30	2	22	17	12	19	8°

Material: steel, zinc plated

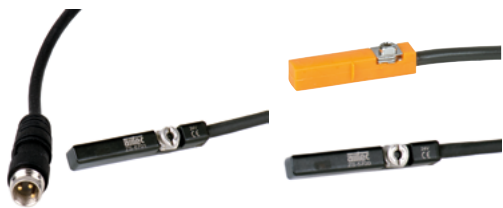
RO-xx Rod eye



Model-no.:	for cylinder \varnothing	A	B	C	$\varnothing D$	E	$\varnothing F$	$\varnothing G$	H	K	L	M	α
RO-16	12, 16	M6	9	6.75	6	11	10	13	20	30	40	12	13°
RO-20	20	M8	12	9	8	14	12.5	16	24	36	48	16	14°
RO-25	25	M10 x 1.25	14	10.5	10	17	15	19	28	43	57	20	13°

Materials: steel, zinc plated, bearing steel, bronze bushing

Proximity sensors



Page 9-90

! For piston \varnothing 8, 10 and 12 mm only electronic switches (ZS-6700, ZS-6701, ZS-7300 or ZS-7302) can be used.