

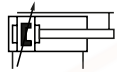
Technical details

Operating pressure	1 ... 10 bar
Temperature range	-20°C ... +80°C
Max. stroke	500 mm
Medium	Filtered, oil-free and dried compressed air according to ISO 8573-1:2010, Class 7:2:4, instrument air, free of aggressive additives. Alternatively the pressure dew point must be at least 10°C below lowest occurring ambient temperature.
Materials	Cylinder tube: Al (anodized) End caps: Al (anodized) Piston rod: stainless steel AISI 303(Ø 32 - Ø 40) steel hard chrome plated (Ø 50 - Ø 63) Seals: PU, NBR



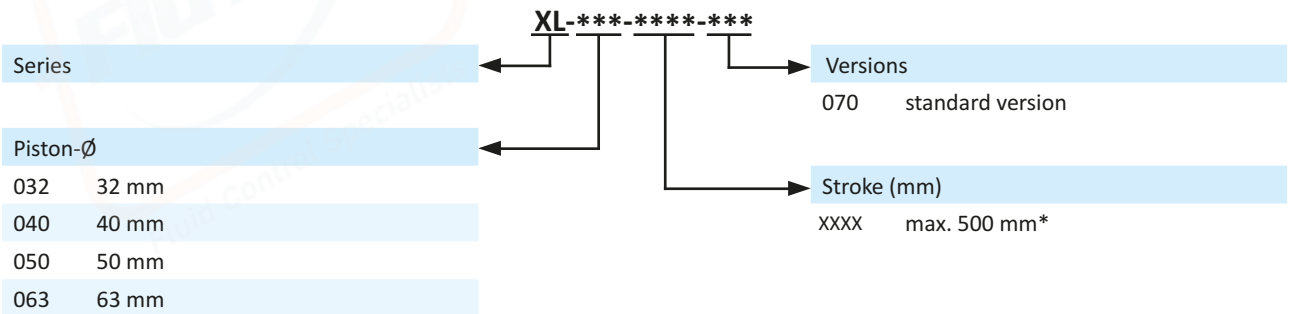
Double acting Al-profile cylinder with integrated sensor grooves, adjustable cushions and magnetic piston for proximity sensors. Double piston rod for non rotating. The sensors can be installed directly into the sensor grooves of the Al-profile.

Versions



070
double acting, adjustable cushioning,
non rotating, with magnetic piston

Order code



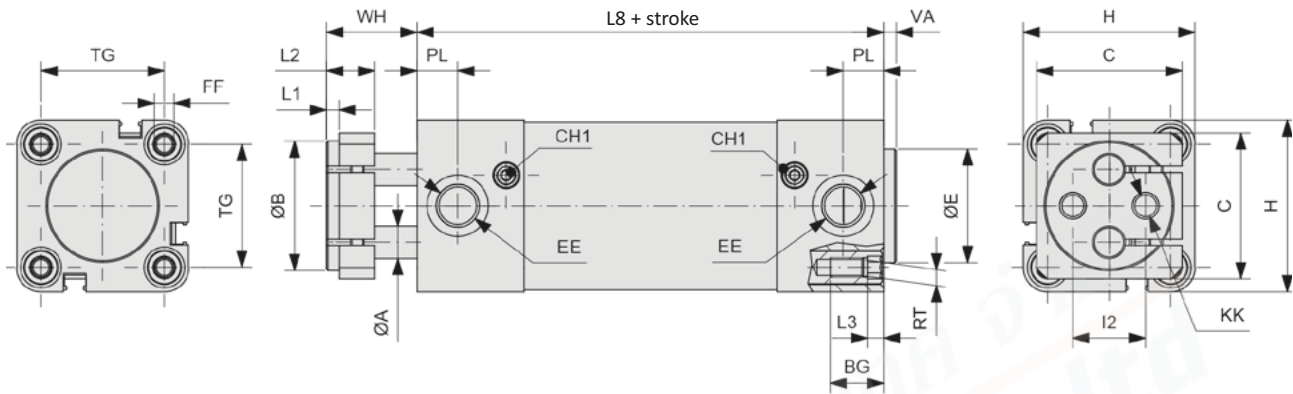
Technical data

Model-no.:	XL-032- ... -070	XL-040- ... -070	XL-050- ... -070	XL-063- ... -070
Piston Ø (mm)	32	40	50	63
Force at 6 bar (N)				
Extension	434	678	1060	1682
Retraction	380	594	938	1466
Connection	G1/8	G1/4	G1/4	G3/8
Cushioning length (mm)	27	29	32	32

Series XL

Version 070, double acting

Dimensions

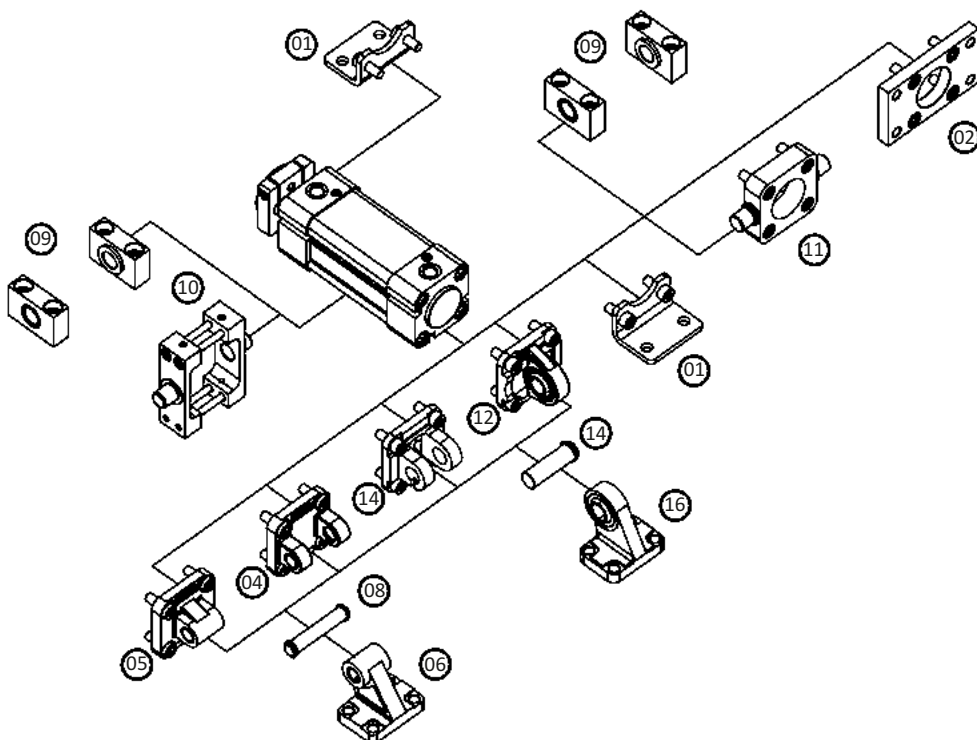


Piston-Ø	ØA	ØB	BG	C	CH1	ØE	EE	FF	H	I2
32	8	32	16,5	35	3	30	G1/8	M6	46,5	19
40	10	40	16,5	45	3	35	G1/4	M6	53	22,5
50	12	50	17,5	55	3	40	G1/4	M8	65	30
63	16	63	17,5	65	3	45	G3/8	M8	75	38

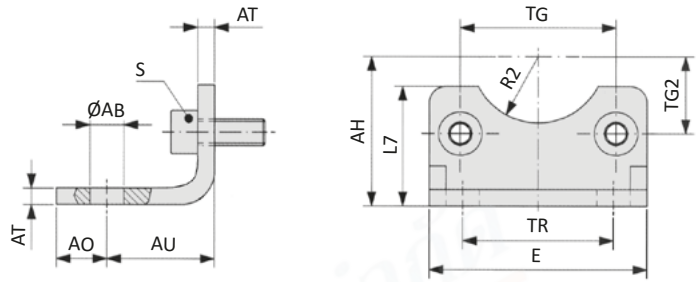
Piston-Ø	KK	L1	L2	L3	L8	PL	RT	TG	VA	WH
32	M6	4	15	5	100	12	M6	32,5	4	28
40	M8	4	15	5	114	13	M6	38	4	28
50	M8	5	18	5	116	14	M8	46,5	4	35
63	M10	5	22	5	124	14	M8	56,5	4	37

Piston-Ø (mm)		32	40	50	63
Weight	0 mm stroke	0,744	1,121	1,641	2,678
(kg)	each 100 mm stroke	0,277	0,370	0,464	0,669

Mounting of accessories XLB-xxx-yy



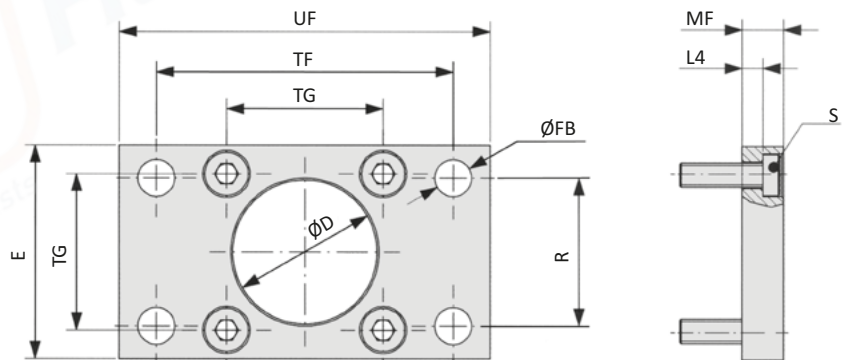
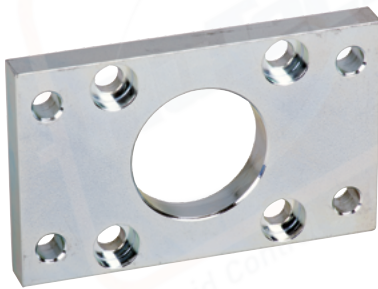
XLB-xxx-01 Foot mount



Model-no.:	Ø AB	AH	AO	AU	AT	E	L7	R2	S	TG	TG2	TR
XLB-032-01	7	32	11	24	4	45	30	15	M6 x 16	32,5	16,25	32
XLB-040-01	10	36	8	28	4	52	30	17,5	M6 x 16	38	19	36
XLB-050-01	10	45	15	32	5	65	36	20	M8 x 20	46,5	23,25	45
XLB-063-01	10	50	13	32	5	75	35	22,5	M8 x 20	56,5	28,25	50
<i>tolerances and adjustments</i>	H14	JS16		± 0,2				H15		± 0,2 *± 0,3		JS14

Material: steel, zinc plated; 2 x 2 screws in accordance with EN ISO 4762 are included.

XLB-xxx-02 Flange mount



Model-no.:	Ø D	E	Ø FB	L4	MF	R	S	TF	TG	UF
XLB-032-02	30	45	7	5	10	32	M6 x 20	64	32,5	80
XLB-040-02	35	52	9	5	10	36	M6 x 20	72	38	90
XLB-050-02	40	65	9	6,5	12	45	M8 x 20	90	46,5	110
XLB-063-02	45	75	9	6,5	12	50	M8 x 20	100	56,5	120
<i>tolerances and adjustments</i>	H11		H13	- 0,5	JS14	JS14		JS14	± 0,2 *± 0,3	

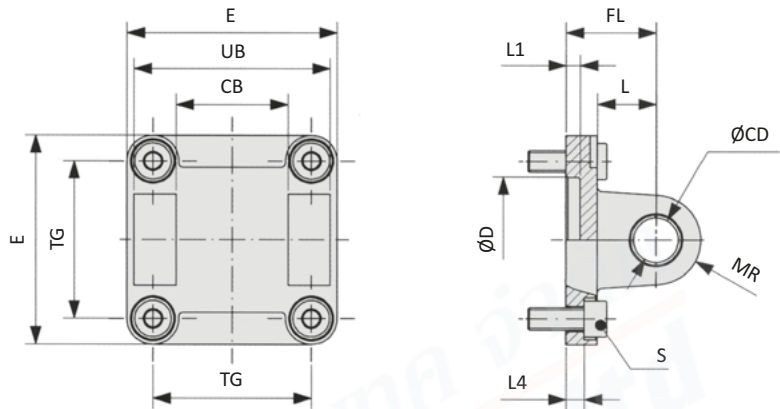
Material: steel, zinc plated; 4 screws in accordance with DIN 7984 are included.

Series XL Mounting accessories

XLB-xxx-04 Clevis mount with bushing



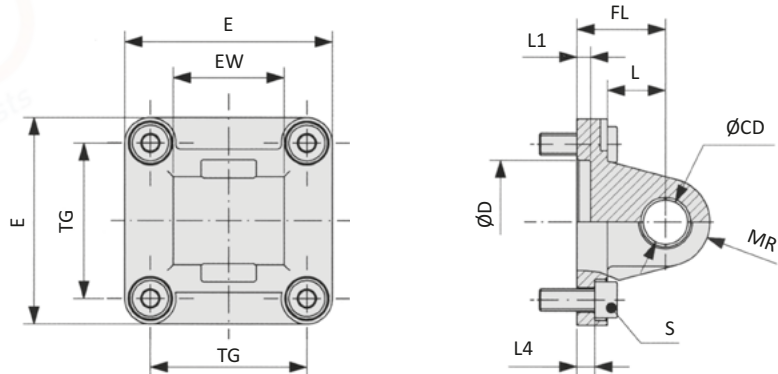
Inclusive clevis pin
order no: XLB-xxx-48



Model-no.:	CB	Ø CD	Ø D	E	FL	L	L1	L4	MR	S	TG	UB
XLB-032-04	26	10	30	45	22	13	5	5,5	10	M6 x 20	32,5	45
XLB-040-04	28	12	35	52	25	16	5	5,5	12	M6 x 20	38	52
XLB-050-04	32	12	40	65	27	16	5	6,5	12	M8 x 20	46,5	60
XLB-063-04	40	16	45	75	32	21	5	6,5	16	M8 x 20	56,5	70
<i>tolerances and adjustments</i>	H14	H9	H11			± 0,2		± 0,5			± 0,2 *± 0,3	h13

Materials: Al, bushing steel and PTFE; 4 screws in accordance with EN ISO 4762 are included.

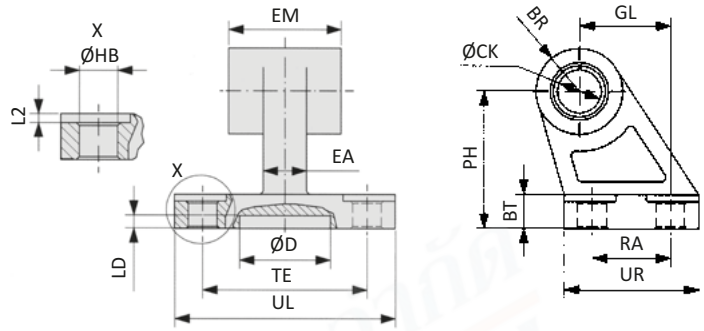
XLB-xxx-05 Swivel mount



Model-no.:	Ø CD	Ø D	E	EW	FL	L	L1	L4	MR	S	TG
XLB-032-05	10	30	45	26	22	13	5	5,5	10	M6 x 20	32,5
XLB-040-05	12	35	52	28	25	16	5	5,5	12	M6 x 20	38
XLB-050-05	12	40	65	32	27	16	5	6,5	12	M8 x 20	46,5
XLB-063-05	16	45	75	40	32	21	5	6,5	16	M8 x 20	56,5
<i>tolerances and adjustments</i>	H9	H11				± 0,2		± 0,5			± 0,2 *± 0,3

Materials: Al, bushing steel and PTFE; 4 screws in accordance with EN ISO 4762 are included.

XLB-xxx-06 Swivel mount 90°



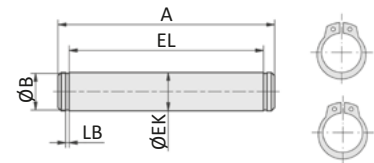
Model-no.:	BR	BT	ØCK	Ø D	EA	EM	GL	ØHB	L2	LD	PH	RA	TE	UL	UR
XLB-032-06	10	8	10	21	10	26	21	6,6	1,6	3	32	18	38	51	31
XLB-040-06	11	10	12	21	15	28	24	6,6	1,6	3	36	22	41	54	35
XLB-050-06	13	12	12	21	16	32	33	9	1,6	3	45	30	50	65	45
XLB-063-06	15	14	16	21	16	40	37	9	1,6	3	50	35	52	67	50

tolerances and adjustments

H9 JS14 H13 JS15 JS14 JS14

Materials: Al, bushing steel and PTFE

XLB-xxx-08 Clevis pin



Model-no.:	A	Ø B	Ø EK	EL	LB
XLB-032-08	53	9,6	10	46	1,1
XLB-040-08	60	11,5	12	53	1,1
XLB-050-08	68	11,5	12	61	1,1
XLB-063-08	78	15,2	16	71	1,1

tolerances and adjustments

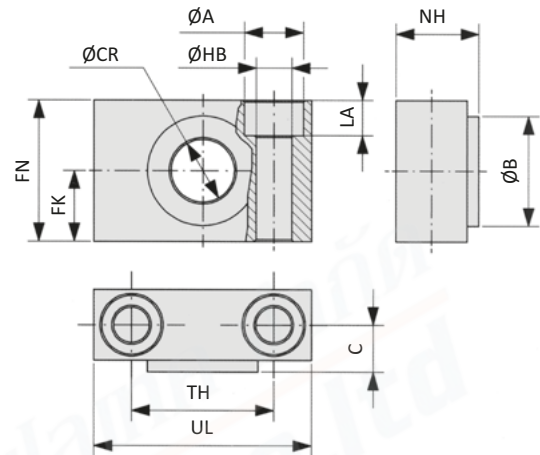
e8 +2 *+3

Material: steel, zinc plated; 2 snap rings are included.

Series XL

Mounting accessories

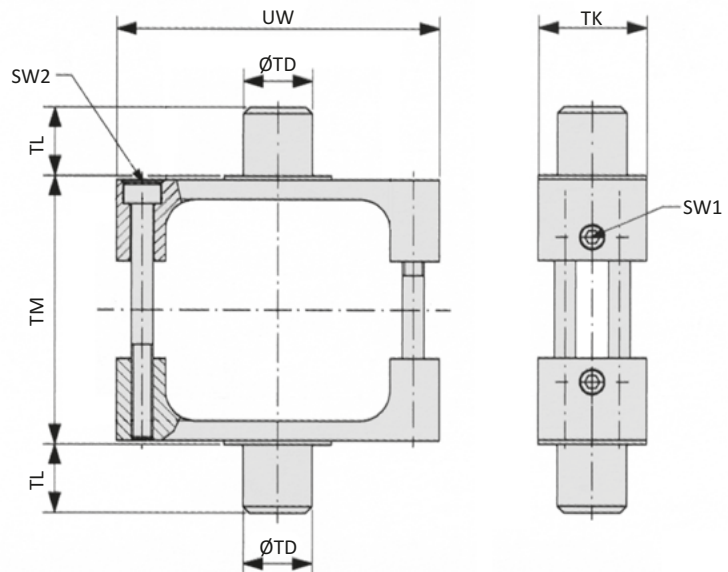
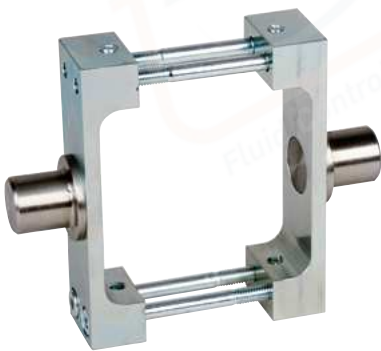
XLB-xxx-09 Bearing block



Model-no.:	Ø A	Ø B	C	Ø CR	FK	FN	Ø HB	LA	NH	TH	UL
XLB-032-09	11	22	10,5	12	15	30	6,6	7	18	32	46
XLB-040-09	15	28	12	16	18	36	9	9	21	36	55
XLB-063-09	18	32	13	20	20	40	11	11	23	42	65
<i>tolerances and adjustments</i>				H9	± 0,1		H13			± 0,2	

Materials: Al, bronze bushing

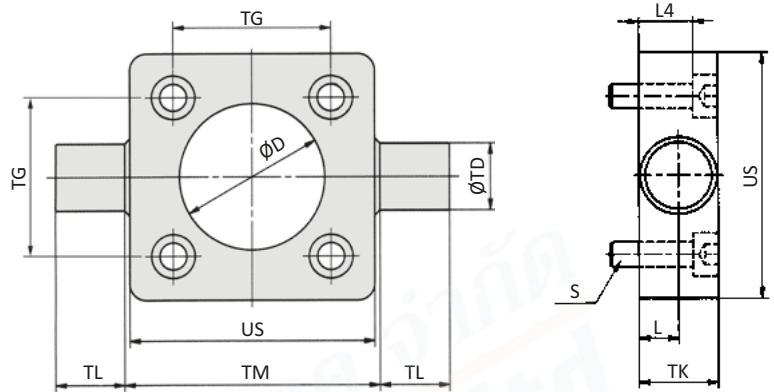
XLB-xxx-10 Trunnion mount



Model-no.:	SW1	SW2	Ø TD	TK	TL	TM	UW
XLB-032-10	3	2,5	12	25	12	50	65
XLB-040-10	3	3	16	25	16	63	75
XLB-050-10	3	4	16	30	16	75	95
XLB-063-10	3	4	20	30	20	90	105
<i>tolerances and adjustments</i>			e9		h14	h14	

Material: steel, zinc plated

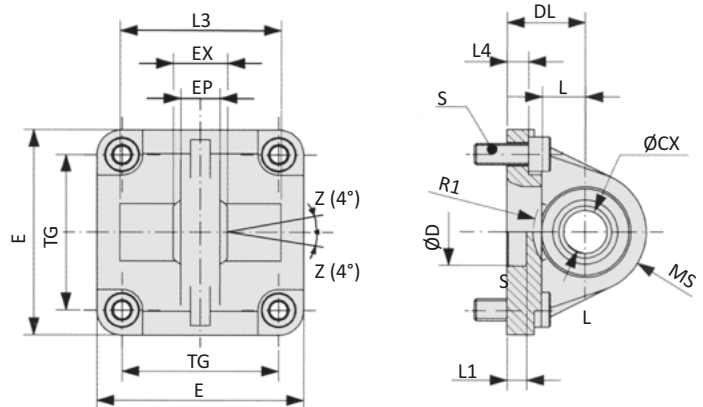
XLB-xxx-11 Trunnion mount



Model-no.:	Ø D	L	L4	S	Ø TD	TG	TK	TL	TM	US
XLB-032-11	30	6,5	8	M6 x 20	12	32,5	14	12	50	46
XLB-040-11	35	9	13	M6 x 25	16	38	19	16	63	59
XLB-050-11	40	9	11	M8 x 25	16	46,5	19	16	75	69
XLB-063-11	45	11,5	16	M8 x 30	20	56,5	24	20	90	84
<i>tolerances and adjustments</i>	H 11	+ 0,2			e9	± 0,2		h14	h14	

Material: steel, zinc plated; 4 screws in accordance with EN ISO 4762 are included.

XLB-xxx-12 Swivel mount with spherical bearing



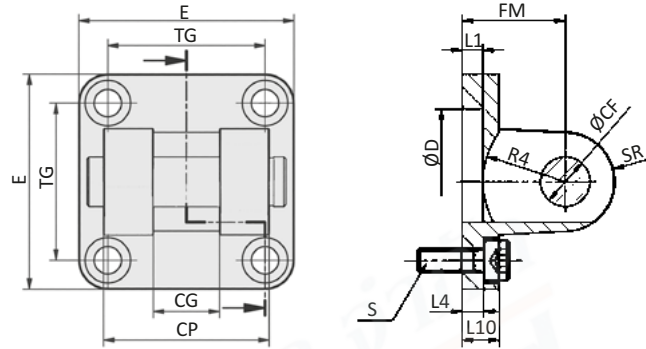
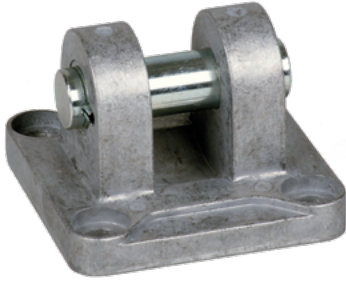
Model-no.:	Ø CX	Ø D	DL	E	EP	EX	L	L1	L3	L4	MS	R1	S	TG
XLB-032-12	10	30	22	45	10,5	14	12	7	-	5,5	16	-	M6 x 20	32,5
XLB-040-12	12	35	25	52	12	16	15	7	-	5,5	18	-	M6 x 20	38
XLB-050-12	16	40	27	65	15	21	15	7	51	6,5	21	19	M8 x 20	46,5
XLB-063-12	16	45	32	75	15	21	20	7	-	6,5	23	-	M8 x 20	56,5
<i>tolerances and adjustments</i>	H7	H11	± 0,2			± 0,1				± 0,5				± 0,2 *± 0,3

Materials: Al, bearing steel, bronze bushing; 4 screws in accordance with EN ISO 4762 are included.

Series XL

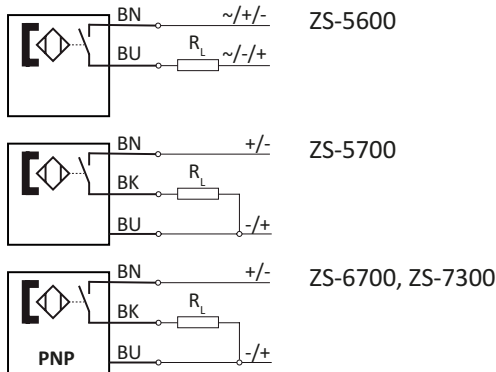
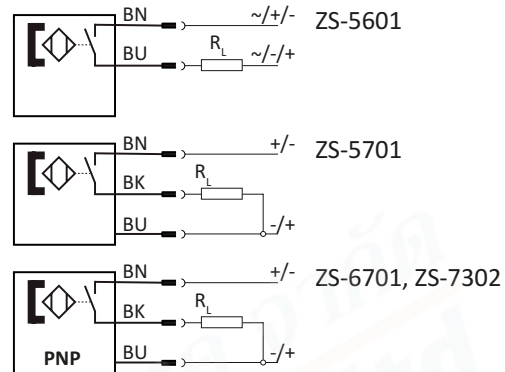
Mounting accessories

XLB-xxx-14 Clevis mount small with pin



Model-no.:	Ø CF	CG	CP	Ø D	E	FM	L1	L4	L10	R4	S	SR	TG
XLB-032-14	10	14	34	30	45	22	5	5,5	9	17	M6 x 20	10	32,5
XLB-040-14	12	16	40	35	52	25	5	5,5	9	20	M6 x 20	12	38
XLB-050-14	16	21	45	40	65	27	5	6,5	11	22	M8 x 20	14	46,5
XLB-063-14	16	21	51	45	75	32	5	6,5	11	25	M8 x 20	18	56,5
<i>tolerances and adjustments</i>	F7	D10	d12	H11		± 0,2		± 0,5					± 0,2 *± 0,3

Materials: Al, bushing steel and PTFE, clevis pin steel, zinc plated; 4 screws in accordance with EN ISO 4762 are included.

Proximity sensors with cable

Proximity sensors with plug

Technical data

Model-no.:	ZS-5600	ZS-5601	ZS-5700	ZS-5701
Design	2-pole Reed sensor	2-pole Reed sensor	3-pole Reed sensor	3-pole Reed sensor
Contact function	NO	NO	NO	NO
Rated operational voltage	5 ... 240 V AC / DC	5 ... 60 V AC / DC	5 ... 30 V DC	5 ... 30 V DC
Rated operational current I_E	3 ... 100 mA	3 ... 100 mA	≤ 500 mA	≤ 500 mA
Max. voltage drop at I_E	≤ 2.5	≤ 2.5	≤ 0.1	≤ 0.1
Breaking capacity	10 W	10 W	10 W	10 W
Cable length	3 m	0.3 m with M8 connection	5 m	0.3 m with M8 connection
Temperature range	-10 ... +70°C	-10 ... +70°C	-10 ... +70°C	-10 ... +70°C
Protection	IP 67	IP 67	IP 67	IP 67
Switching status indication	LED red	LED red	LED yellow	LED yellow

Model-no.:	ZS-6700	ZS-6701	ZS-7300	ZS-7302
Design	3-pole inductive	3-pole inductive	3-pole inductive	3-pole inductive
Contact function	NO	NO	NO	NO
Output	PNP	PNP	PNP	PNP
Rated operational voltage	5 ... 30 V DC	5 ... 30 V DC	10 ... 30 V DC	10 ... 30 V DC
Rated operational current I_E	≤ 200 mA	≤ 200 mA	≤ 100 mA	≤ 100 mA
Max. voltage drop at I_E	≤ 1.0	≤ 1.0	≤ 2.5	≤ 2.5
Breaking capacity	6 W	6 W	3 W	3 W
Cable length	3 m	0.3 m with M8 connection	6 m	0.3 m with M12 connection
Temperature range	-10 ... +70°C	-10 ... +70°C	-20 ... +60°C	-20 ... +60°C
Protection	IP 67	IP 67	IP 67	IP 67
Switching status indication	LED green	LED green	LED yellow	LED yellow
	-	-	II 3G Ex nA T4 II 3D Ex tD A22 IP67 T 125°C	II 3D Ex tc IIIC T125°C Dc X

Series ZS

Proximity sensors

Cable with socket for proximity sensors

Model-no.:	KA-30	KA-50	KA-51	KA-100	KA-101
Connection	M8, snap-in	M8, snap-in	M8, snap-in	M8, snap-in	M8, snap-in
Version	straight	straight	elbow 90°	straight	elbow 90°
Cable length	3 m	5 m	5 m	10 m	10 m

Mounting

The sensors are mounted at the groove of the cylinder profile. It is fixed by turning the fixing screw at the sensor clockwise. The cover stripe XLB-011 (see below) can be used for protecting the sensor cable.

Cover for sensor groove

Model-no.:	XLB-011
Design	plastic profile, 50 cm length, blue
For series	XL, NXD, NXE, NYD, NYE, NYSE, LX

