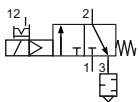


# 3/2-way inline valve VMX

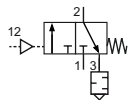
## Technical details

<b>Temperature range</b>	-10°C ... +60°C
<b>Input range</b>	electrically operated: 2 ... 10 bar pneumatically operated: max. 16 bar
<b>Mounting</b>	arbitrary
<b>Medium</b>	compressed air according to ISO 8573-1:2010, neutral gases
<b>Materials</b>	Body: zinc diecasting, seals: NBR, inner parts: zinc coated steel, stainless steel and brass
<b>Schutzart</b>	IP 65 according to EN 60529

3/2-way poppet valve, electrically or pneumatically operated.  
Silencer is mounted in exhaust.  
Plug socket is included.



electrically operated  
3/2-way, single solenoid, mechanical  
spring return, NC



pneumatically operated  
3/2-way, single pilot, mechanical  
spring return, NC

## Order code

Series		Versions	
Connection / Size		Digit 4	Version
14	G1/4 / X1	A	24 V DC, 3 W
12	G1/2 / X2	D	115 V AC, 7.9 VA
		E	230 V AC, 7.9 VA
		F	pneumatically operated

**VMX-\*\*-00-0-000\***

## Technical data

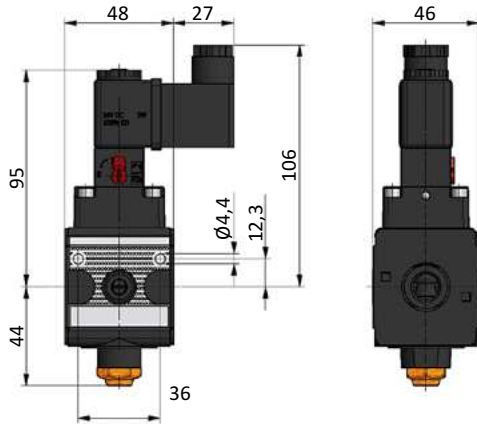
Model-no.:	VMX-14-...	VMX-12-...
<b>Connection</b>	G1/4	G1/2
<b>Size</b>	X1	X2
<b>Flow (1-2 in NI/min)</b>	1150	4000
<b>Weight(Version A-E) (kg)</b>	0.46	1.04
<b>Weight(Version F) (kg)</b>	0.38	0.97

# 3/2-way inline valve VMX

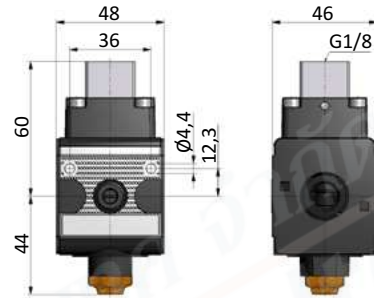


## Dimensions

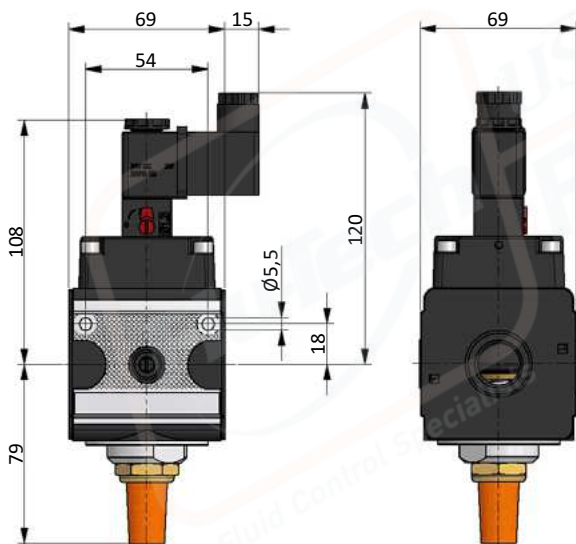
### Size X1, electrically operated



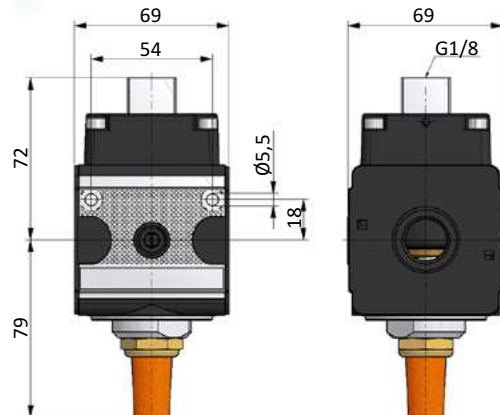
### Size X1, pneumatically operated



### Size X2, electrically operated

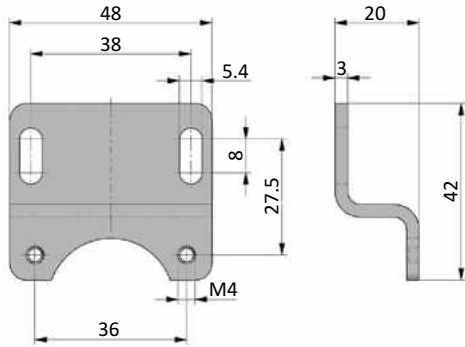
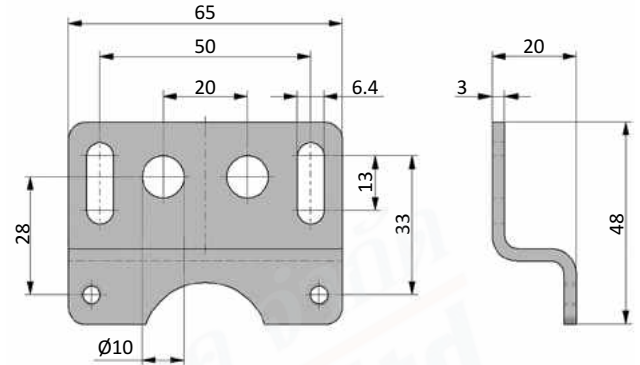


### Size X2, pneumatically operated



**Mounting brackets WX**

Mounting brackets made of zinc coated steel.

**WX-11**

**WX-33**

**Coupling kits KPX**
**KPX-11**

**KPX-33**
