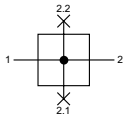


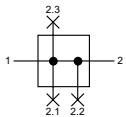
Distributor block TY

Technical details

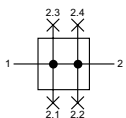
Temperature range	-10°C ... +50°C
Input range	max. 16 bar (size Y0 max. 12 bar)
Mounting	arbitrary
Medium	compressed air according to ISO 8573-1:2010, neutral gases
Materials	Body: Grivory (PA66), seals: NBR, inner parts: plastic and brass



Distributor block, 2 outlets
Series TY-04, TY-34, TY-10



Distributor block, 3 outlets
Series TY-14, TY-37



Distributor block, 4 outlets
Series TY-38, TY-12

Order code

Series	TY-**-00-0-0001
Connection / Size	
04	G1/4 / Y0
14	G1/4 / Y1
37	G3/8 / Y1
38	G3/8 / Y2
12	G1/2 / Y2
34	G3/4 / Y3
10	G1 / Y3

Distributor block TY

Technical data

Model-no.:	TY-04-...	TY-14-...	TY-37-...	TY-38-...	TY-12-...	TY-34-...	TY-10-...
Connection	G1/4	G1/4	G3/8	G3/8	G1/2	G3/4	G1
Size	Y0	Y1	Y1	Y2	Y2	Y3	Y3
Connection 2.1 (bottom)	G1/4	G1/4	G1/4	G3/8	G3/8	G3/4	G3/4
Connection 2.2 (top)	G1/4	G1/4	G1/4	G1/4	G1/4	G3/4	G3/4
Connection 2.3 (front)	-	G1/4	G1/4	G3/8	G3/8	-	-
Connection 2.4 (backward)	-	-	-	G3/8	G3/8	-	-
Flow (1-2 in NI/min)	2300	2700	2700	7250	7250	18000	18000
Flow (1-2.1 in NI/min)	950	2000	2000	5500	5500	12000	12000
Flow (1-2.2 in NI/min)	2000	2000	2000	22500	22500	8500	8500
Flow (1-2.3 in NI/min)	-	900	900	2300	2300	-	-
Flow (1-2.4 in NI/min)	-	-	-	2300	2300	-	-
Weight (kg)	0.10	0.19	0.17	0.35	0.33	0.88	0.82

Accessories

Coupling kits for wall mounting KPY-W



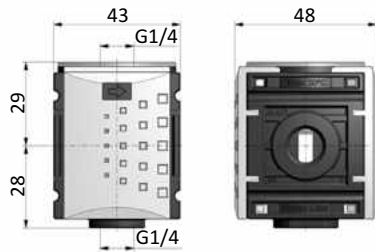
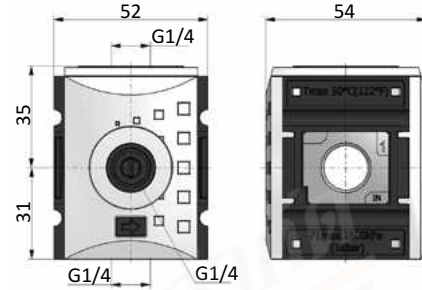
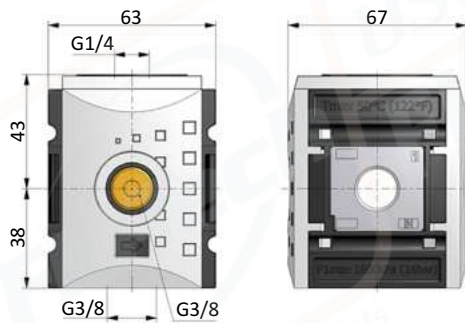
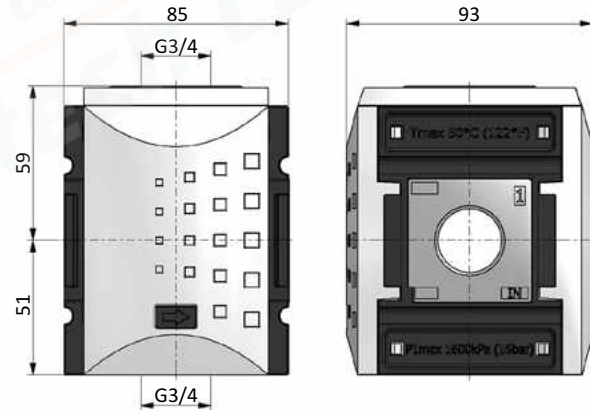
Coupling kits KPY-K



Mounting brackets WYP



Details: see page 04

Dimensions
Size Y0

Size Y1

Size Y2

Size Y3


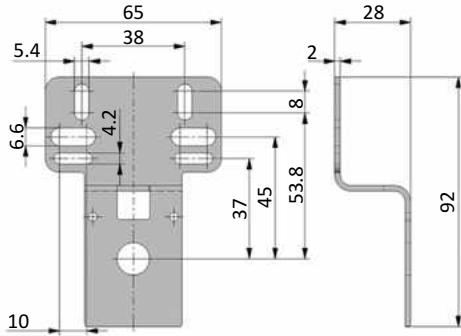
Fastening elements

Bracket kit WYP

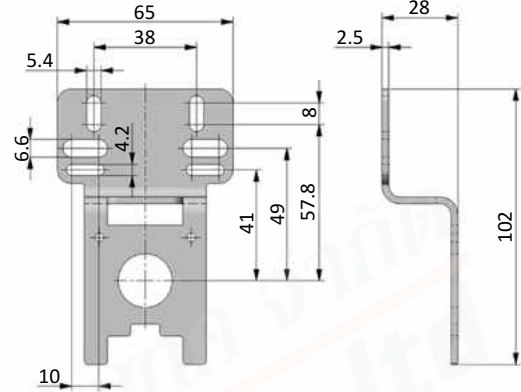
Bracket kit made of zinc coated steel.

The bracket can be mounted at the rear side after removing the rear cover of the unit. The 2 mounting screws are included.

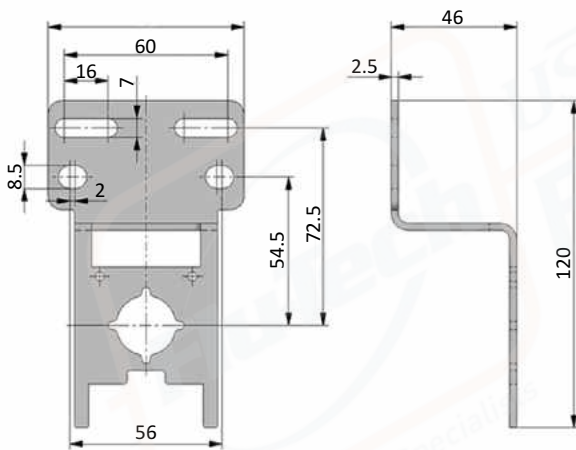
WYP-00



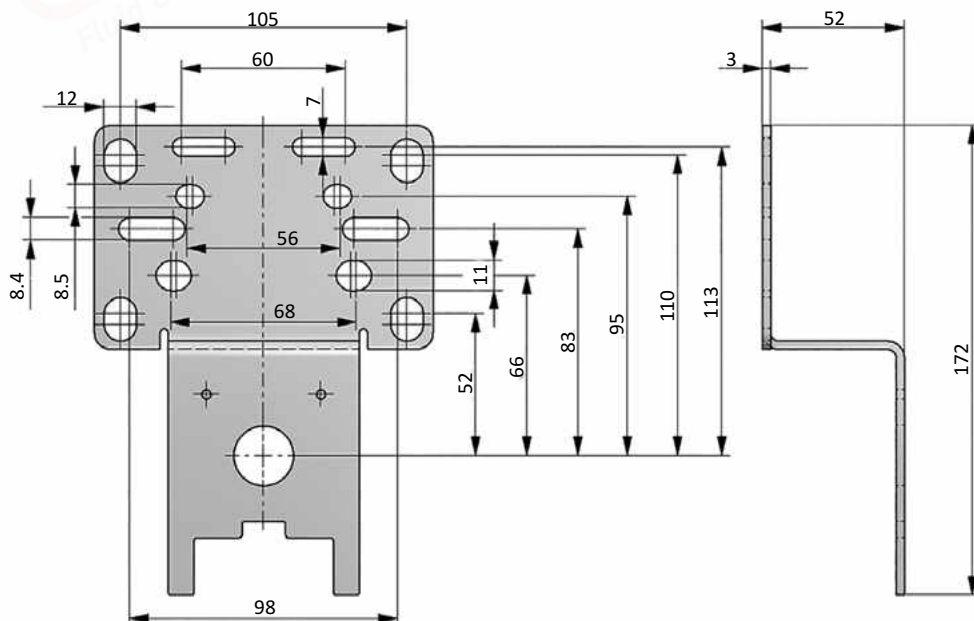
WYP-01



WYP-02



WYP-03



Coupling kits KPY-K

KPY-00-K, KPY-01-K



KPY-02-K



KPY-03-K

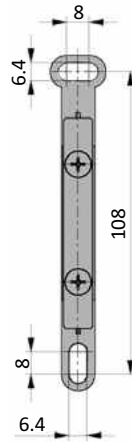


Coupling kits for wall mounting KPY-W

KPY-00-W, KPY-01-W



KPY-02-W



KPY-03-W

