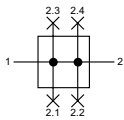


## Technical details

<b>Temperature range</b>	-10°C ... +60°C
<b>Input range</b>	max. 16 bar
<b>Mounting</b>	arbitrary
<b>Medium</b>	compressed air according to ISO 8573-1:2010, neutral gases
<b>Materials</b>	Body: zinc diecasting, seals: NBR, inner parts: plastic and brass



Distributor block, 4 outlets

## Order code

TX-**-00-0-000*		Versions	
Series	Connection / Size	Digit 4	Width
14	G1/4 / X1	1	standard
37	G3/8 / X1	3	small (only for G1/4 and G1/2)
12	G1/2 / X2		
34	G3/4 / X2		

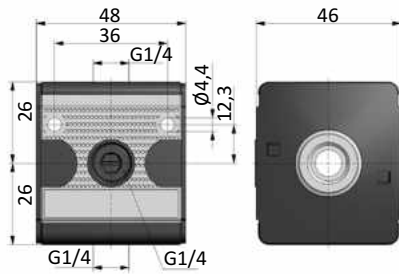
## Technical data

Model-no.:	TX-14-00-0-0001	TX-14-00-0-0003	TX-37-00-0-0001	TX-12-00-0-0001	TX-12-00-0-0003	TX-34-00-0-0001
<b>Connection</b>	G1/4	G1/4	G3/8	G1/2	G1/2	G3/4
<b>Size</b>	X1	X1	X1	X2	X2	X2
<b>Connection 2.1 (unten)</b>	G1/4	G1/4	G1/4	G1/2	G3/8	G1/2
<b>Connection 2.2 (oben)</b>	G1/4	G1/8	G1/4	G1/2	G1/8	G1/2
<b>Connection 2.3 (vorne)</b>	G1/4	G1/4	G1/4	G1/4	G1/4	G1/4
<b>Connection 2.4 (hinten)</b>	G1/4	G1/4	G1/4	G1/4	G1/4	G1/4
<b>Flow (1-2 in NI/min)</b>	2500	3300	2500	11000	11000	11000
<b>Flow (1-2.1 in NI/min)</b>	2000	2300	2000	8750	3450	8750
<b>Flow (1-2.2 in NI/min)</b>	2000	1100	2000	8750	1400	8750
<b>Flow (1-2.3 in NI/min)</b>	900	2300	900	1300	3100	1300
<b>Flow (1-2.4 in NI/min)</b>	900	2300	900	1300	3100	1300
<b>Weight (kg)</b>	0.32	0.19	0.28	0.66	0.36	0.66

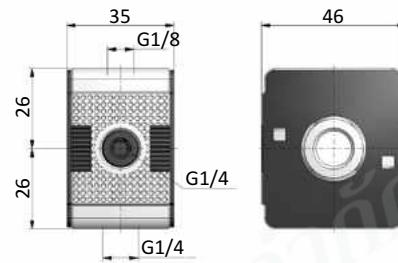
# Distributor block TX

## Dimensions

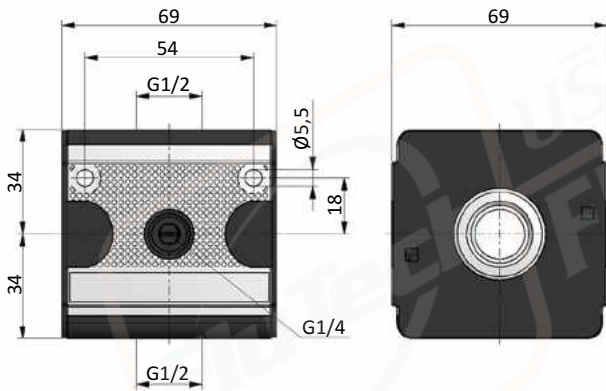
### Size X1



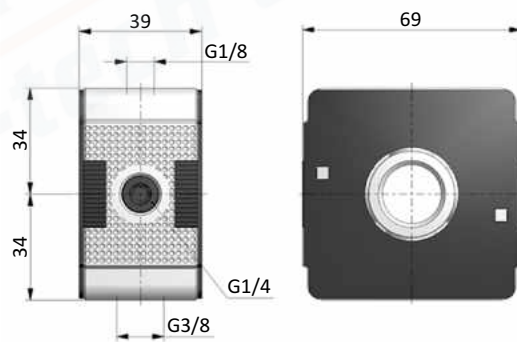
### Size X1, small



### Size X2

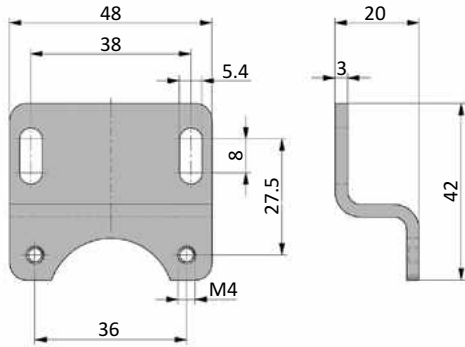
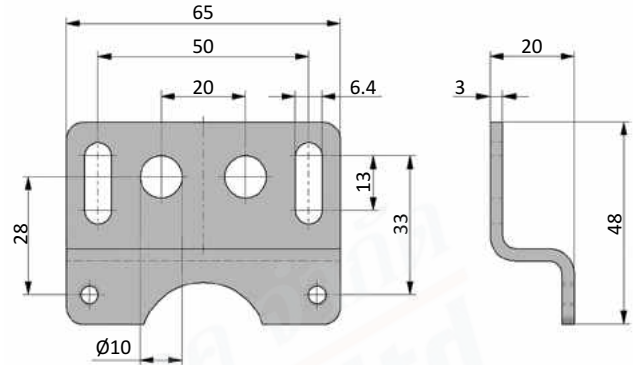


### Size X2, small



**Mounting brackets WX**

Mounting brackets made of zinc coated steel.

**WX-11**

**WX-33**

**Coupling kits KPX**
**KPX-11**

**KPX-33**
