

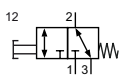
Technical details

Connection	G1/8
Nominal size	4 mm
Temperature range	-10°C ... +70°C
Medium	Filtered, oil-free and dried compressed air according to ISO 8573-1:2010, Class 7:2:4, instrument air, free of aggressive additives. Differing the pressure dew point must be at least 10°C below lowest occurring ambient temperature.
Materials	Body: Al (anodized), seals: NBR, inner parts: Al, stainless steel and brass,

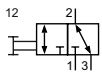


Manually operated spool valve.

3/2-way-Valves

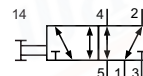


TK-28-311
3/2-way, mechanical spring return, actuator push button



TK-28-320
3/2-way, two positions, actuator pull/push button

5/2-way-Valves



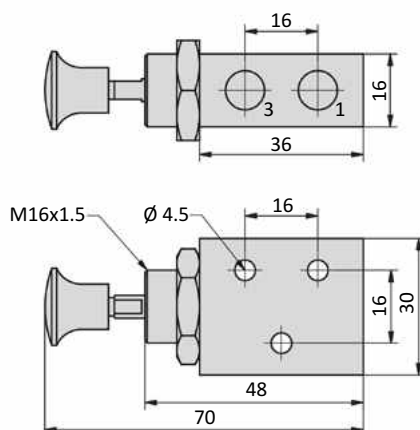
TK-28-520
5/2-way, two positions, actuator pull/push button

Technical data

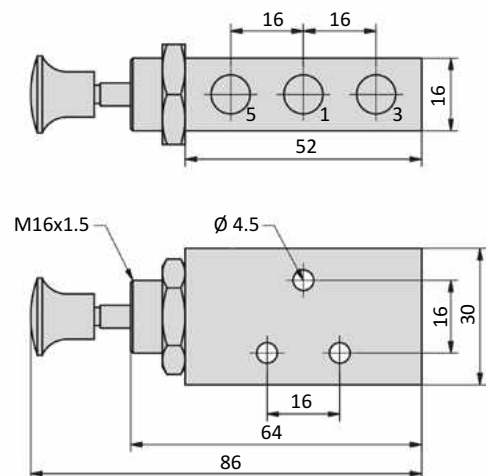
Model-no.:	TK-28-311	TK-28-320	TK-28-520
Operating pressure (bar)	2 ... 10	2 ... 10	2 ... 10
Flow rate (l/min)	500	500	480
Actuating force at 6 bar (N)	11	3	4
Weight (kg)	0.061	0.061	0.078

Dimensions

TK-28-3xx



TK-28-520



- 1 = pressure inlet
- 2,4 = outlets
- 3,5 = exhausts