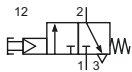


Technical details

| | |
|--------------------------|---|
| Connection | G1/8 |
| Nominal size | 3 mm |
| Temperature range | -10°C ... +70°C |
| Medium | Filtered, oil-free and dried compressed air according to ISO 8573-1:2010, Class 7:2:4, instrument air, free of aggressive additives. Differing the pressure dew point must be at least 10°C below lowest occurring ambient temperature. |
| Materials | Body: Al (anodized), seals: NBR and POM, inner parts: Al, stainless steel and brass |



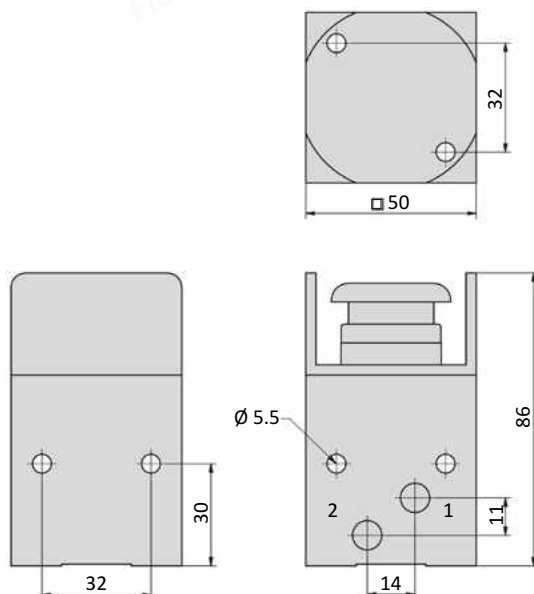
Servo-operated spool valve with low actuating force. The actuating is constantly pilot air supported and is venting* in resting position on a small amount of air. *(through a gap between holder and body)

3/2-way-Valves


ST-18-310
3/2-way, mechanical spring return,
actuator push button

Technical data

| | |
|-------------------------------------|-----------|
| Model-no.: | ST-18-310 |
| Operating pressure (bar) | 3 ... 10 |
| Flow rate (NI/min) | 220 |
| Actuating force at 6 bar (N) | 3.5 |
| Air consumption (NI/min) | 2.5 |
| Weight (kg) | 0.400 |

Dimensions
ST-18-310


- 1 = pressure inlet
2 = outlets