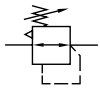


Precision pressure regulator RYP

Technical details

Temperature range	-10°C ... +50°C
Input range	max. 16 bar
Mounting	arbitrary
Medium	compressed air according to ISO 8573-1:2010, neutral gases
Materials	Body: Grivory (PA66) and POM, seals: NBR, inner parts: zinc coated steel, stainless steel and brass

Precision pressure regulator with diaphragm and relieving feature.
Locking: rotary lock and padlock possible.



Order code

RYP-***-**-0-00*1		Series	Versions
Digit 1	Digit 2	Connection / Size	Digit 3 Gauge, flow direction
14	37	G1/4 / Y1	0 without gauge, flow from left to right (standard)
38	12	G3/8 / Y1	1 without gauge, flow from right to left
10		G3/8 / Y2	2 with gauge, flow from left to right
16		G1/2 / Y2	3 with gauge, flow from right to left
		Output range	
		01 0.1 ... 1 bar	
		02 0.1 ... 2 bar	
		04 0.2 ... 4 bar	
		08 0.5 ... 8 bar	
		10 0.5 ... 10 bar (standard)	
		16 0.5 ... 16 bar	

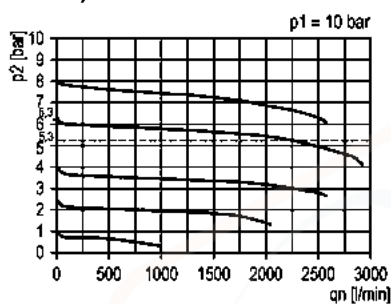
Precision pressure regulator RYP

Technical data

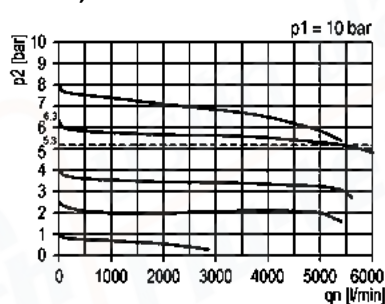
Model-no.:	RYP-14-...	RYP-37-...	RYP-38-...	RYP-12-...
Connection	G1/4	G3/8	G3/8	G1/2
Size	Y1	Y1	Y2	Y2
Flow (NI/min)	2200	2200	5000	5000
Internal air consumption	max. 2.6 l/min	max. 2.6 l/min	max. 2.6 l/min	max. 2.6 l/min
Weight (kg)	0.30	0.29	0.51	0.49

Flow characteristic

RYP-14, RYP-37

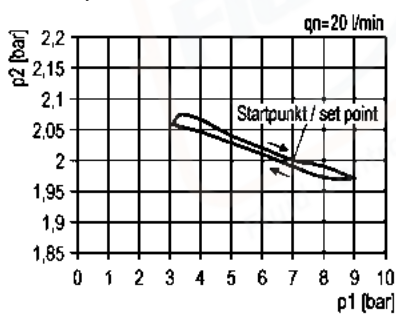


RYP-38, RYP-12

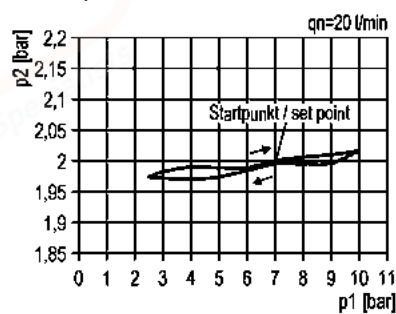


Hysterese

RYP-14, RYP-37



RYP-38, RYP-12



Accessories

Mounting brackets WYL



Mounting brackets WYP



Coupling kits for wall mounting KPY-W



Coupling kits KPY-K



Mounting nut RMY

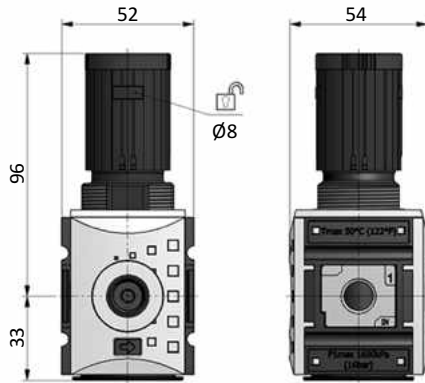


Details: see page 04

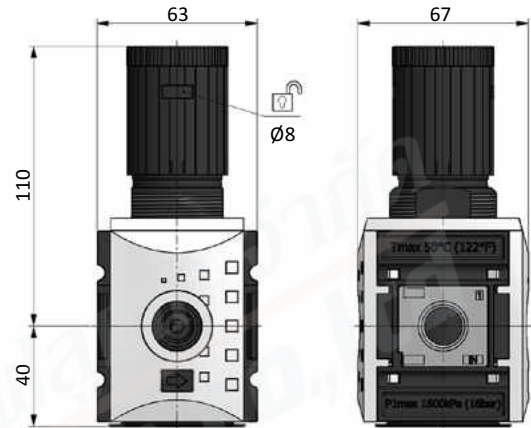
Precision pressure regulator RYP

Dimensions

Size Y1



Size Y2



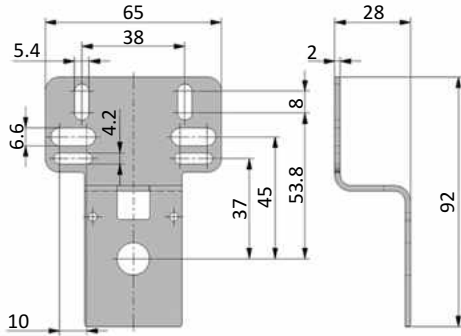
Fastening elements

Bracket kit WYP

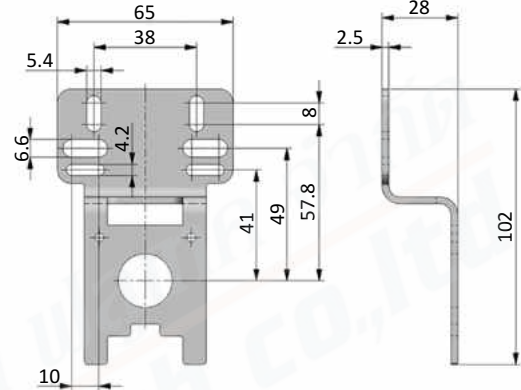
Bracket kit made of zinc coated steel.

The bracket can be mounted at the rear side after removing the rear cover of the unit. The 2 mounting screws are included.

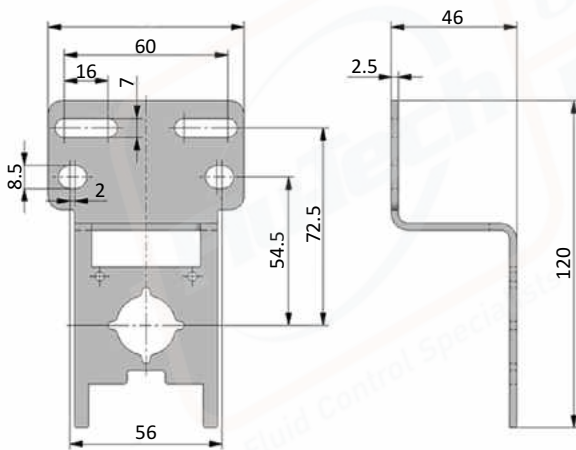
WYP-00



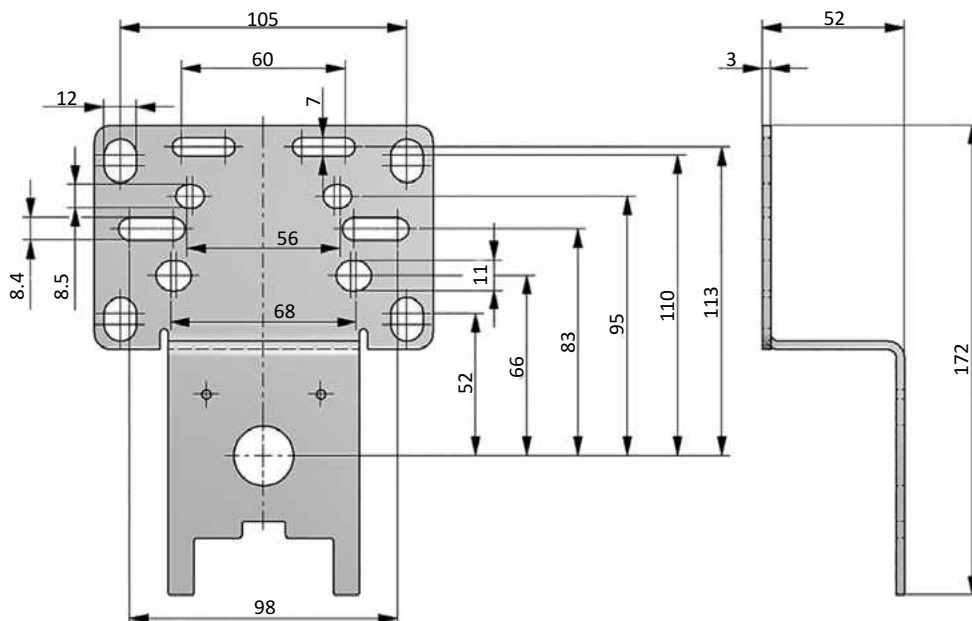
WYP-01



WYP-02

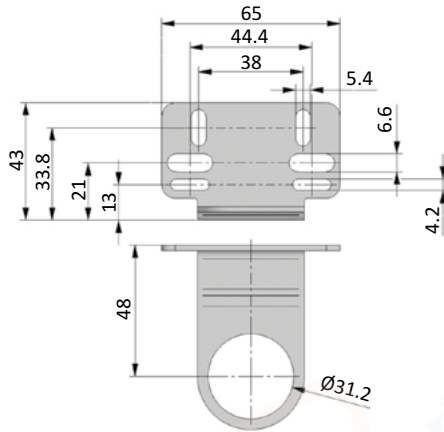
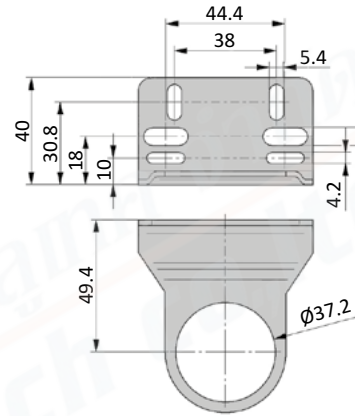
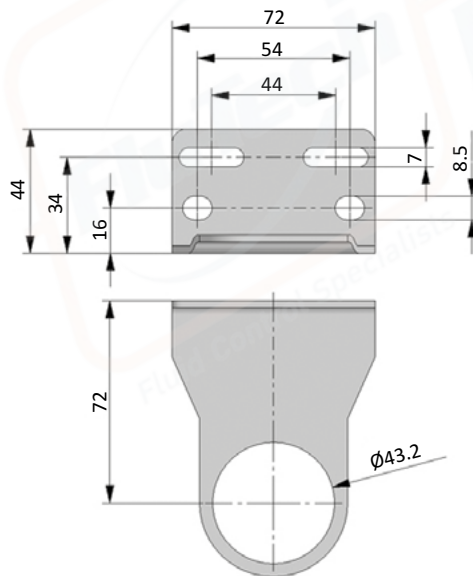


WYP-03

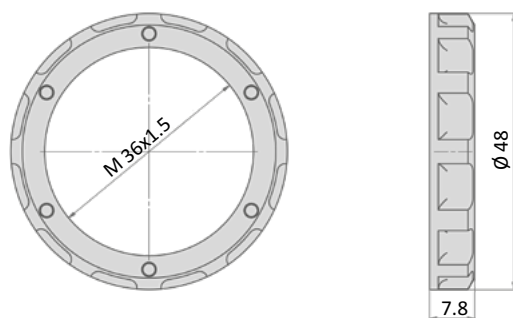
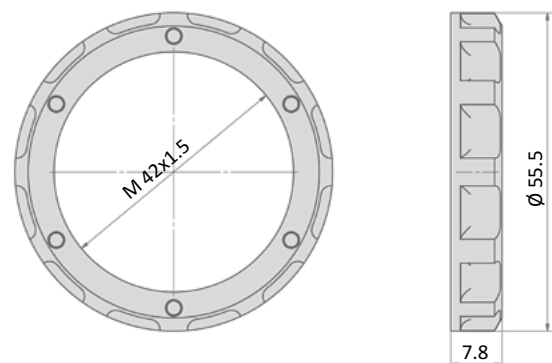


Mounting brackets WYL

Mounting brackets made of zinc coated steel. Assembling with mounting nut (not included).

WYL-00

WYL-01

WYL-02

Mounting nut RMY

Mounting nut made of plastic.

RMY-01

RMY-02


Coupling kits

Coupling kits KPY-K

KPY-00-K, KPY-01-K



KPY-02-K

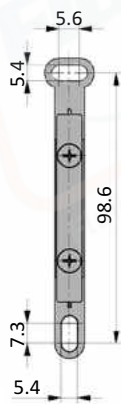
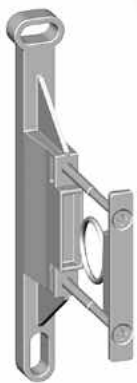


KPY-03-K

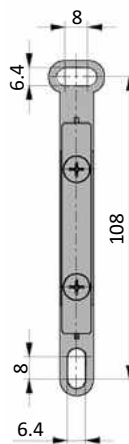


Coupling kits for wall mounting KPY-W

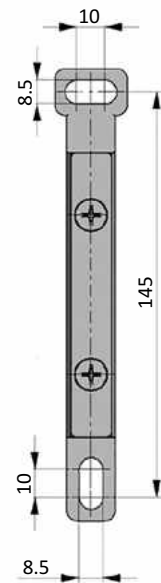
KPY-00-W, KPY-01-W



KPY-02-W



KPY-03-W



Technical details

Temperature range	-20°C ... +60°C
Accuracy class	2.5 according to EN 837-1
Application	Constant load: 3/4 x scale value Alternating load: 2/3 x scale value
Materials	Body: ABS, black Window: plastic, clear, clipped-on Dial: plastic, white with stop pin Scale black (psi) and blue (bar)
Temperature drift	± 0.4% / 10 K if deviation from normal temperature (+ 20°C)



Bourdon tube pressure gauge (EN 837-1), pressure connection rear.



Order code

Series		Connection	
40 40 mm		18 G1/8	
50 50 mm		14 G1/4	
63 63 mm			
Range			
06 0 ... 6 bar			
10 0 ... 10 bar			
16 0 ... 16 bar			

MXA--***-*****

Technical data

Model-no.:	MXA-50-06-14		MXA-50-10-14		MXA-50-16-14	
Connection	G1/4		G1/4		G1/4	
Standard for series	-		-		X1. X2. Y1. Y2	
Range	0 ... 6 bar		0 ... 10 bar		0 ... 16 bar	
Weight (kg)	0.071		0.071		0.071	

Model-no.:	MXA-40-06-18	MXA-40-10-18	MXA-40-16-18	MXA-63-06-14	MXA-63-10-14	MXA-63-16-14
Connection	G1/8	G1/8	G1/8	G1/4	G1/4	G1/4
Standard for series	-	-	K. RD	-	-	Y3
Range	0 ... 6 bar	0 ... 10 bar	0 ... 16 bar	0 ... 6 bar	0 ... 10 bar	0 ... 16 bar
Weight (kg)	0.071	0.071	0.071	0.080	0.080	0.080