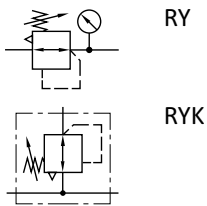


Technical details

Temperature range	-10°C ... +50°C
Input range	max. 16 bar (size Y0 max. 12 bar)
Mounting	arbitrary
Medium	compressed air according to ISO 8573-1:2010, neutral gases
Materials	Body: Grivory (PA66) and POM, seals: NBR, inner parts: zinc coated steel, stainless steel and brass

Pressure regulator with diaphragm and relieving feature.
Locking: rotary lock and padlock possible.



Order code

RY-**-**-0-00*1		Series	Versions
RY	standard	Series	Digit 3 Gauge, flow direction
RYK	with continuous pressure supply	Connection / Size	0 without gauge, flow from left to right
		04 * G1/4 / Y0	1 without gauge, flow from right to left
		14 G1/4 / Y1	2 with gauge, flow from left to right (standard)
		37 G3/8 / Y1	3 with gauge, flow from right to left
		38 G3/8 / Y2	
		12 G1/2 / Y2	
		34 G3/4 / Y3	
		10 G1 / Y3	
		Output range	
		04 0.2 ... 4 bar	
		08 0.5 ... 8 bar	
		10 0.5 ... 10 bar (standard)	

* RY-04 and RYK-04 only with integrated gauge and flow from left to right available.

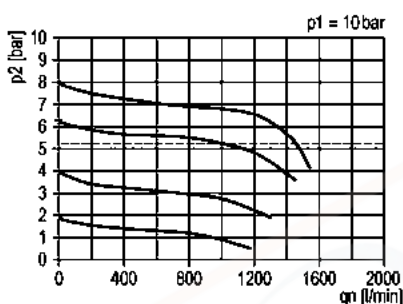
Pressure regulator RY

Technical data

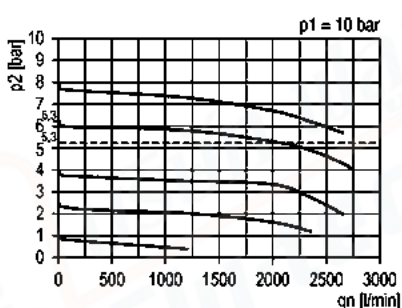
Model-no.:	RY-04-...	RY-14-...	RY-37-...	RY-38-...	RY-12-...	RY-34-...	RY-10-...
Connection	G1/4	G1/4	G3/8	G3/8	G1/2	G3/4	G1
Size	Y0	Y1	Y1	Y2	Y2	Y3	Y3
Flow (l/min)	1000	2200	2600	4300	5100	14000	14000
Internal air consumption	-	-	-	-	-	max. 1.5 l/min	max. 1.5 l/min
Weight (kg)	0.17	0.30	0.29	0.52	0.50	1.02	0.95

Flow characteristic

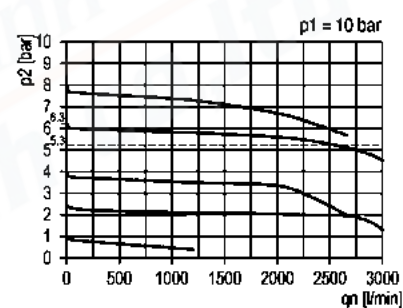
RY-04



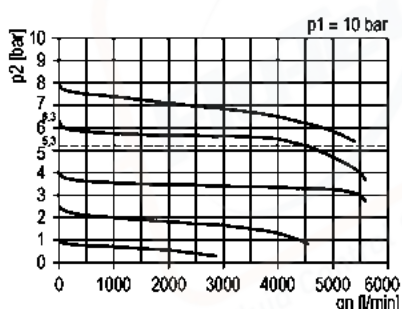
RY-14



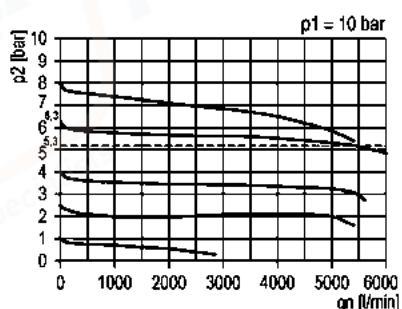
RY-37



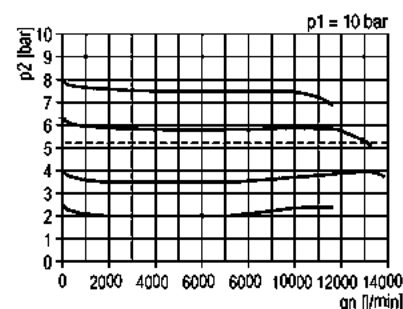
RY-38



RY-12



RY-34, RY-10



Accessories

Mounting brackets WYL



Mounting brackets WYP



Coupling kits for wall mounting KPY-W



Coupling kits KPY-K



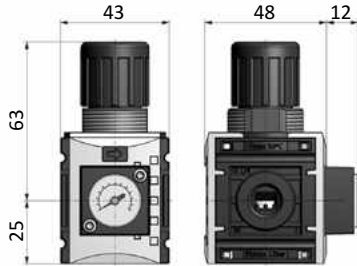
Mounting nut RMY



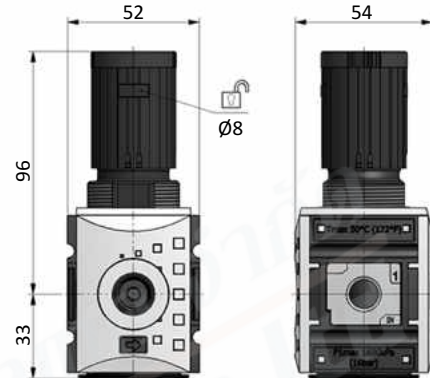
Details: see page 04

Dimensions

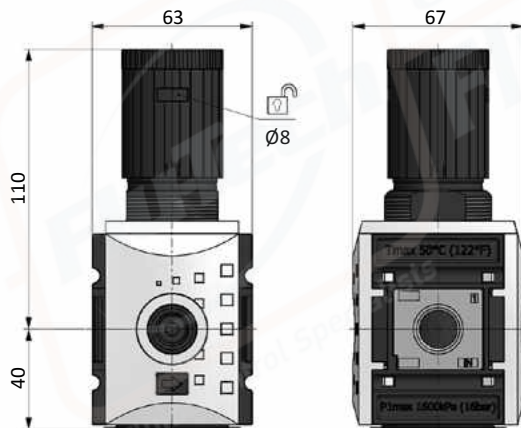
Size Y0



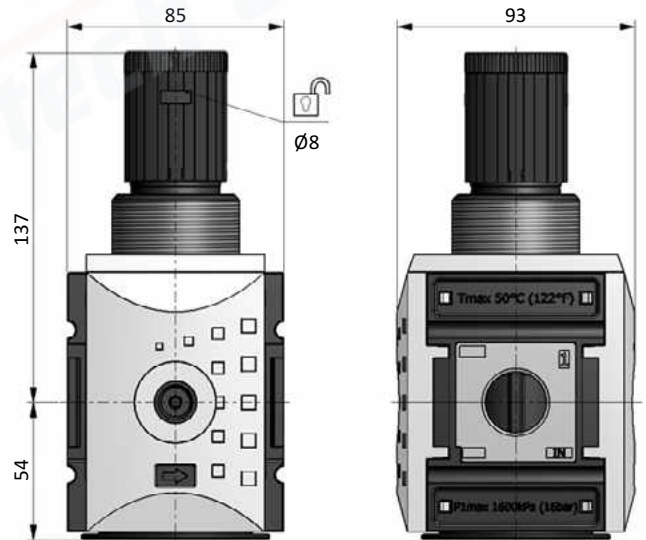
Size Y1



Size Y2



Size Y3



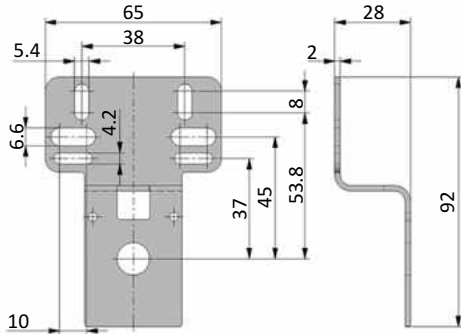
Fastening elements

Bracket kit WYP

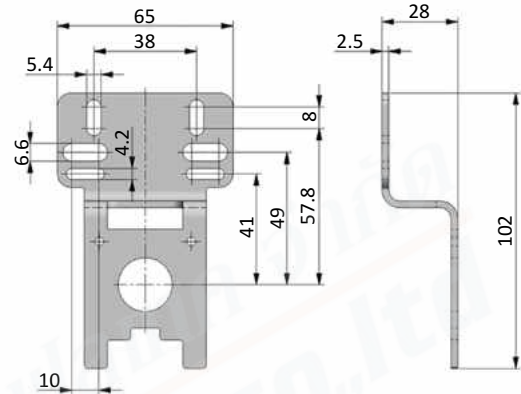
Bracket kit made of zinc coated steel.

The bracket can be mounted at the rear side after removing the rear cover of the unit. The 2 mounting screws are included.

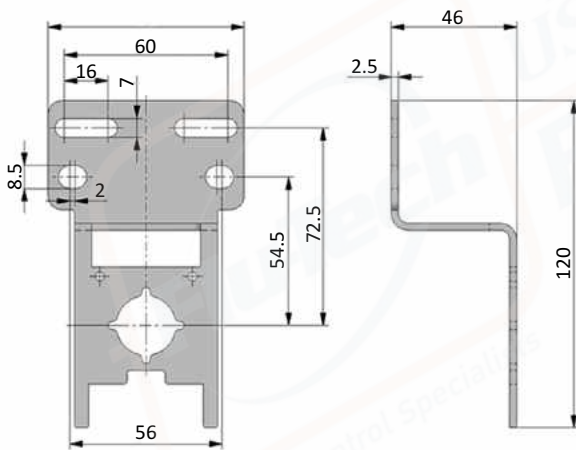
WYP-00



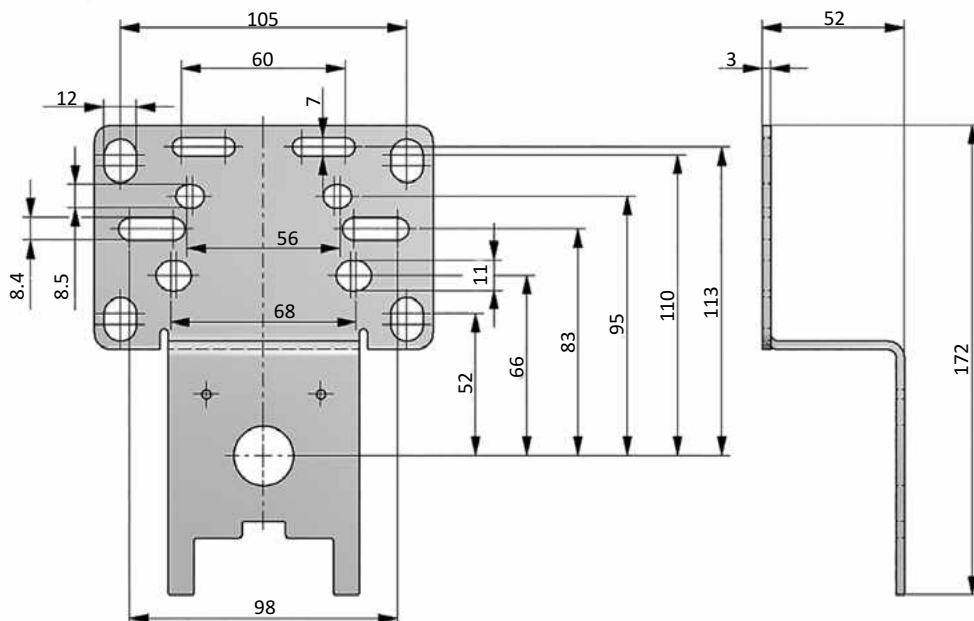
WYP-01



WYP-02

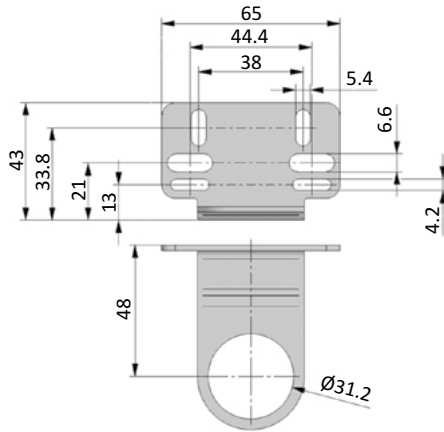
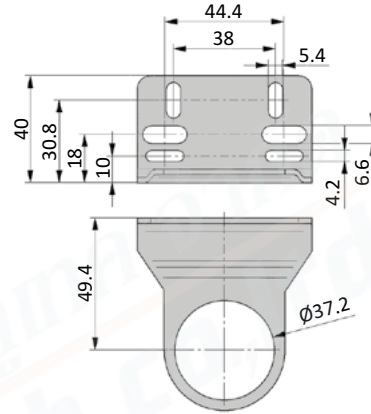
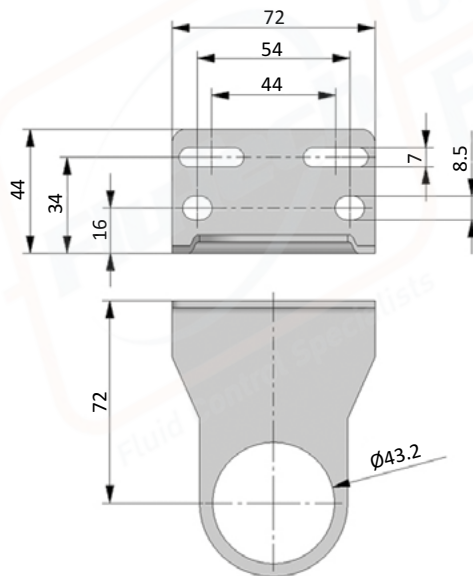


WYP-03

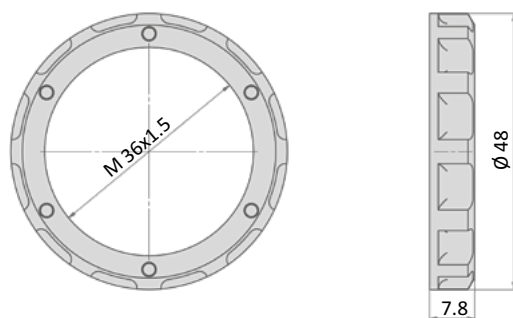
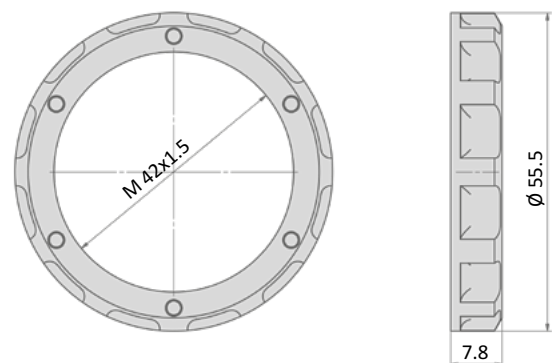


Mounting brackets WYL

Mounting brackets made of zinc coated steel. Assembling with mounting nut (not included).

WYL-00

WYL-01

WYL-02

Mounting nut RMY

Mounting nut made of plastic.

RMY-01

RMY-02


Coupling kits

Coupling kits KPY-K

KPY-00-K, KPY-01-K



KPY-02-K

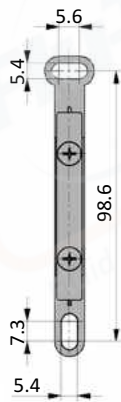


KPY-03-K

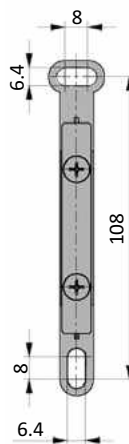


Coupling kits for wall mounting KPY-W

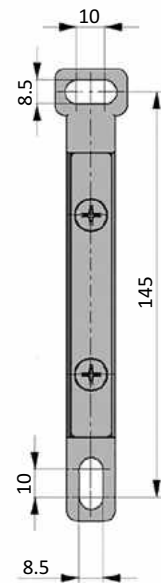
KPY-00-W, KPY-01-W



KPY-02-W



KPY-03-W



Technical details

Temperature range	-20°C ... +60°C
Accuracy class	2.5 according to EN 837-1
Application	Constant load: 3/4 x scale value Alternating load: 2/3 x scale value
Materials	Body: steel or ABS, black Window: clear Dial: white with stop pin Scale black (bar) and blue (psi)
Temperature drift	± 0.4% / 10 K if deviation from normal temperature (+ 20°C)



Bourdon tube pressure gauge (EN 837-1), pressure connection rear.



Order code

Series		Connection	
MXA-**-***-***		18	1/8
Diameter		14	1/4
40	40 mm		
50	50 mm		
63	63 mm		
Range			
06	0 ... 6 bar		
10	0 ... 10 bar		
16	0 ... 16 bar		

Technical data

Model-no.:	MXA-50-06-14		MXA-50-10-14		MXA-50-16-14	
Connection	G1/4		R1/4		R1/4	
Standard for series	-		-		X1. X2. Y1. Y2	
Range	0 ... 6 bar		0 ... 10 bar		0 ... 16 bar	
Weight (kg)	0.071		0.071		0.071	
Model-no.:	MXA-40-06-18	MXA-40-10-18	MXA-40-16-18	MXA-63-06-14	MXA-63-10-14	MXA-63-16-14
Connection	G1/8	R1/8	R1/8	G1/4	G1/4	G1/4
Standard for series	-	-	K. RD	-	-	Y3
Range	0 ... 6 bar	0 ... 10 bar	0 ... 16 bar	0 ... 6 bar	0 ... 10 bar	0 ... 16 bar
Weight (kg)	0.071	0.071	0.071	0.080	0.080	0.080