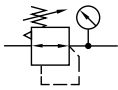


## Technical details

<b>Temperature range</b>	-10°C ... +60°C
<b>Input range</b>	max. 16 bar
<b>Mounting</b>	arbitrary
<b>Medium</b>	compressed air according to ISO 8573-1:2010, neutral gases
<b>Materials</b>	Body: zinc diecasting, seals: NBR, inner parts: zinc coated steel, stainless steel and brass

Pressure regulator with diaphragm and relieving feature.  
Locking: rotary lock possible.



## Order code

Order Code: <b>RX-***-**-0-00**</b>		Series	Connection / Size	Output range	Versions
Digit 1	Digit 2	Digit 3	Digit 4	Digit 5	Digit 6
14	37	12	34	03	06
G1/4 / X1	G3/8 / X1	G1/2 / X2	G3/4 / X2	0.2 ... 3 bar	0.5 ... 6 bar
				0.5 ... 10 bar (standard)	
					0
					1
					2
					3
					1
					2

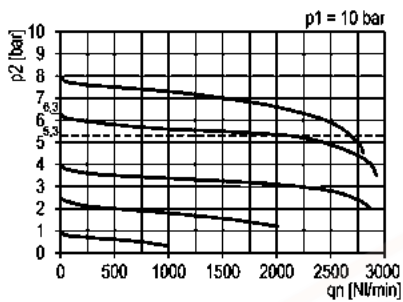
## Pressure regulator RX

### Technical data

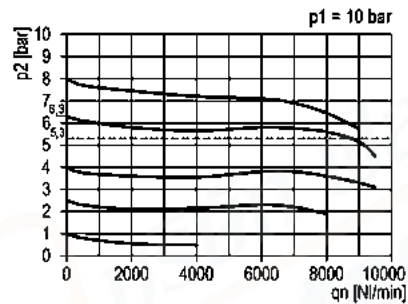
Model-no.:	RX-14-...	RX-37-...	RX-12-...	RX-34-...
Connection	G1/4	G3/8	G1/2	G3/4
Size	X1	X1	X2	X2
Flow (NI/min)	2000	2000	8800	8800
Weight (kg)	0.32	0.31	0.80	0.77

### Flow characteristic

RX-14, RX-37



RX-12, RX-34



### Accessories

Mounting brackets WK



Mounting brackets WX



Coupling kits KPX



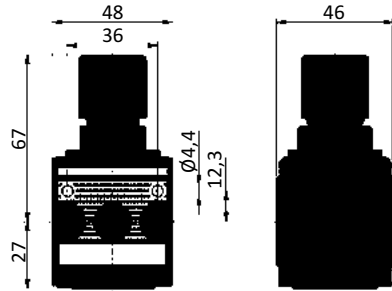
Mounting nut RM



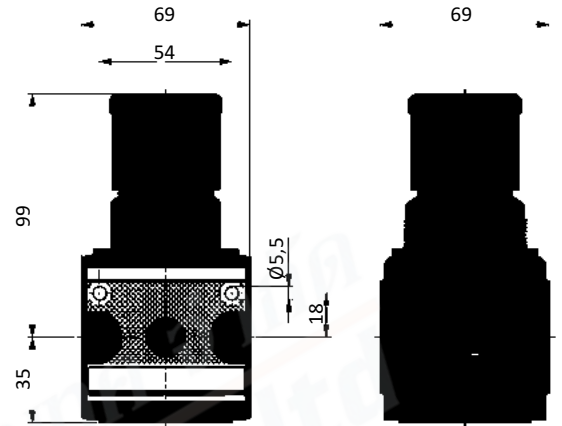
Details: see page 04

## Dimensions

### Size X1



### Size X2

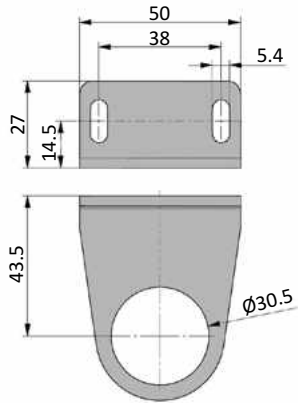


## Fastening elements

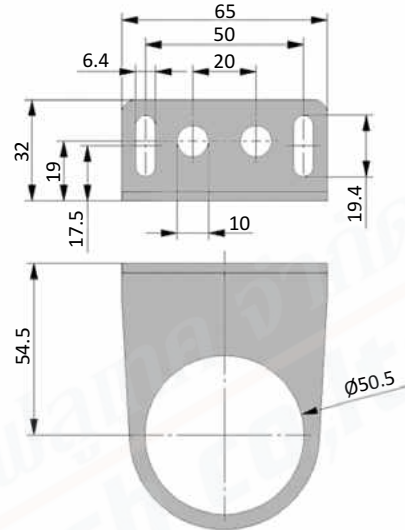
### Mounting brackets WK

Mounting brackets made of zinc coated steel. Assembling with mounting nut (not included).

#### WK-30



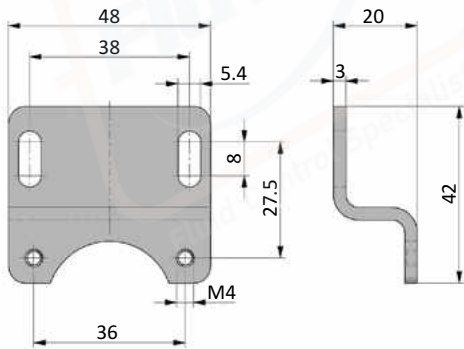
#### WK-50



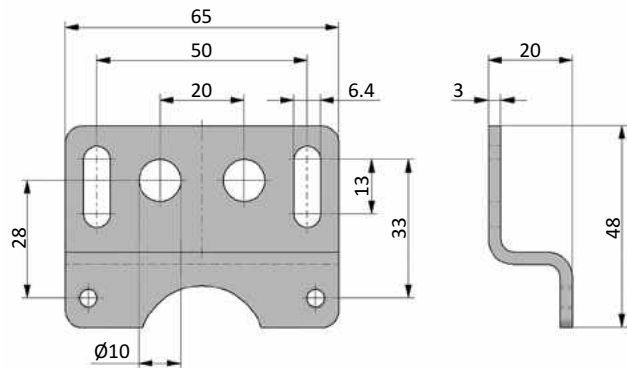
### Mounting brackets WX

Mounting brackets made of zinc coated steel.

#### WX-11



#### WX-33

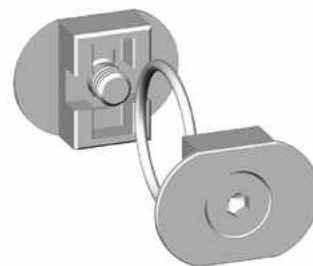


### Coupling kits KPX

#### KPX-11



#### KPX-33



**Technical details**

<b>Temperature range</b>	-20°C ... +60°C
<b>Accuracy class</b>	2.5 according to EN 837-1
<b>Application</b>	Constant load: 3/4 x scale value Alternating load: 2/3 x scale value
<b>Materials</b>	Body: steel or ABS, black Window: clear Dial: white with stop pin Scale black (bar) and blue (psi)
<b>Temperature drift</b>	± 0.4% / 10 K if deviation from normal temperature (+ 20°C)



Bourdon tube pressure gauge (EN 837-1), pressure connection rear.


**Order code**

Series		Connection	
MXA-**-***-***		18	1/8
		14	1/4
Diameter			
40	40 mm		
50	50 mm		
63	63 mm		
Range			
06	0 ... 6 bar		
10	0 ... 10 bar		
16	0 ... 16 bar		

**Technical data**

Model-no.:	MXA-50-06-14		MXA-50-10-14		MXA-50-16-14	
<b>Connection</b>	G1/4		R1/4		R1/4	
<b>Standard for series</b>	-		-		X1. X2. Y1. Y2	
<b>Range</b>	0 ... 6 bar		0 ... 10 bar		0 ... 16 bar	
<b>Weight (kg)</b>	0.071		0.071		0.071	
Model-no.:	MXA-40-06-18	MXA-40-10-18	MXA-40-16-18	MXA-63-06-14	MXA-63-10-14	MXA-63-16-14
<b>Connection</b>	G1/8	R1/8	R1/8	G1/4	G1/4	G1/4
<b>Standard for series</b>	-	-	K. RD	-	-	Y3
<b>Range</b>	0 ... 6 bar	0 ... 10 bar	0 ... 16 bar	0 ... 6 bar	0 ... 10 bar	0 ... 16 bar
<b>Weight (kg)</b>	0.071	0.071	0.071	0.080	0.080	0.080