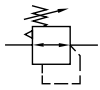


Precision pressure regulator RP

Technical details

Temperature range	0°C ... +50°C
Input range	max. 16 bar
Mounting	arbitrary
Medium	compressed air filtered 5µm, oilfree
Materials	Body: zinc diecasting, seals: NBR and EPDM, inner parts: zinc coated steel, stainless steel and brass

Precision pressure regulator with diaphragm and relieving feature.



Order code

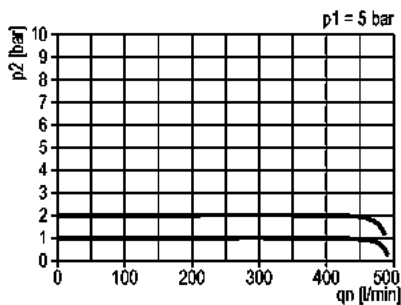
RP-***-0-0001		
Series		Output range
Connection		B* 0.05 ... 2 bar
14 G1/4		C* 0.05 ... 4 bar
12 G1/2		D 0.05 ... 7 bar
		E** 0.05 ... 3 bar
		F** 0.05 ... 5 bar
		G** 0.05 ... 10 bar
		* only for RP-14
		** only for RP-12

Technical data

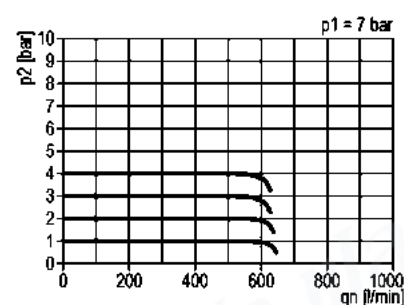
Model-no.:	RP-14-...	RP-12-...
Connection	G1/4	G1/2
Gauge connection	G1/8	G1/4
Flow (NI/min)	see diagram	see diagram
Internal air consumption	max. 4.1 l/min	max. 6 l/min
Weight (kg)	0.67	1.40

Flow characteristic

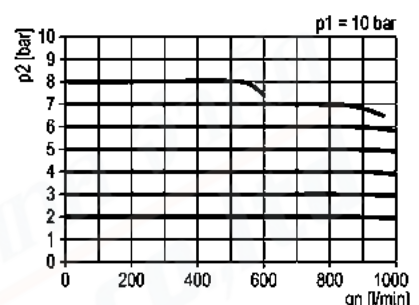
RP-14-B-...



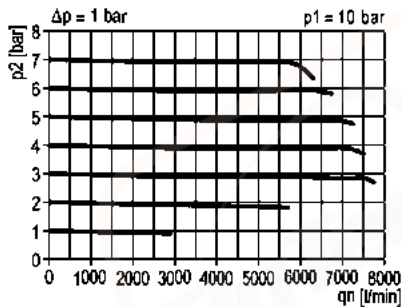
RP-14-C-...



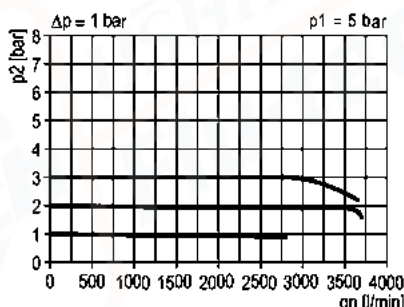
RP-14-D-...



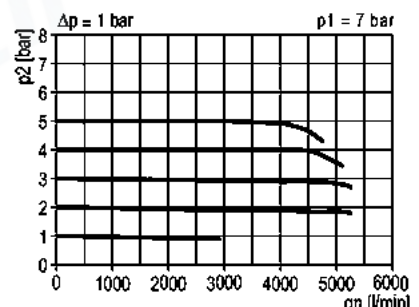
RP-12-D-...



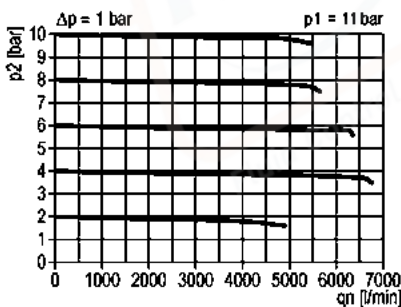
RP-12-E-...



RP-12-F-...

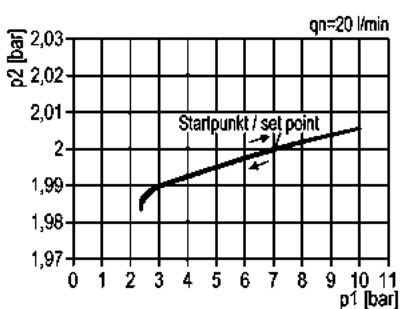


RP-12-G-...

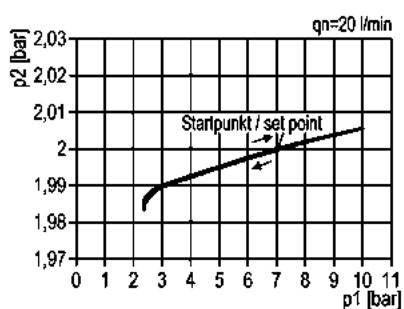


Hysteresis

RP-14-...

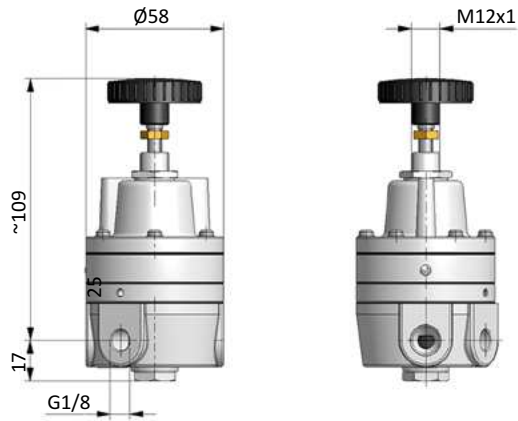
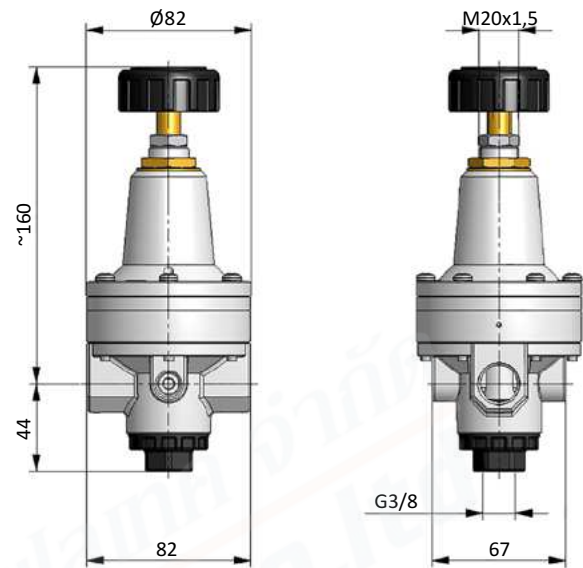


RP-12-...



Precision pressure regulator RP

Dimensions

RP-14

RP-12


บริษัท ฟลูเทค จำกัด
 Flu-Tech CO., LTD
 Fluid Control Specialists