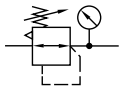


Technical details

Temperature range	-10°C ... +60°C
Input range	max. 16 bar
Mounting	arbitrary
Medium	compressed air according to ISO 8573-1:2010, neutral gases
Materials	Body: zinc diecasting, seals: NBR, inner parts: zinc coated steel, stainless steel and brass

Pressure regulator with diaphragm and relieving feature.
Locking: rotary lock possible.



Order code

Series		Versions	
<p>Connection</p> <p>18 G1/8</p> <p>14 G1/4</p>		<p>Digit 3 Gauge, flow direction</p> <p>0 without gauge, flow from left to right</p> <p>1 without gauge, flow from right to left</p> <p>2 with gauge, flow from left to right (standard)</p> <p>3 with gauge, flow from right to left</p>	
<p>Output range</p> <p>03 0.1 ... 3 bar</p> <p>06 0.2 ... 6 bar</p> <p>10 0.5 ... 10 bar (standard)</p>		<p>Digit 4</p> <p>1 standard</p> <p>2 key lockable</p>	

RK-*-***-0-00****

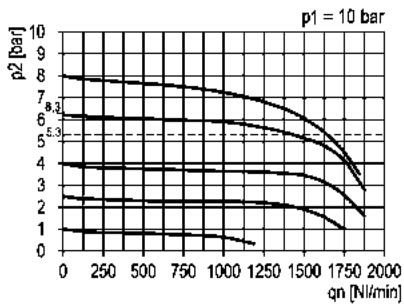
Pressure regulator RK

Technical data

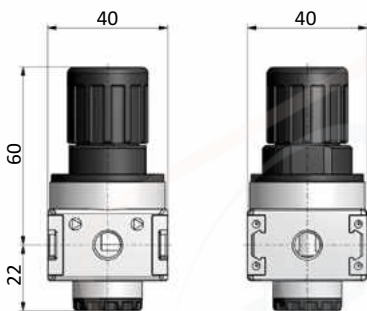
Model-no.:	RK-18-...	RK-14-...
Connection	G1/8	G1/4
Flow (Nl/min)	1450	1450
Weight (kg)	0.26	0.25

Flow characteristic

RK-18, RK-14



Dimensions



Accessories

Mounting brackets WK



Mounting brackets WK



Coupling kits KPX



Mounting nut RM

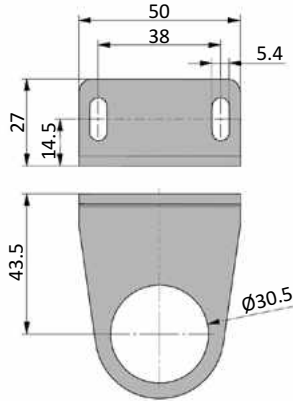


Details: see page 03

Mounting bracket WK

Mounting bracket made of zinc coated steel. Assembling with mounting nut (not included).

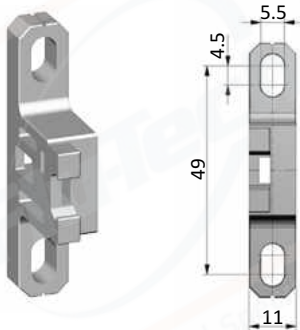
WK-30



Mounting bracket WK-00

Mounting bracket (set of two pieces) made of PA 66. Mounting only sidewise possible.

WK-00



Coupling kit KPK

KPK-00



Gauge MXA

Technical details

Temperature range	-20°C ... +60°C
Accuracy class	2.5 according to EN 837-1
Application	Constant load: 3/4 x scale value Alternating load: 2/3 x scale value
Materials	Body: steel or ABS, black Window: clear Dial: white with stop pin Scale black (bar) and blue (psi)
Temperature drift	± 0.4% / 10 K if deviation from normal temperature (+ 20°C)



Bourdon tube pressure gauge (EN 837-1), pressure connection rear.



Order code

Series		Connection	
40	40 mm	18	1/8
50	50 mm	14	1/4
63	63 mm		

Range	
06	0 ... 6 bar
10	0 ... 10 bar
16	0 ... 16 bar

MXA-*-***-*****

Technical data

Model-no.:	MXA-50-06-14	MXA-50-10-14	MXA-50-16-14
Connection	G1/4	R1/4	R1/4
Standard for series	-	-	X1. X2. Y1. Y2
Range	0 ... 6 bar	0 ... 10 bar	0 ... 16 bar
Weight (kg)	0.071	0.071	0.071

Model-no.:	MXA-40-06-18	MXA-40-10-18	MXA-40-16-18	MXA-63-06-14	MXA-63-10-14	MXA-63-16-14
Connection	G1/8	R1/8	R1/8	G1/4	G1/4	G1/4
Standard for series	-	-	K. RD	-	-	Y3
Range	0 ... 6 bar	0 ... 10 bar	0 ... 16 bar	0 ... 6 bar	0 ... 10 bar	0 ... 16 bar
Weight (kg)	0.071	0.071	0.071	0.080	0.080	0.080