

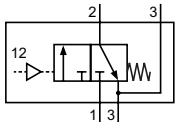
**Technical details**

<b>Connection</b>	G1/4, Namur
<b>Nominal size</b>	6 mm
<b>Temperature range</b>	-30°C ... +80°C
<b>Medium</b>	Filtered, oil-free and dried compressed air according to ISO 8573-1:2010, Class 7:2:4, instrument air, free of aggressive additives. Differing the pressure dew point must be at least 10°C below lowest occurring ambient temperature.
<b>Materials</b>	Body: stainless steel 1.4571, seals: PU, NBR, inner parts: stainless steel 1.4305
<b>Protection</b>	IP 65 according to EN 60529
	Valves in accordance with 2014/34/EU (ATEX) available. (Chapter 13)



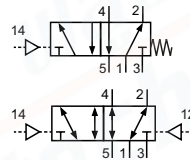
Pneumatically operated spool valve. The valve switches upon pressurization of the pilot port. The location pin, screws and seals are included.

**3/2-Wege-Ventil**



**PNX-55-311**  
3/2-way, single pilot, mechanical spring return

**5/2- and 5/3-way-valves**



**PNX-55-511**  
5/2-way, single pilot, mechanical spring return  
**PNX-55-520**  
5/2-way, double pilot

**Technical data**

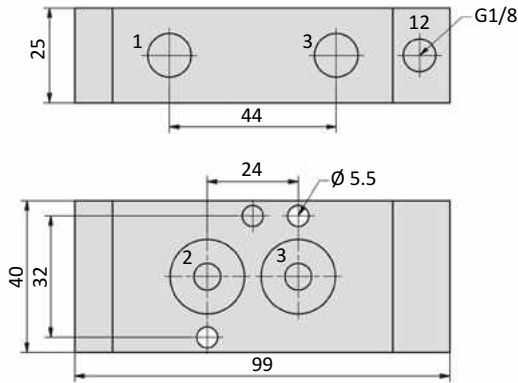
Model-no.:	PNX-55-311	PNX-55-511	PNX-55-520
<b>Operating pressure (bar)</b>	3 ... 8 bar	3 ... 8 bar	3 ... 8 bar
<b>Pilot pressure (bar)</b>	3 ... 8 bar	3 ... 8 bar	3 ... 8 bar
<b>Flow rate (NI/min)</b>	1280	1060	1050
<b>Weight (kg)</b>	0.640	0.630	0.660

**Series PNX-55**  
NAMUR

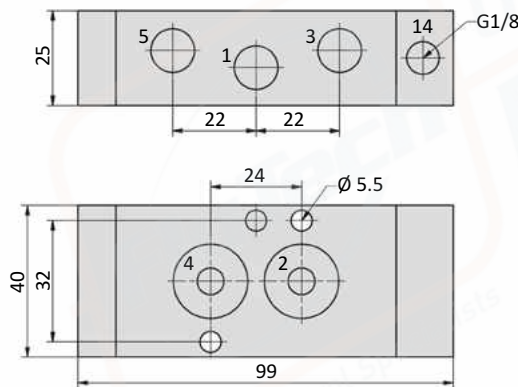


**Dimensions**

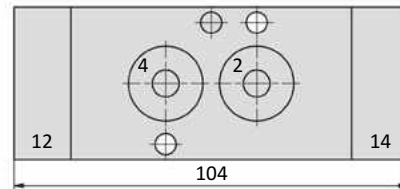
**PNX-55-311**



**PNX-55-511**



**PNX-55-520**



- 1 = pressure inlet
  - 2,4 = outlets
  - 3,5 = exhausts
  - 12,14 = pilot ports
- Pilot ports can be repositioned by 180°.

