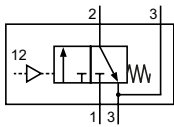


Technical details

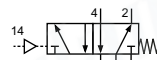
Connection	G1/4, Namur
Nominal size	6 mm
Temperature range	-10°C ... +70°C
Medium	Filtered, oil-free and dried compressed air according to ISO 8573-1:2010, Class 7:2:4, instrument air, free of aggressive additives. Differing the pressure dew point must be at least 10°C below lowest occurring ambient temperature.
Materials	Body: Al (anodized), zinc coated steel, plastic, seals: NBR, inner parts: Al, steel and plastic
	Valves in accordance with 2014/34/EU (ATEX) available. (Chapter 13)



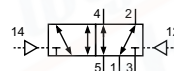
Pneumatically operated spool valve. The valve switches upon pressurization of the pilot port. The location pin, screws and seals are included.

3/2-way-Ventil


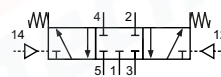
PN-05-311
 3/2-way, single pilot, mechanical spring return

5/2- and 5/3-way-valves


PN-05-511
 5/2-way, single pilot, mechanical spring return



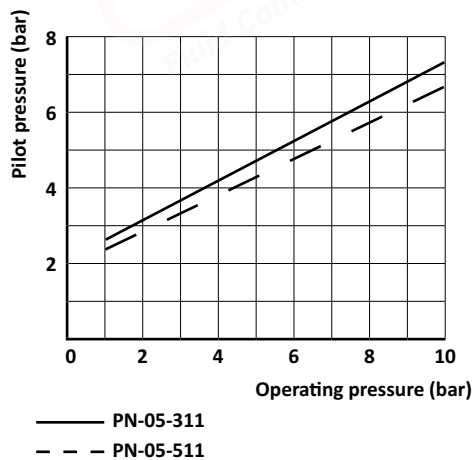
PN-05-520
 5/2-way, double pilot



PN-05-530
 5/3-way, center position closed

Technical data

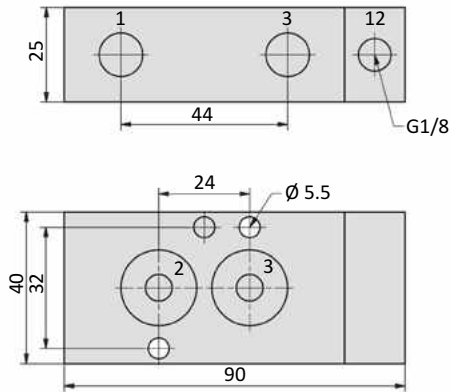
Model-no.:	PN-05-311	PN-05-511	PN-05-520	PN-05-530
Operating pressure (bar)	0...10 bar	0...10 bar	0...10 bar	0...10 bar
Pilot pressure (bar)	see diagram	see diagram	2...10 bar	3...10 bar
Flow rate (NI/min)	800	800	900	680
Weight (kg)	0.22	0.22	0.26	0.28



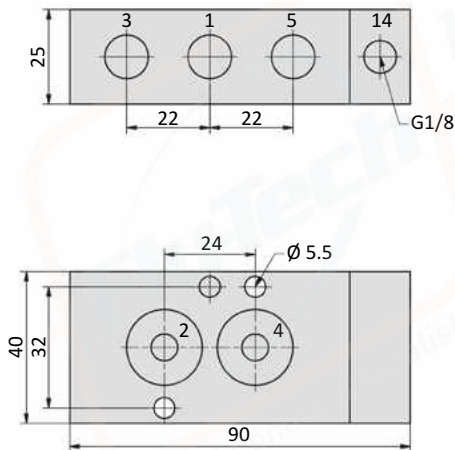
Series PN-05 NAMUR

Dimensions

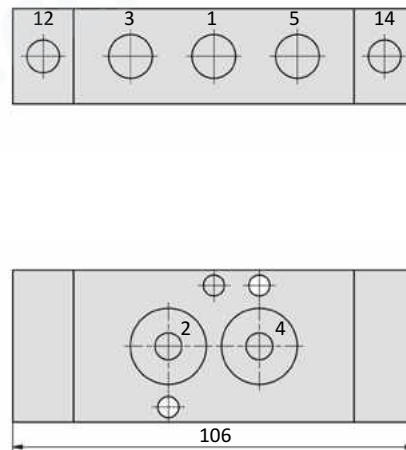
PN-05-311



PN-05-511



PN-05-520, P-05-530



- 1 = pressure inlet
 - 2,4 = outlets
 - 3,5 = exhausts
 - 12,14 = pilot ports
- Pilot ports can be repositioned by 180°.