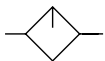


**Technical details**

<b>Temperature range</b>	-10°C ... +50°C
<b>Input range</b>	max. 16 bar ( size Y0 max. 12 bar )
<b>Mounting</b>	vertically
<b>Medium</b>	compressed air according to ISO 8573-1:2010, neutral gases
<b>Materials</b>	Body: Grivory (PA66), seals: NBR, inner parts: plastic and brass

Micro lubricator ( size Y0 )  
Lubricator with automatic oil filling ( scale Y1 to Y3 )


**Order code**

Series		Versions	
Connection / Size		Digit 1	Bowl
04	G1/4 / Y0	1	PC with PA-guard
14	G1/4 / Y1	3	metal bowl with sight glass
37	G3/8 / Y1		
38	G3/8 / Y2		
12	G1/2 / Y2		
34	G3/4 / Y3		
10	G1 / Y3		

**OY-\*\*-00-0-\*001**

## Lubricator OY

### Technical data

Model-no.:	OY-04-...	OY-14-...	OY-37-...	OY-38-...	OY-12-...	OY-34-...	OY-10-...
Connection	G1/4	G1/4	G3/8	G3/8	G1/2	G3/4	G1
Size	Y0	Y1	Y1	Y2	Y2	Y3	Y3
Flow (Nl/min)	1400	2800	2800	8000	8000	16000	16000
Lubricator operating limit (Nl/min)	30	100	100	70	70	115	115
Bowl volume lubricator (cm <sup>3</sup> )	35	40	40	80	80	181	181
Weight (kg)	0.15	0.27	0.26	0.43	0.41	0.95	0.89

### Accessories

#### Coupling kits for wall mounting KPY-W



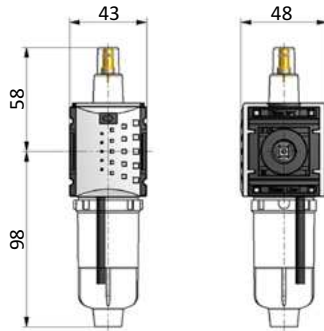
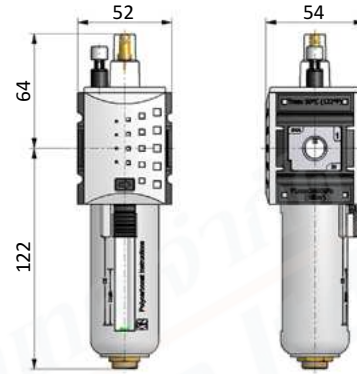
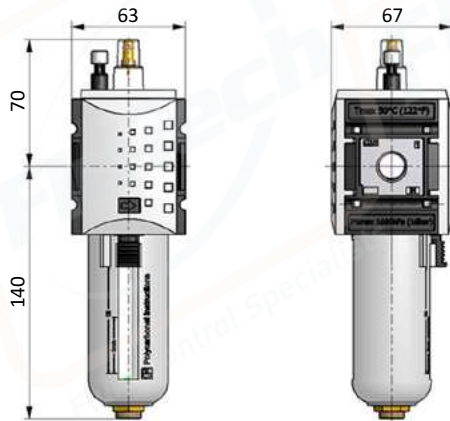
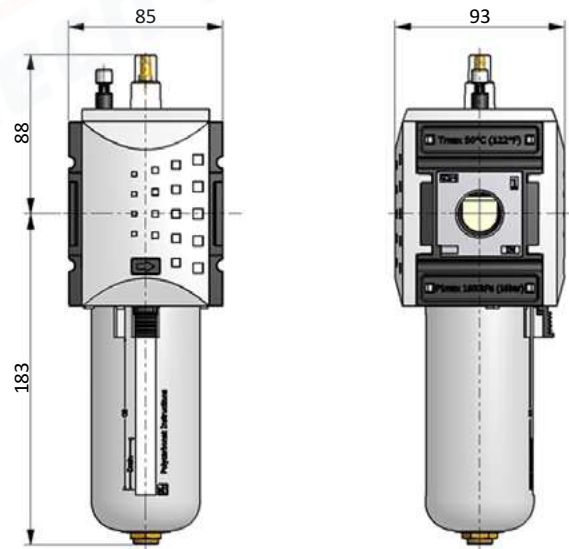
#### Coupling kits KPY-K



#### Mounting brackets WYP



Details: Page 04

**Dimensions**
**Size Y0**

**Size Y1**

**Size Y2**

**Size Y3**


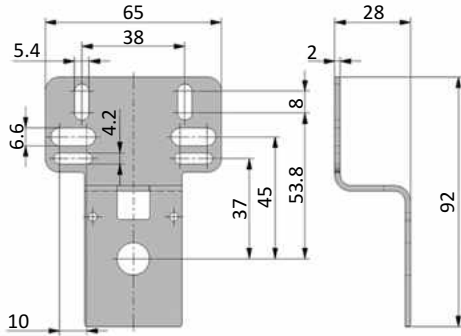
# Fastening elements

## Bracket kit WYP

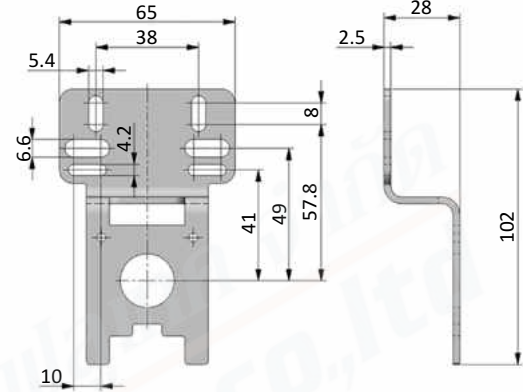
Bracket kit made of zinc coated steel.

The bracket can be mounted at the rear side after removing the rear cover of the unit. The 2 mounting screws are included.

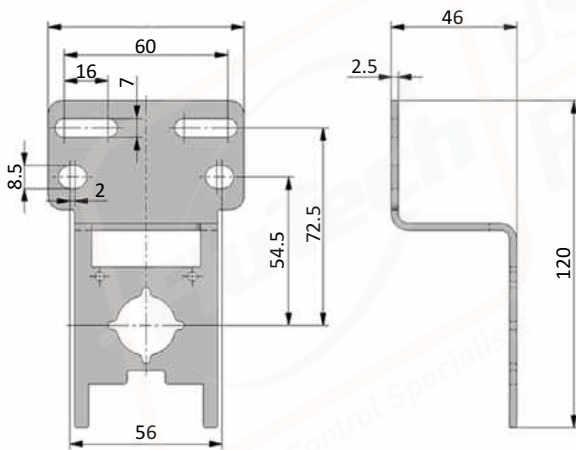
### WYP-00



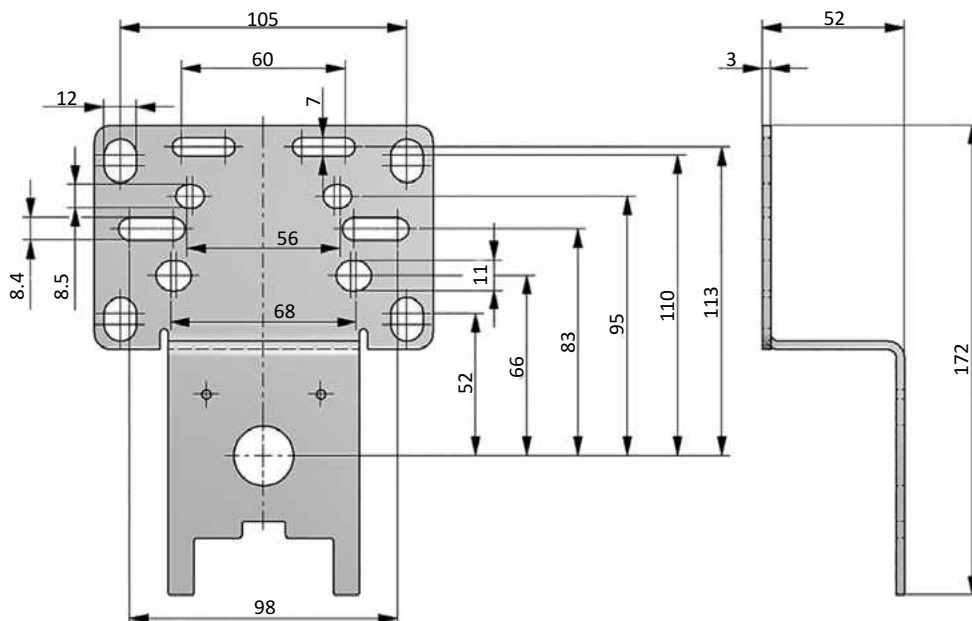
### WYP-01



### WYP-02



### WYP-03



## Coupling kits KPY-K

KPY-00-K, KPY-01-K



KPY-02-K

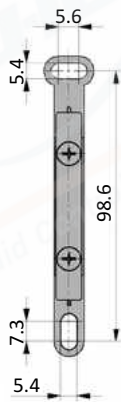


KPY-03-K

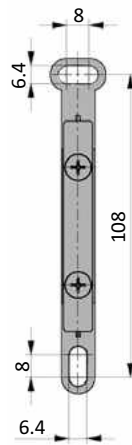


## Coupling kits for wall mounting KPY-W

KPY-00-W, KPY-01-W



KPY-02-W



KPY-03-W

