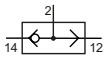


**Technical details**

<b>Temperature range</b>	-10°C ... +70°C
<b>Medium</b>	Filtered, oil-free and dried compressed air according to ISO 8573-1:2010, Class 7:2-4, instrument air, free of aggressive additives. Alternatively the pressure dew point must be at least 10°C below lowest occurring ambient temperature.
<b>Materials</b>	Body: Al (anodized), seals: NBR, inner parts: stainless steel and brass



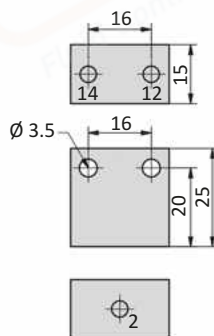
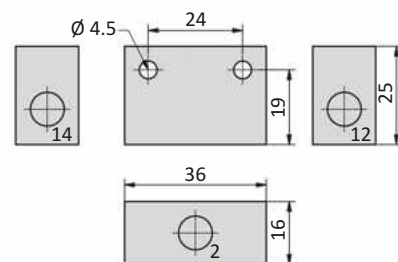
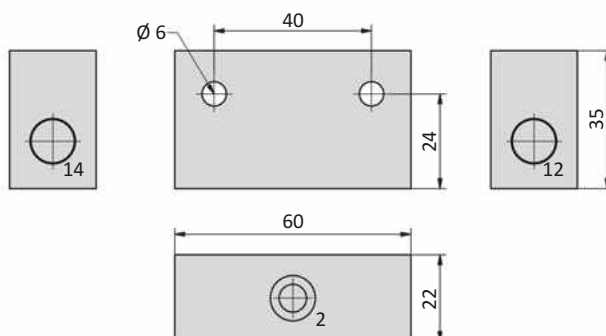
Output signal is present if one inlet is pressurized. The higher input signal (min. difference 0.2 bar) is dominant.

**OR valves**


OR-xx  
OR valve

**Technical data**

Model-no.:	OR-25	OR-18	OR-14-01
<b>Connection</b>	M5	G1/8	G1/4
<b>Nominal size (mm)</b>	3.2	4	5.5
<b>Operating pressure (bar)</b>	-0.95 ... 10	-0.95 ... 10	-0.95 ... 10
<b>Min. difference (bar)</b>	0.2	0.2	0.2
<b>Flow rate (NI/min)</b>	160	280	900
<b>Weight (kg)</b>	0.026	0.038	0.110

**Dimensions**
**OR-25**

**OR-18**

**OR-14-01**


12, 14 = signal input  
2 = signal output