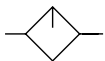


## Technical details

<b>Temperature range</b>	-10°C ... +60°C
<b>Input range</b>	max. 16 bar
<b>Mounting</b>	vertically
<b>Medium</b>	compressed air according to ISO 8573-1:2010, neutral gases
<b>Materials</b>	Body: zinc diecasting, seals: NBR, inner parts: plastic and brass

Proportional lubricator.



## Order code

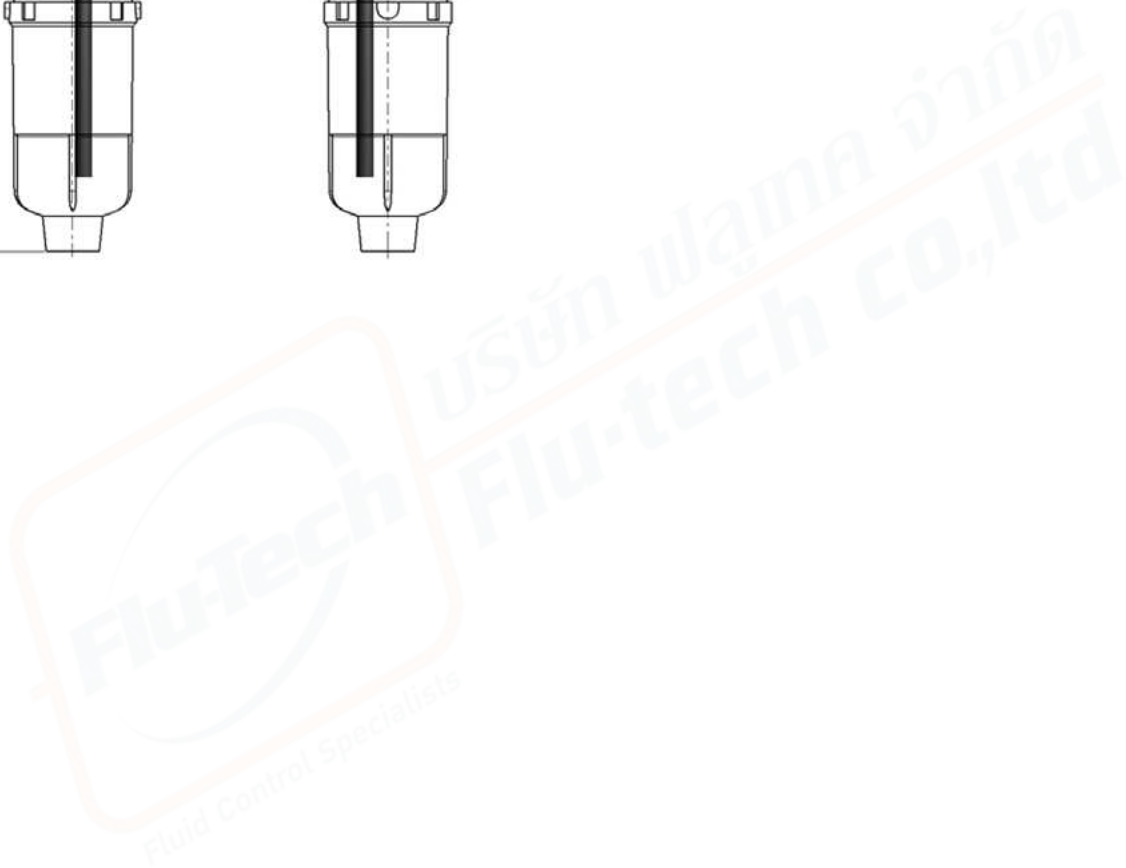
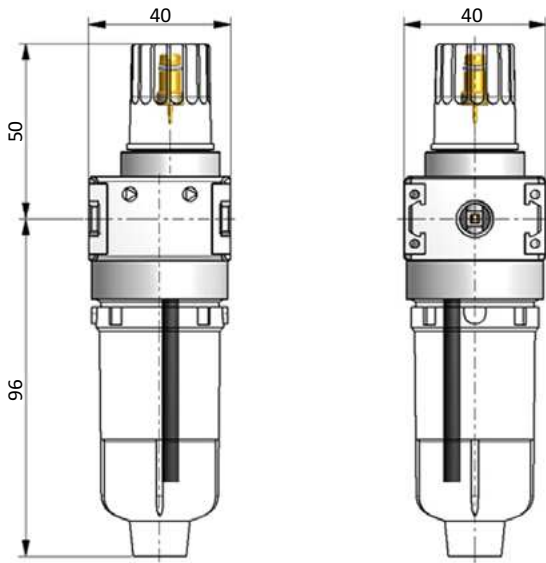
<b>OK-**-00-0-*001</b>	
<b>Series</b>	<b>Versions</b>
<b>Connection / Size</b>	<b>Digit 1 Bowl</b>
18 G1/8	1 PC
14 G1/4	2 metal
	4 PC with guard

## Technical data

Model-no.:	OK-18-...	OK-14-...
<b>Connection</b>	G1/8	G1/4
<b>Flow (Nl/min)</b>	1000	1000
<b>Lubricator operating limit (Nl/min)</b>	28	28
<b>Bowl volume lubricator (cm<sup>3</sup>)</b>	35	35
<b>Weight (kg)</b>	0.26	0.25

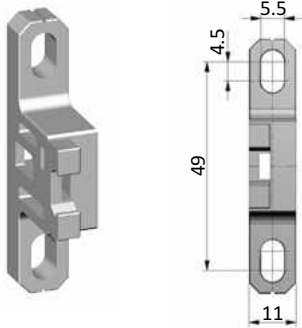
## Lubricator OK

### Dimensions



**Mounting bracket WK-00**

Mounting bracket (set of two pieces) made of PA 66. Mounting only sidewise possible.

**WK-00**

**Coupling kit KPK**
**KPK-00**
