

## Series NYSE Stopper cylinders, single acting

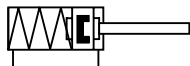
### Technical details

<b>Operating pressure</b>	2 ... 10 bar
<b>Temperature range</b>	-20°C ... +80°C
<b>Medium</b>	Filtered, oil-free and dried compressed air according to ISO 8573-1:2010, Class 7:2:4, instrument air, free of aggressive additives. Alternatively the pressure dew point must be at least 10°C below lowest occurring ambient temperature.
<b>Materials</b>	Cylinder tube: Al (anodized) End caps: Al (anodized) Piston rod: stainless steel Seals: PU, NBR (optional FKM)



Single acting compact cylinders with magnetic piston, built-in cushioning rings and return spring.

### Versions



280  
single acting, built-in cushioning rings,  
with magnetic piston,  
normally extended



The cylinders are suitable as double acting as well.



The cylinders NYSER are non rotating.

### Order code

Series		Versions	
NYSE	standard	280	standard version, without thread, normally extended
NYSER	with roller, non rotating		
Piston Ø		Stroke (mm)	
020	20 mm	XXX	standard stroke length
032	32 mm	015	15 mm, for Ø 20 mm
050	50 mm	020	20 mm, for Ø 32 mm
080	80 mm	030	30 mm, for Ø 50 and 80 mm

**NYSE\*-\*\*\*-\*\*\*-\*\*\***

### Technical data

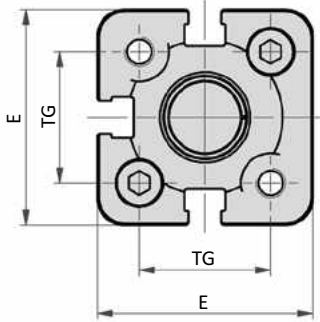
Model-no.:	NYSE*-020-...	NYSE*-032-...	NYSE*-050-...	NYSE*-080-...
<b>Piston Ø (mm)</b>	20	32	50	80
<b>Stroke (mm)</b>	15	20	30	30
<b>Connection</b>	M5	G1/8	G1/8	G1/8
<b>Spring force (N)</b>	min.	28	36	49
	max	36	51	78
<b>Weight (kg)</b>	NYSE	0.20	0.40	1.04
	NYSER	0.24	0.46	1.30

# Series NYSE

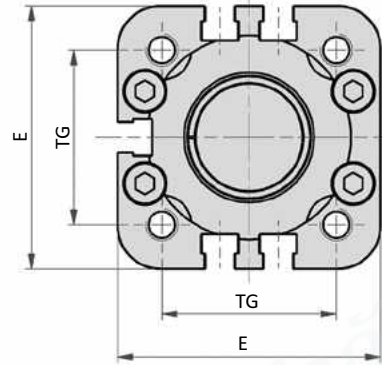
Stopper cylinders, single acting

## Dimensions series NYSE and NYSER

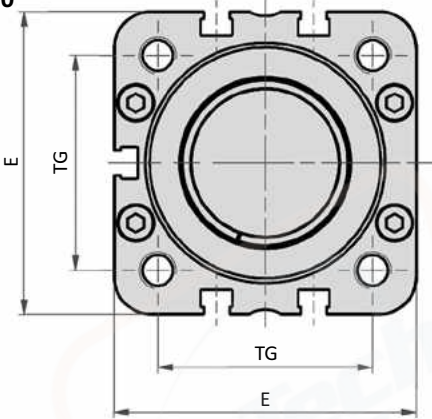
Ø 20



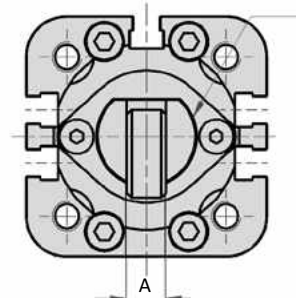
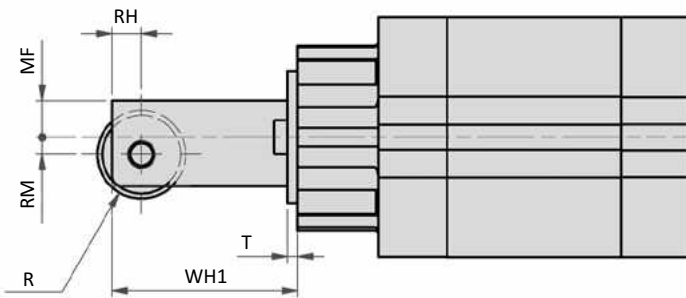
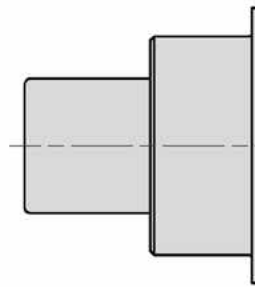
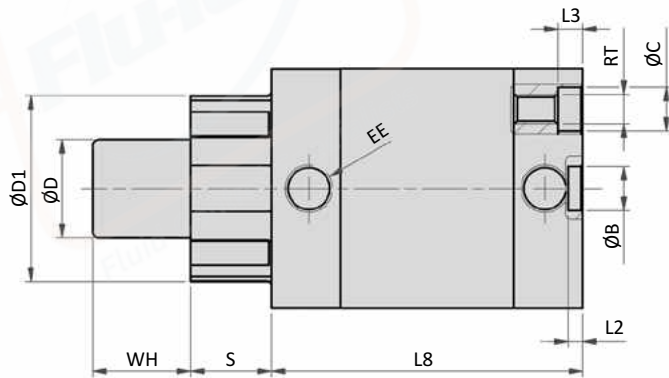
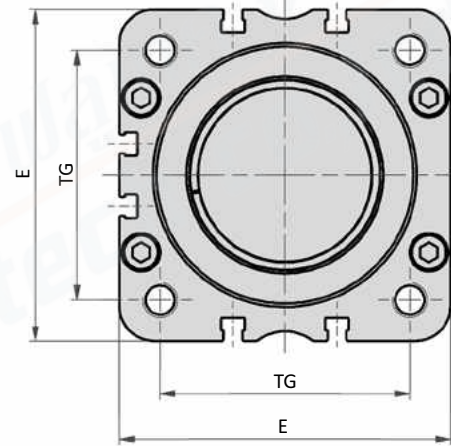
Ø 32



Ø 50

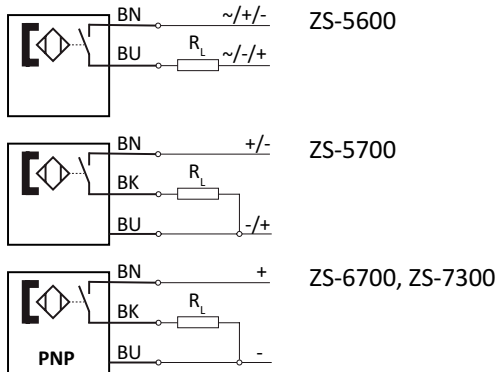


Ø 80

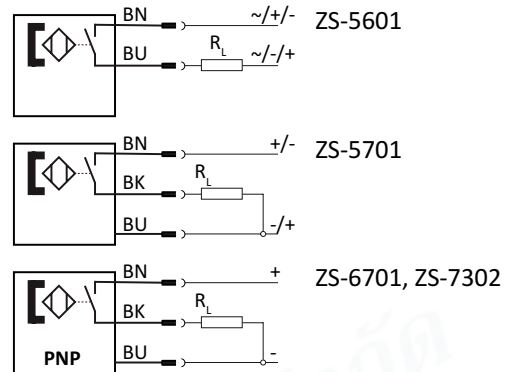


Piston Ø	A	Ø B	Ø C	Ø D	Ø D1	E	EE	L2	L3	L8	MF	R	RH	RM	RT	S	T	TG	WH	WH1
20	4	9	7.5	12	26	36	M5	3	4.5	53	4.5	5	3	2	M5	11.5	2	22	15	24
32	8	9	9	20	38	49	G1/8	3	5	64	7.5	9	6	3.5	M6	16.5	2	32.5	20	38
50	10	12	10.5	32	52	65.5	G1/8	4	5	75	12	12.5	6	7	M8	24.5	2	46.5	30	50.5
80	18	12	13.5	50	76	95.5	G1/8	4	4	126	18	18	10	11	M10	15	3	72	30	63

**Proximity sensors with cable**



**Proximity sensors with plug**



**Technical data**

Model-no.:	ZS-5600	ZS-5601	ZS-5700	ZS-5701
<b>Design</b>	2-pole Reed sensor	2-pole Reed sensor	3-pole Reed sensor	3-pole Reed sensor
<b>Contact function</b>	NO	NO	NO	NO
<b>Rated operational voltage</b>	5 ... 240 V AC / DC	5 ... 60 V AC / DC	5 ... 30 V DC	5 ... 30 V DC
<b>Rated operational current <math>I_E</math></b>	3 ... 100 mA	3 ... 100 mA	$\leq 500$ mA	$\leq 500$ mA
<b>Max. voltage drop at <math>I_E</math></b>	$\leq 2.5$	$\leq 2.5$	$\leq 0.1$	$\leq 0.1$
<b>Breaking capacity</b>	10 W	10 W	10 W	10 W
<b>Cable length</b>	3 m	0.3 m with M8 connection	5 m	0.3 m with M8 connection
<b>Temperature range</b>	-10 ... +70°C	-10 ... +70°C	-10 ... +70°C	-10 ... +70°C
<b>Protection</b>	IP 67	IP 67	IP 67	IP 67
<b>Switching status indication</b>	LED red	LED red	LED yellow	LED yellow
	-	-	II 3G Ex nA T4 II 3D Ex tD A22 IP67 T125°C	II 3D Ex tc IIIC T125°C Dc X

Model-no.:	ZS-6700	ZS-6701	ZS-7300	ZS-7302
<b>Design</b>	3-pole inductive	3-pole inductive	3-pole inductive	3-pole inductive
<b>Contact function</b>	NO	NO	NO	NO
<b>Output</b>	PNP	PNP	PNP	PNP
<b>Rated operational voltage</b>	5 ... 30 V DC	5 ... 30 V DC	10 ... 30 V DC	10 ... 30 V DC
<b>Rated operational current <math>I_E</math></b>	$\leq 200$ mA	$\leq 200$ mA	$\leq 100$ mA	$\leq 100$ mA
<b>Max. voltage drop at <math>I_E</math></b>	$\leq 1.0$	$\leq 1.0$	$\leq 2.5$	$\leq 2.5$
<b>Breaking capacity</b>	6 W	6 W	3 W	3 W
<b>Cable length</b>	3 m	0.3 m with M8 connection	6 m	0.3 m with M12 connection
<b>Temperature range</b>	-10 ... +70°C	-10 ... +70°C	-20 ... +60°C	-20 ... +60°C
<b>Protection</b>	IP 67	IP 67	IP 67	IP 67
<b>Switching status indication</b>	LED green	LED green	LED yellow	LED yellow

## Series ZS

### Proximity sensors

#### Cable with bushing for proximity sensors

Model-no.:	KA-30	KA-50	KA-51	KA-100	KA-101
Connection	M8, snap-in	M8, snap-in	M8, snap-in	M8, snap-in	M8, snap-in
Version	straight	straight	elbow 90°	straight	elbow 90°
Cable length	3 m	5 m	5 m	10 m	10 m

#### Mounting

The sensors are mounted at the groove of the cylinder profile. It is fixed by turning the fixing screw at the sensor clockwise. The cover stripe XLB-011 (see below) can be used for protecting the sensor cable.

#### Cover for sensor groove

Model-no.:	XLB-011
Design	plastic profile, 50 cm length, blue
For series	XL, NXD, NXE, NYD, NYE, NYSE, LX

