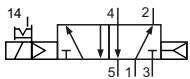


Technical details

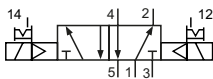
Connection	Sub-base mounting
Nominal size	7 mm
Temperature range	-10°C ... +70°C
Medium	Filtered, oil-free and dried compressed air according to ISO 8573-1:2010, Class 7:2:4, instrument air, free of aggressive additives. Alternatively the pressure dew point must be at least 10°C below lowest occurring ambient temperature.
Materials	Body: Al (anodized), seals: NBR and POM, inner parts: Al, stainless steel and brass
Protection	IP 65 according to EN 60529



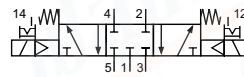
Electrically operated spool valve. The manual override is detent and is operated by screwdriver. Gaskets and screws are part of delivery.

5/2-way valves


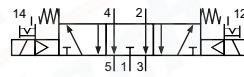
MC-07-510-HN-xxx
5/2-way, single solenoid, air spring return



MC-07-520-HN-xxx
5/2-way, double solenoid

5/3-way valves


MC-07-530-HN-xxx
5/3-way, center position closed



MC-07-533-HN-xxx
5/3-way, center position exhausted

Please complete: xxx = electrical option

Electrical options

Nominal voltage	Power consumption	Specifics	Plug connection* ¹	-xxx
24 V DC	4,8 W		Form A	-712
24 V AC	7,9/5,5 VA		Form A	-722
115 V AC	7,9/5,5 VA		Form A	-726
230 V AC	7,9/5,5 VA		Form A	-727

*¹ Plug socket not included, suitable plug sockets see page 4.

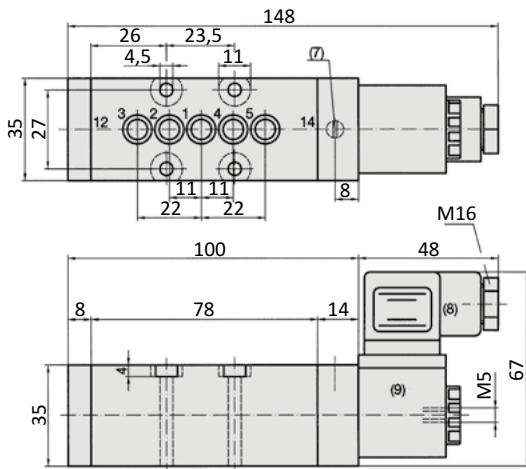
Technical data

Model-no.:	MC-07-510	MC-07-520	MC-07-530	MC-07-533
Operating pressure (bar)	1,5 ... 10	2 ... 10	3 ... 10	3 ... 10
Pilot pressure (bar)	1,5 ... 10	2 ... 10	3 ... 10	3 ... 10
Flow rate (NI/min)	1200	1200	1200	1200
Response time (ms) at 6 bar	on: 15 off: 19	on: 14 off: 14	on: 15 off: 22	on: 15 off: 22
Weight (kg)	0,470	0,660	0,660	0,660

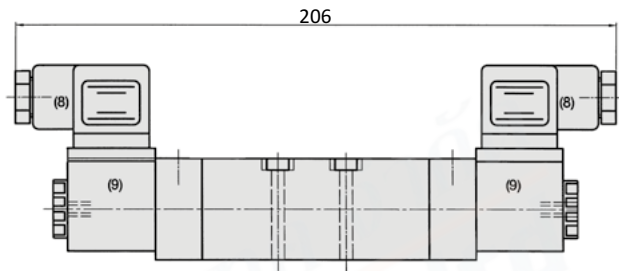
Series MC-07

Dimensions

MC-07-510-HN, MC-07-511-HN



MC-07-520-HN, MC-07-53x-HN



1 = pressure inlet

2,4 = outlets

3,5 = exhausts

Solenoid coil can be repositioned by 4 x 90°.

General information

The RF-C-07/1, RF-C-07/4 and RF-C-07/6 manifolds are suitable for the MC-07 valve series.

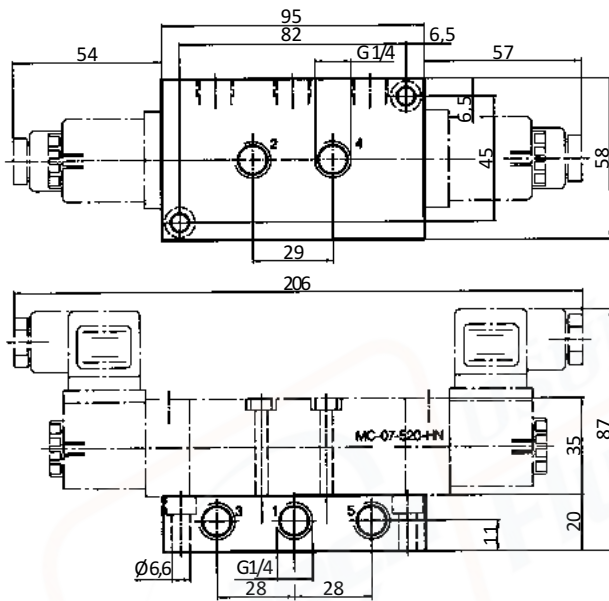
Blind plates RF-C-07-V are available for blank stations.

All mounting screws and the gasket are part of delivery of the valves.

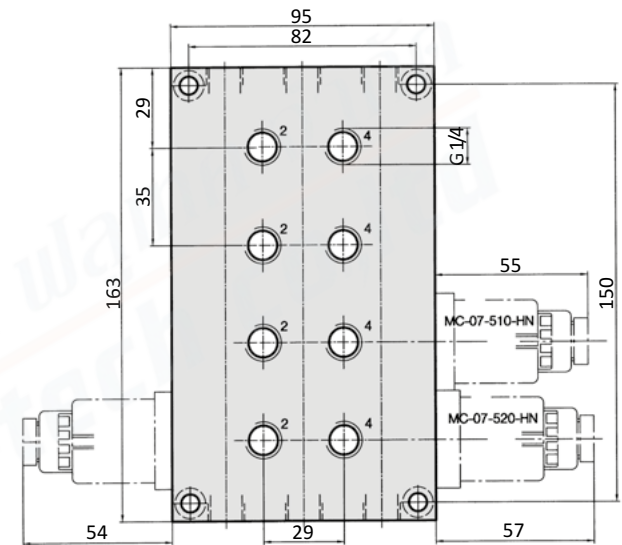
Material: Al (anodized)



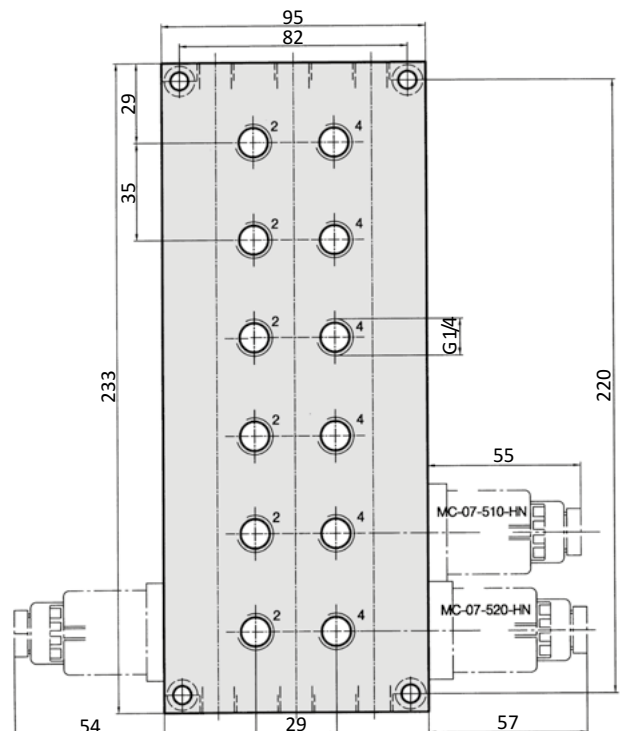
Dimensions RF-C-07/1



Dimensions RF-C-07/4



Dimensions RF-C-07/6



- n = number of stations
- 1 = pressure inlet
- 2,4 = outlets
- 3,5 = exhausts

Plug sockets

Form A according to DIN EN 175301-803

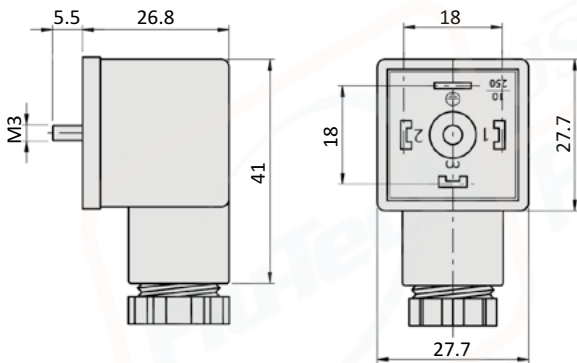
Overall width	27 mm
Contact distance	18 mm
Contacts	2P + E
Protection	IP 65 according to EN 60529 requires a profile gasket
For use with series	no standard



Model-no.:	28-ST-03	28-ST-11-112
Voltage (AC/DC)	0 - 250 V	24 V
Status indicator	no	yes
Protective circuit	no	yes (varistor)
Connecting cable	without	without
Wire cross section	max. 1.5 mm ²	max. 1.5 mm ²
Ø Connecting cable	6 - 8 mm	6 - 8 mm

Dimensions

Form A according to DIN EN 175301-803



Form A according to DIN EN 175301-803

Overall width	30 mm
Contact distance	18 mm
Contacts	2P + E
Protection	IP 65 according to EN 60529 with connected plug socket
Duty cycle	100 %
Temperature range*	-40°C ... +50°C
Voltage tolerance	± 10 %

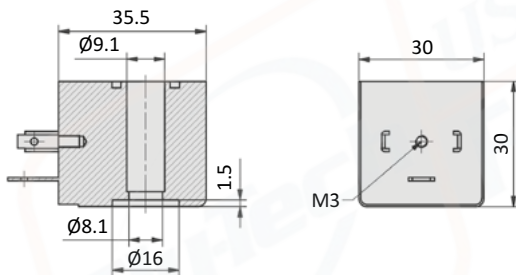


* The max. applicable operating temperature depends on the temperature specification of the used valve.

Model-no.:	23-SP-016-712	23-SP-016-722	23-SP-016-726	23-SP-016-727
Voltage	24 V DC	24 V AC	110/115 V AC	230 V AC/ 110 V DC
Power consumption DC	4.5 W	-	-	5.3 W
Power consumption AC	-	8.0 VA	7.6 VA/ 8.6 VA	7.9 VA
Specifics	enhanced humidity resistance			

Dimensions

Form A according to DIN EN 175301-803



Voltage code

- HN * - * * *				
Manual override	Coil and plug options	Coil type	Manual override position on side of	Voltage
HN detent	0 ATEX 2GD, encapsulated with casting compound width 30 mm	23-SP-037	0 without indication ports 1/3/(5)	0 without indication
HNR detent	1 with coil and plug	according to valve	1 DC ports 1/3/(5)	1 12 V
HNT non-detent	2		2 AC ports 1/3/(5)	2 24 V
	3 with coil, power consumption different from standard, without plug	shape according valve series	3 DC, low power consumption ports 1/3/(5)	3 42 V
	4 with coil, without plug	according to valve	4 DC ports 2/(4)	4 48 V
	5 without coil	no	5 AC ports 2/(4)	5 110 V
	6 without pilot valve	no	6 DC, low power consumption ports 2/(4)	6 115 V
	7 with coil, with enhanced humidity resistance, without plug	according to valve	7 without indication ports 2/(4)	7 230 V
	8 with coil, with enhanced humidity resistance, with plug	according to valve		8 240 V
	9 ATEX 2GD, intrinsically safe, with plug width 30 mm	23-SP-038		9
	A ATEX 3GD, without plug, width 30 mm	23-SP-040		A 4 V
	B ATEX 3GD, with plug, width 30 mm	23-SP-040		B 6 V
	C ATEX 3GD, without plug, width 22 mm	23-SP-041		C 8 V
	D			D 61 V
	E			E 36 V
	F with coil, with enhanced humidity resistance, without plug, low temperature version	23-SP-011-1-711 23-SP-011-1-712		F 9 V
	G			
	H with coil shape B according to DIN EN 175301-803, with plug	23-SP-011-G		
	I with coil shape B according to DIN EN 175301-803, without plug	23-SP-011-G		
	J with coil shape A according to DIN EN 175301-803, without plug (if not standard)	23-SP-016		
	K with coil shape A according to DIN EN 175301-803, with plug (if not standard)	23-SP-016		
	L with coil, with plug with LED and protective circuit	according to valve		
	M with coil, with plug with LED, without protective circuit	according to valve		
	N with coil with M12 connection	according to valve		
	O with coil with M12 connection with LED and protective circuit	according to valve		
	P without connector bridge, without plug			
	Q with coil with with cable	according to valve		
	R with cable up to 1 m length	according to valve		
	S with connector bridge, without plug			
	T			
	U ATEX 2GD, without coil (for coil 23-SP-036)	no		
	V ATEX 2GD, Flame proof enclosures and encapsulated with casting compound	23-SP-045		
	W ATEX 2GD / 3GD, without coil (for coil 23-SP-041 and 23-SP-045)	no		
	X ATEX 3GD, without coil (for coil 23-SP-040 in 230V AC and 115V AC)	no		
	Y ATEX 2GD, without coil (for coil 23-SP-038)	no		
	Z ATEX 2GD / 3GD, without coil (for coil 23-SP-040 in 24V DC and 23-SP-037)	no		

Not all options are suitable for all valve series