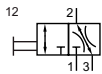


## Technical details

<b>Temperature range</b>	-10°C ... +50°C
<b>Input range</b>	max. 16 bar ( size Y0 max. 12 bar )
<b>Mounting</b>	arbitrary
<b>Medium</b>	compressed air according to ISO 8573-1:2010, neutral gases
<b>Materials</b>	Body: Grivory (PA66), seals: NBR, inner parts: plastic and brass



3/2 directional control valve, operated by a knob, 3-fold.  
Locking: rotary lock and padlock possible.  
Silencer is mounted in exhaust.



## Order code

		<b>KY-**-00-0-0001</b>
Series		←
Connection / Size		←
04	G1/4 / Y0	
14	G1/4 / Y1	
37	G3/8 / Y1	
38	G3/8 / Y2	
12	G1/2 / Y2	
34	G3/4 / Y3	
10	G1 / Y3	

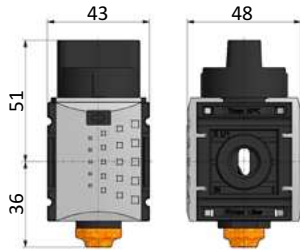
## Technical data

Model-no.:	KY-04-...	KY-14-...	KY-37-...	KY-38-...	KY-12-...	KY-34-...	KY-10-...
<b>Connection</b>	G1/4	G1/4	G3/8	G3/8	G1/2	G3/4	G1
<b>Size</b>	Y0	Y1	Y1	Y2	Y2	Y3	Y3
<b>Flow (1-2 in NI/min)</b>	2300	1900	1900	11000	11000	25000	25000
<b>Weight (kg)</b>	0.10	0.27	0.26	0.54	0.52	1.19	1.15

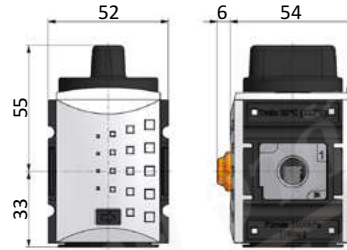
# Ball valve KY

## Dimensions

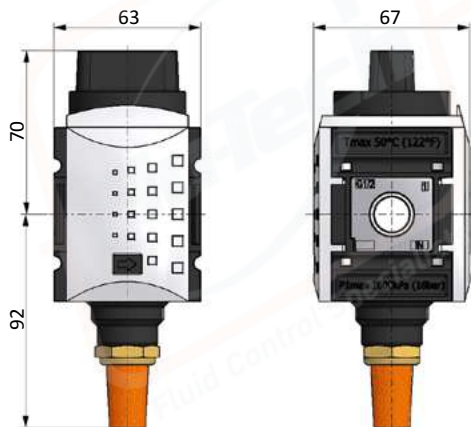
### Size Y0



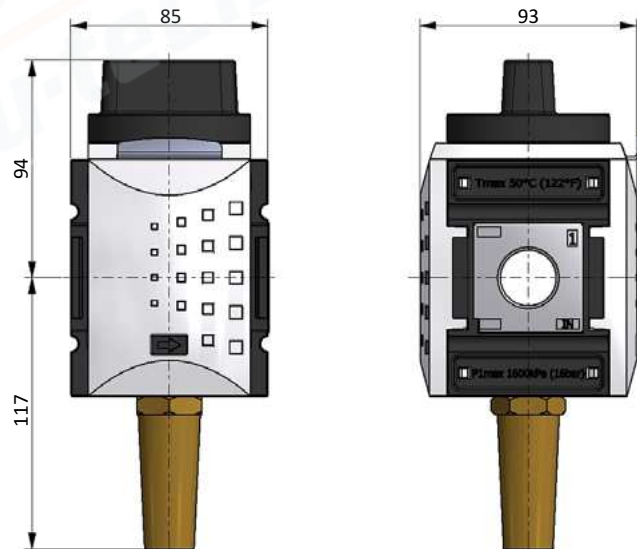
### Size Y1



### Size Y2



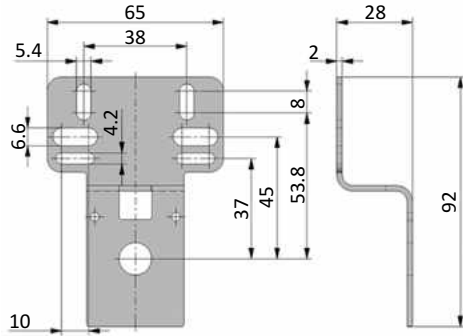
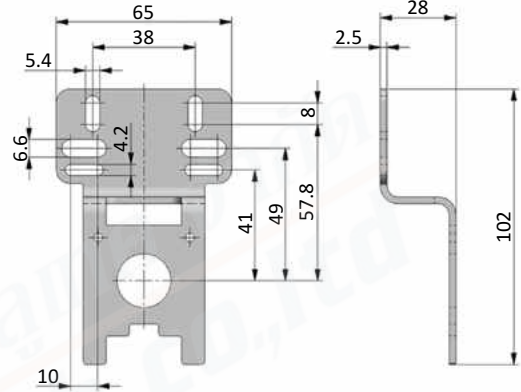
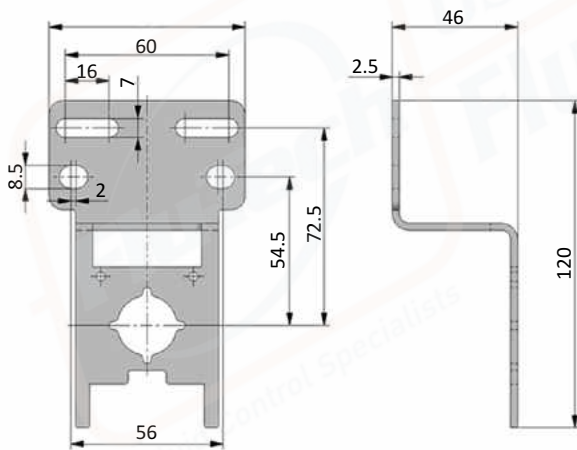
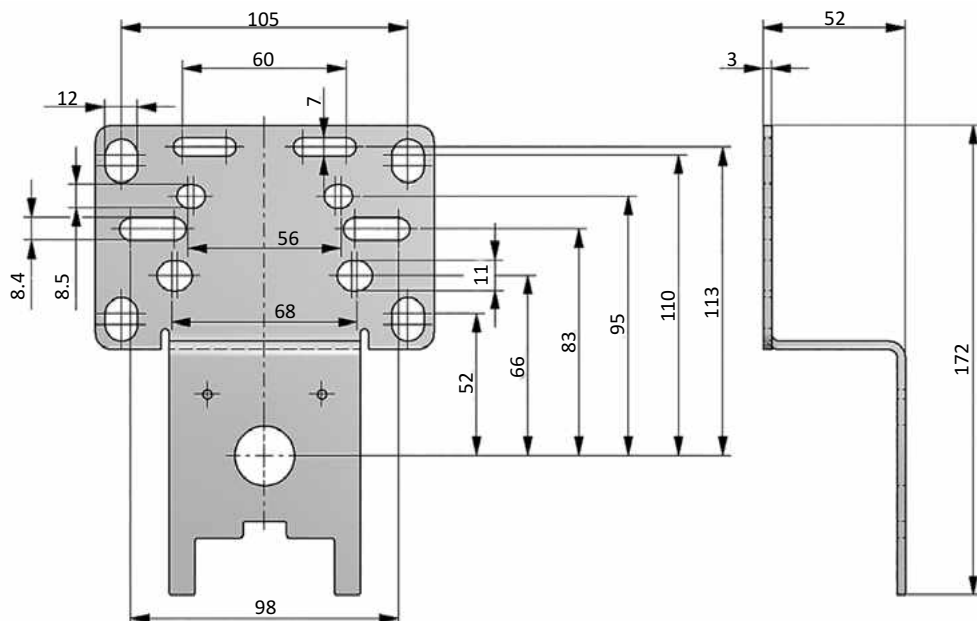
### Size Y3



**Bracket kit WYP**

Bracket kit made of zinc coated steel.

The bracket can be mounted at the rear side after removing the rear cover of the unit. The 2 mounting screws are included.

**WYP-00**

**WYP-01**

**WYP-02**

**WYP-03**


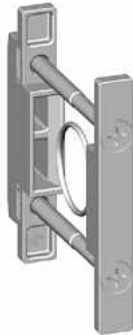
## Coupling kits

### Coupling kits KPY-K

KPY-00-K, KPY-01-K



KPY-02-K

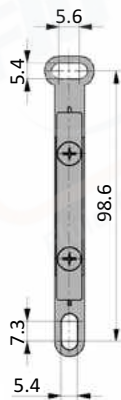
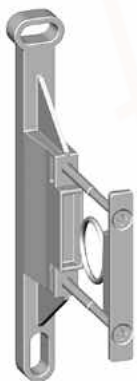


KPY-03-K

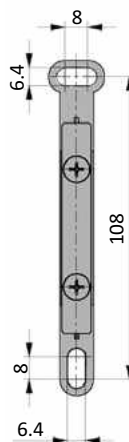


### Coupling kits for wall mounting KPY-W

KPY-00-W, KPY-01-W



KPY-02-W



KPY-03-W

