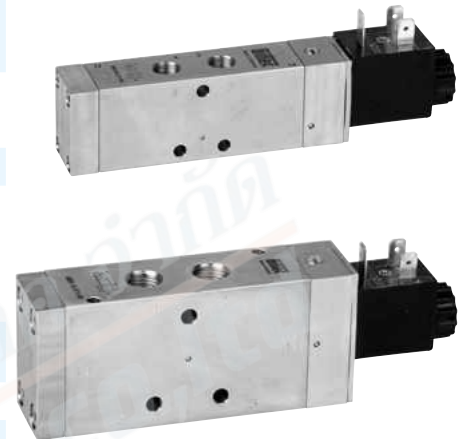


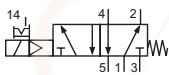
Technical details

Connection	KMX-09: G1/8 KMX-10: G1/4
Nominal size	KMX-09: 6 mm KMX-10: 9 mm
Temperature range	-30°C ... +80°C
Medium	Filtered, oil-free and dried compressed air according to ISO 8573-1:2010, Class 7:2:4, instrument air, free of aggressive additives. Differing the pressure dew point must be at least 10°C below lowest occurring ambient temperature.
Materials	Body: stainless steel 1.4571, seals: FKM and PU, inner parts: stainless steel 1.4305
Protection	IP 65 according to EN 60529
	Valves in accordance with 2014/34/EU (ATEX) available. (Chapter 13)

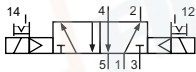


Electrically operated spool valve. The manual override is detent and is operated by screw driver.

5/2-way-valves

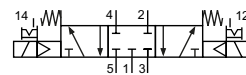


KMX-09-511-HN-xxx
KMX-10-511-HN-xxx
5/2-way, single solenoid, mechanical spring return



KMX-09-520-HN-xxx
KMX-10-520-HN-xxx
5/2-way, double solenoid

5/3-Wege-Ventil



KMX-10-530-HN-xxx
5/3-way, center position closed

Please complete: xxx = electrical option

Electrical options

Nominal voltage	Power consumption	Specifics	Plug connection*1	-XXX Manual override on same side of ports	
				2 and 4	1, 3 and 5
24 V DC	4.2 W		Form B industrial norm	-F42	-F12

*1 Plug socket not included, suitable plug sockets see page 6-03.

Technical data

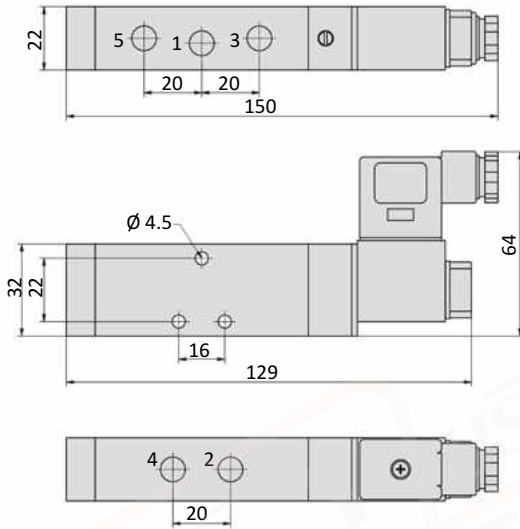
Model-no.:	KMX-09-511	KMX-09-520	KMX-10-511	KMX-10-520	KMX-10-530
Operating pressure (bar)	3 ... 8	3 ... 8	3 ... 8	3 ... 8	3 ... 8
Pilot pressure (bar)	3 ... 8	3 ... 8	3 ... 8	3 ... 8	3 ... 8
Flow rate (NI/min)	810	950	1800	2100	1500
Response time (ms) at 6 bar	on: 13 off: 28	on: 15 off: 15	on: 16 off: 27	on: 18 off: 18	on: 16 off: 22
Weight (kg)	0.231	0.330	0.470	0.630	0.630

Series KMX-09 and KMX-10

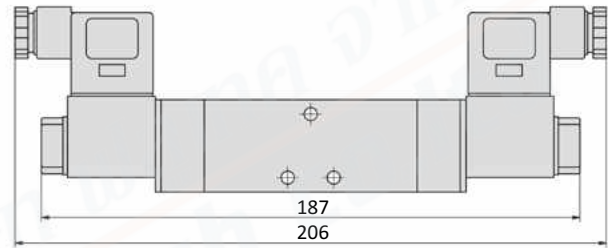


Dimensions

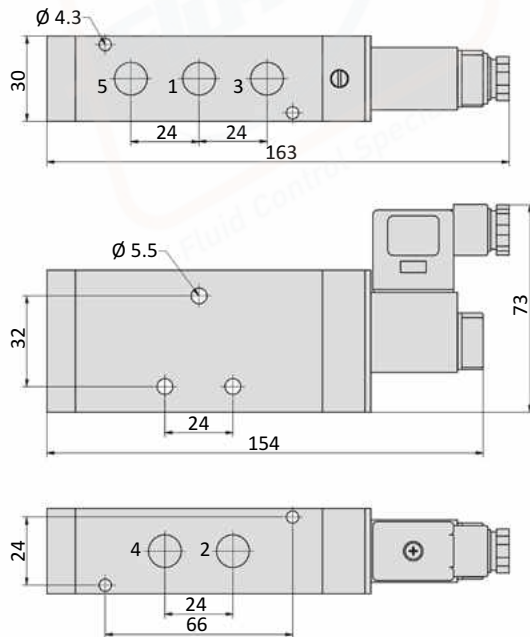
KMX-09-511-HN



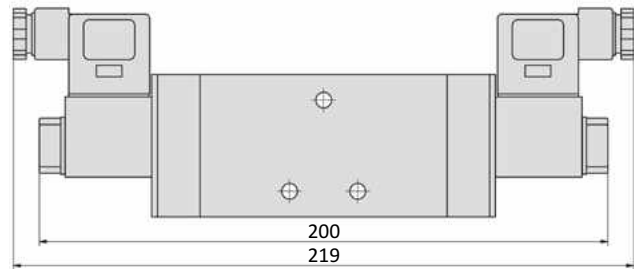
KMX-09-520-HN



KMX-10-511-HN



KMX-10-520-HN, KMX-10-530-HN



- 1 = pressure inlet
- 2,4 = outlets
- 3,5 = exhausts

Plug socket (not included in scope of delivery) can be repositioned by 180°. Solenoid coil can be repositioned.

Form B industrial norm

Overall width	22 mm
Contact distance	11 mm
Contacts	2P + E
Protection	IP 65 according to EN 60529 requires a flat gasket
For use with series	ICK-09, ICK-10, KMX-09, KMX-10, ICKN-55, KNX-55

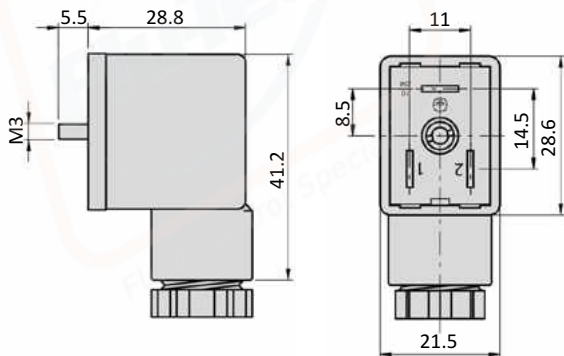


Model-no.:	28-ST-01	28-ST-04-112	28-ST-04-127	28-ST-06-112	28-ST-06-127	28-ST-06-K3-112*	28-ST-06-K3-127*
Voltage (AC/DC)	0 - 250 V	10 - 50 V	70 - 250 V	24 V	230 V	24 V	230 V
Status indicator	no	yes	yes	yes	yes	yes	yes
Protective circuit	no	no	no	yes (varistor)	yes (varistor)	yes (varistor)	yes (varistor)
Connecting cable	without	without	without	without	without	3 m	3 m
Wire cross section	max. 1.5 mm ²	max. 1.5 mm ²	max. 1.5 mm ²	max. 1.5 mm ²	max. 1.5 mm ²	3 x 0.75 mm ²	3 x 0.75 mm ²
Ø Connecting cable	6 - 8 mm	6 - 8 mm	6 - 8 mm	6 - 8 mm	6 - 8 mm		

* These plug sockets are fitted with integrated flat gaskets.

Dimensions

Form B industrial norm



Solenoid coils

Form B industrial norm

Overall width	22 mm
Contact distance	11 mm
Contacts	2P + E
Protection	IP 65 according to EN 60529 with connected plug socket
Duty cycle	100 %
Temperature range*	-50°C ... +80°C
Voltage tolerance	± 10 %
For use with series	ICK-09, ICK-10, KMX-09, KMX-10, ICKN-55, KNX-55



* The max. applicable operating temperature, depends on the temperature specification of the used valve.

Model-no.:	23-SP-011-1-712
Voltage	24 V DC
Power consumption DC	4.2 W
Power consumption AC	-
Specifics	enhanced humidity resistance

Dimensions

Form B industrial norm

